

TRB Insulated Bulkhead 2-Lug Jack Adapter with
Straight Feed-Through Mounting Mechanism



LCCN310-06580

Configuration

- TRB 2-Lug Jack Connector 1
- TRB 2-Lug Jack Connector 2
- Straight Body Geometry
- Bulkhead Mount Method

Electrical Specifications

Description	Minimum	Typical	Maximum	Units
Frequency Range	DC		500	MHz
Operating Voltage (AC)			5,000	Vrms

Mechanical Specifications

Size		
Length	1.35in	34.29mm]
Width	0.75in	[19.05mm]
Height	0.75in	[19.05mm]
Weight	0.066lbs	[29.94g]

Description	Connector 1	Connector 2
Type	TRB 2-Lug Jack	TRB 2-Lug Jack
Polarity	Standard	Standard
Mating Cycles	500	500

Material Specifications

Description	Connector 1		Connector 2	
	Material	Plating	Material	Plating
Type	TRB 2-Lug Jack		TRB 2-Lug Jack	
Insulation	PTFE		PTFE	
Outer Conductor	Beryllium Copper	Gold	Beryllium Copper	Gold
Body	Brass	Nickel	Brass	Nickel
Gasket	Silicone		Silicone	
Washer	Phosphor Bronze	Nickel	Phosphor Bronze	Nickel
Coupling Nut	Brass	Nickel	Brass	Nickel

TRB Insulated Bulkhead 2-Lug Jack Adapter with Straight Feed-Through Mounting Mechanism



LCCN310-06580

Environmental Specifications

Temperature

Operating Range -65°C to +165°C

Compliance Certifications (see [product page](#) for current document)

Plotted and Other Data

TRB Insulated Bulkhead 2-Lug Jack Adapter with Straight Feed-Through Mounting Mechanism from L-com has same day shipment for domestic and International orders. Our portfolio includes coaxial cable assemblies, connectors, adapters and custom products as well as lightning and surge protectors, NEMA rated enclosures, and an RF product line which includes antennas, amplifiers, passive, and active components. The information contained within this document is accurate to the best of our knowledge and representative of the part described herein. It may be necessary to make modifications to the part and/or the documentation of the part in order to impliment improvements. L-com reserves the right to make such changes as required. Unless otherwise stated, all specifications are nominal. L-com does not make any representation or warranty regarding the suitability of the part described herein for any particular purpose, and L-com does not assume liability arising out of the use of any part or document.

The information contained within this document is accurate to the best of our knowledge and representative of the part described herein. It may be necessary to make modifications to the part and/or the documentation of the part in order to impliment improvements. L-com reserves the right to make such changes as required. Unless otherwise stated, all specifications are nominal. L-com does not make any representation or warranty regarding the suitability of the part described herein for any particular purpose, and L-com does not assume liability arising out of the use of any part or document.

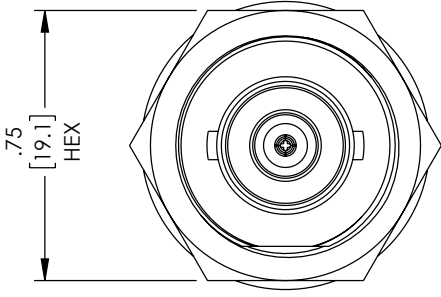
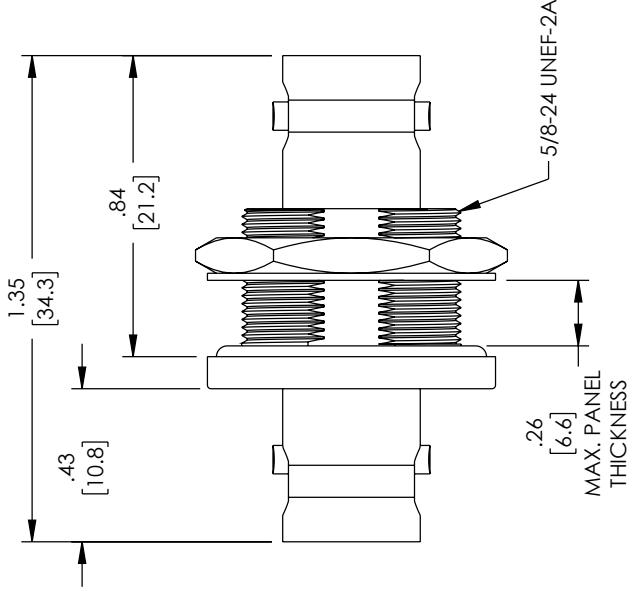
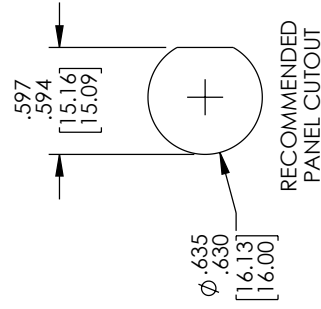
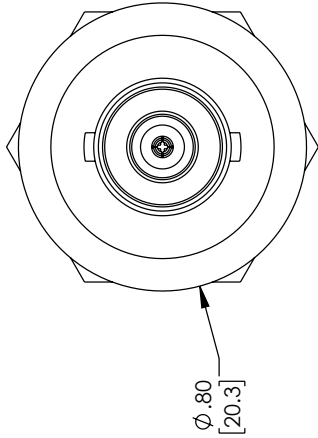
TRB Insulated Bulkhead 2-Lug Jack Adapter with Straight Feed-Through Mounting Mechanism

L-com CAD Drawing

3 4 5 6 7 8

THE INFORMATION CONTAINED IN THIS DRAWING IS THE SOLE PROPERTY OF L-COM, INC. ANY REPRODUCTION IN PART OR WHOLE WITHOUT THE WRITTEN PERMISSION OF L-COM, INC. IS PROHIBITED.

DESCRIPTION	MATERIAL	FINISH
BODY	BRASS	NICKEL
CONTACT	BERYLLIUM COPPER	GOLD
OUTER CONTACT	BRASS	GOLD
PRESS RINGS	BRASS	NICKEL AND GOLD
HEX NUT	BRASS	NICKEL
LOCK WASHER	PHOSPHOR BRONZE	NICKEL
GASKET	SILICONE	-
INSULATOR	PTFE	-



REV	INITIAL RELEASE	DESCRIPTION	DATE	APPROVED
A			03/08/2023	EKMA

UNLESS OTHERWISE SPECIFIED, DIMENSIONS ARE IN INCHES (mm)	APPROVALS	DATE	L-com
OVERALL CABLE LENGTH TOLERANCE: >12 (305) -50 (1254) = +1 (25) / -0 >60 (1524) -5120 (3048) = +2 (51) / -0 >120 (3048) -5300 (17620) = +6 (152) / -0 >300 (7620) = +5% / -0	DRAWN BY DPRIBELLO	03/08/2023	50 High Street, West Mill North Andover, MA 01845 USA. Phone: 1.800.341.5266 1.978.682.6936
ALL OTHER DIMENSIONAL TOLERANCES: X = ± .2 (5) FRACTIONS ± 1/32 .XX = ± .02 (1.3) .XXX = ± .005 (1.3)	CHECKED BY BRIUCHASKI	03/08/2023	an INFINITI [®] brand
THIRD-ANGLE PROJECTION	APPROVED BY EKMA	03/08/2023	COAXIAL
	PRODUCT DESCRIPTION TRB INSUL BULKJACK JACK 2-LUG STRAIGHT THRU		
	SIZE A	CAGE CODE 43321	ITEM NO. LCCN310-06580
	COLOR VARIATIONS MAY OCCUR		REV. A
	SCALE: NONE	CAD FILE: LCCN310-06580.3.DDDRW	SHEET 1 OF 1

NOTES:

- IMPEDANCE: NON-CONSTANT
- FREQUENCY RANGE: DC TO 500 MHZ
- VOLTAGE RATING: (AC): 5,000 Vrms
- OPERATING TEMPERATURE RANGE: -65°C TO +165°C
- COMPONENT SHALL BE INDIVIDUALLY PACKAGED IN ACCORDANCE WITH L-COM SPECIFICATION PS-0031.
- REGULATORY COMPLIANCE: EU RoHS DIRECTIVE (MOST RECENT RELEASED VERSION)