

18 GHz SMA Male Connector Solder Attachment for
.141 Semi-Rigid, LC141TB, LC141TBJ, RG402



LCCN3176

Configuration

- SMA Male Connector
- 50 Ohms
- Straight Body Geometry
- .141 Semi-rigid, LC141TB, LC141TBJ, .141 Semi-rigid, RG402 Interface Type
- Solder Attachment
- 5/16 inch Hex

Description

The L-com LCCN3176 SMA male connector has a brass body for telecommunications, data communication, general-purpose test, industrial fields, and rack and panel mount applications. This RF connector has a straight body style and is available for next day shipping. This threaded standard coaxial connector works on a maximum frequency of 18 GHz.

The 18 GHz SMA connector is available in a 0.441 inch length, 0.315-inch width, and 0.315-inch height. The .141 semi-rigid coax connector allows developers to configure and customize their signal connections however they desire. This SMA connector with solder attachment has a high-quality construction and an impedance of 50 ohms.

The LCCN3176 .141 semi-rigid coax RF connector has gold over nickel body plating. This 18 GHz brass coaxial connector comes with PTFE insulation. The SMA male connector weighs 0.008 pounds and is most used in USB software-defined radio dongles, handheld radios, mobile phone antennas, Wi-Fi antenna systems, and microwave systems.

L-com has the largest in-stock selection of RF and coaxial connectors with same-day shipping for domestic and international orders. We currently have a variety of antenna, audio/video, Ethernet, fiber optic, and USB connectors in our portfolio that are ready to ship today. For further information on similar products, our expert technical support and knowledgeable sales team can help you get the high-quality RF connector that meets your requirements.

Electrical Specifications

Description	Minimum	Typical	Maximum	Units
Frequency Range	DC		18	GHz

Mechanical Specifications

Size

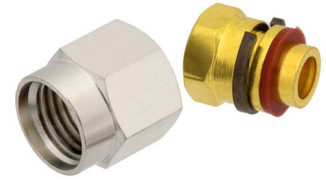
Length	0.441in	[11.2mm]
Width/Dia.	0.315in	[8.00mm]
Height	0.315in	[8mm]
Weight	0.008lbs	[3.63g]
Mating Torque	8 to 10in-lbs	0.90 to 1.13Nm

Material Specifications

Description	Material	Plating
Body	Brass	Gold over Nickel
Coupling Nut	Passivated Stainless Steel	

Click the following link (or enter part number in "SEARCH" on website) to obtain additional part information including price, inventory and certifications:
[18 GHz SMA Male Connector Solder Attachment for .141 Semi-Rigid, LC141TB, LC141TBJ, RG402 LCCN3176](#)

18 GHz SMA Male Connector Solder Attachment for
.141 Semi-Rigid, LC141TB, LC141TBJ, RG402



LCCN3176

Environmental Specifications

Compliance Certifications (see [product page](#) for current document)

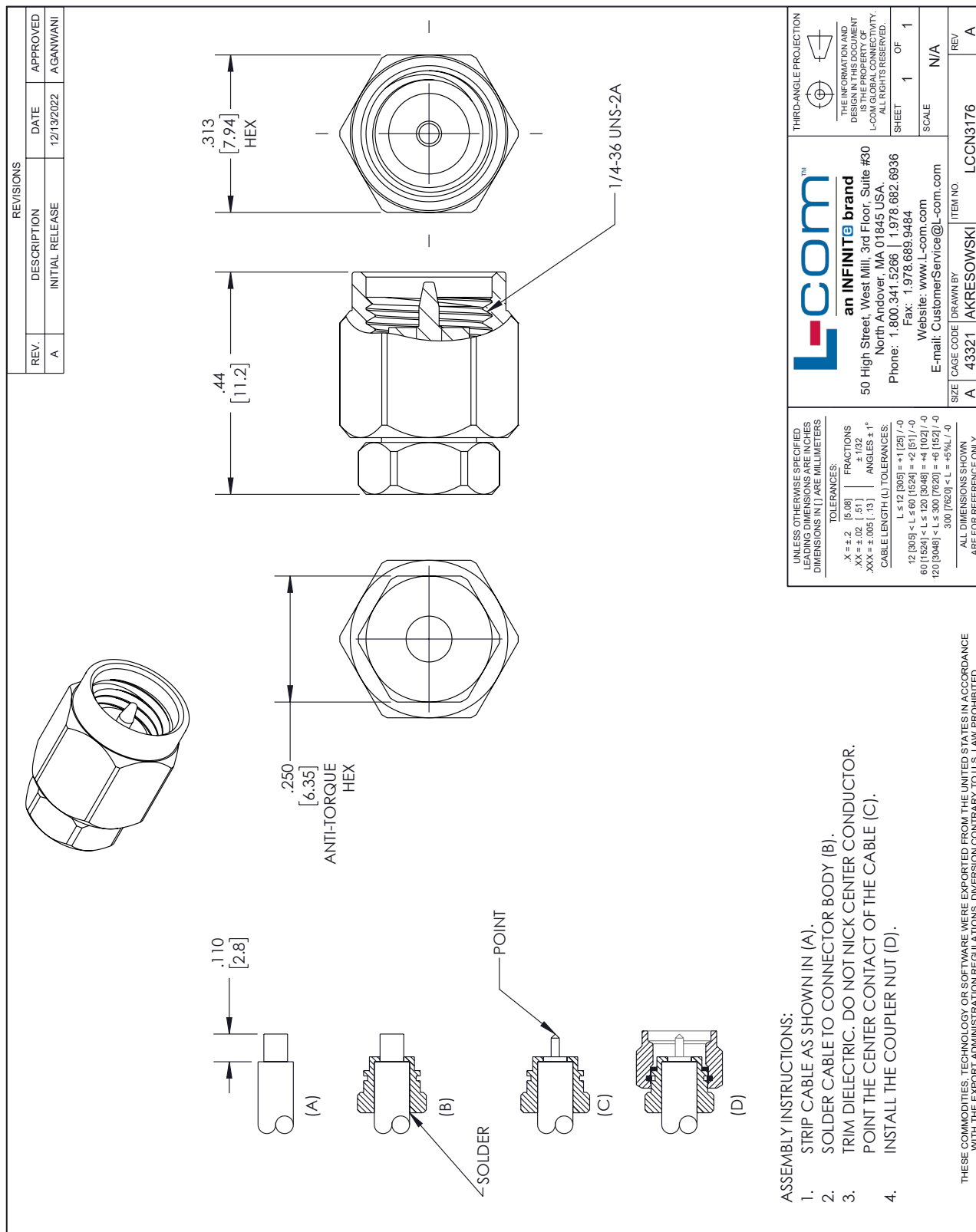
Plotted and Other Data

18 GHz SMA Male Connector Solder Attachment for .141 Semi-Rigid, LC141TB, LC141TBJ, RG402 from L-com has same day shipment for domestic and International orders. Our portfolio includes coaxial cable assemblies, connectors, adapters and custom products as well as lightning and surge protectors, NEMA rated enclosures, and an RF product line which includes antennas, amplifiers, passive, and active components. Click the following link (or enter part number in "SEARCH" on website) to obtain additional part information including price, inventory and certifications: 18 GHz SMA Male Connector Solder Attachment for .141 Semi-Rigid, LC141TB, LC141TBJ, RG402 LCCN3176

URL: <https://www.l-com.com/18-ghz-sma-male-connector-solder-attachment-.141-semi-rigid-lc141tb-lc141tbj-rg402-lccn3176-p.aspx>

The information contained within this document is accurate to the best of our knowledge and representative of the part described herein. It may be necessary to make modifications to the part and/or the documentation of the part in order to implement improvements. L-com reserves the right to make such changes as required. Unless otherwise stated, all specifications are nominal. L-com does not make any representation or warranty regarding the suitability of the part described herein for any particular purpose, and L-com does not assume liability arising out of the use of any part or document. The information contained within this document is accurate to the best of our knowledge and representative of the part described herein. It may be necessary to make modifications to the part and/or the documentation of the part in order to implement improvements. L-com reserves the right to make such changes as required. Unless otherwise stated, all specifications are nominal. L-com does not make any representation or warranty regarding the suitability of the part described herein for any particular purpose, and L-com does not assume liability arising out of the use of any part or document.

L-com CAD Drawing



L-comTM
an INFINITE brand

50 High Street, West Mill, 3rd Floor, Suite #30
North Andover, MA 01845, USA.
Phone: 1.800.341.5266 | 1.978.682.6936
Fax: 1.978.689.9484
E-mail: CustomerService@l-com.com
Website: www.l-com.com

THIRD-ANGLE PROJECTION

THE INFORMATION AND DIMENSIONS SHOWN ON THIS DRAWING IS THE PROPERTY OF L-COM GLOBAL CONNECTIVITY. ALL RIGHTS RESERVED.
SHEET 1 OF 1
SCALE N/A

SIZE	CAGE CODE	DRAWN BY	ITEM NO.	REV
A	43321	AKRESOWSKI	LCCN3176	A

UNLESS OTHERWISE SPECIFIED LEADING DIMENSIONS ARE IN INCHES DIMENSIONS IN [] ARE MILLIMETERS

TOLERANCES:
 .X = ±.2 [5.08] FRACTIONS ± 1/32
 .XX = ±.02 [.51] ANGLES ± 1°
 .XXX = ±.005 [.13] CABLE LENGTH (L) TOLERANCES:
 L ≤ 12 [305] < L ≤ 60 [1524] = ±1 [25] / -0
 60 [1524] < L ≤ 120 [3048] = +4 [102] / -0
 120 [3048] < L ≤ 300 [7620] = +6 [152] / -0
 300 [7620] < L = +5%L / -0

ALL DIMENSIONS SHOWN ARE FOR REFERENCE ONLY.