

18 GHz SMA Male Precision Connector Clamp/Solder Attachment for 300 Low Loss, .490 inch Diameter Body



LCCN3189

Configuration

- SMA Male Connector
- MIL-STD-348
- 50 Ohms
- Straight Body Geometry
- 300 Loss Loss Interface Type
- Clamp/Solder Attachment
- 5/16 Inch Hex
- Precision Design

Description

The L-com LCCN3189 SMA male connector has a passivated stainless steel body for telecommunications, data communication, general-purpose test, industrial fields, and rack and panel mount applications. This RF connector has a right angle body style and beryllium copper contact with gold plating. This threaded standard coaxial connector works on a maximum frequency of 18 GHz and provides an excellent maximum VSWR of 1.4.

The 18 GHz SMA connector is available in a 1.610-inch length, 0.491-inch width, and 0.491-inch height. The 300 low loss coax connector allows developers to configure and customize their signal connections however they desire. This SMA connector with clamp/solder attachment has a high-quality construction and an impedance of 50 ohms.

The LCCN3189 300 low loss coax RF connector facilitates RF connectivity between boards and several microwave components including filters, attenuators, mixers, and oscillators. This 18 GHz passivated stainless steel coaxial connector comes with PTFE insulation. The SMA male connector weighs 0.013 pounds and is most used in USB software-defined radio dongles, handheld radios, mobile phone antennas, Wi-Fi antenna systems, and microwave systems.

L-com has the largest in-stock selection of RF and coaxial connectors with same-day shipping for domestic and international orders. We currently have a variety of antenna, audio/video, Ethernet, fiber optic, and USB connectors in our portfolio that are ready to ship today. For further information on similar products, our expert technical support and knowledgeable sales team can help you get the high-quality RF connector that meets your requirements.

Electrical Specifications

Description	Minimum	Typical	Maximum	Units
Frequency Range	DC		18	GHz
VSWR			1.4:1	

Mechanical Specifications

Size

Length	1.61in	[40.89mm]
Width/Dia.	0.491in	[12.47mm]
Height	0.491in	[12.47mm]
Weight	0.013lbs	[5.9g]

Material Specifications

Description	Material	Plating
-------------	----------	---------

Click the following link (or enter part number in "SEARCH" on website) to obtain additional part information including price, inventory and certifications:
[18 GHz SMA Male Precision Connector Clamp/Solder Attachment for 300 Low Loss, .490 inch Diameter Body LCCN3189](#)

18 GHz SMA Male Precision Connector Clamp/Solder Attachment for 300 Low Loss, .490 inch Diameter Body



LCCN3189

Contact	Beryllium Copper	Gold ASTM-B488 50 µin
Insulation	PTFE	
Body	Passivated Stainless Steel	SAE-AMS-2700
Coupling Nut	Passivated Stainless Steel	SAE-AMS-2700
Gasket	Silicone Rubber	

Environmental Specifications

Temperature

Operating Range

-55deg C to +160deg C

Click the following link (or enter part number in "SEARCH" on website) to obtain additional part information including price, inventory and certifications:
[18 GHz SMA Male Precision Connector Clamp/Solder Attachment for 300 Low Loss, .490 inch Diameter Body LCCN3189](#)

18 GHz SMA Male Precision Connector Clamp/Solder
Attachment for 300 Low Loss, .490 inch Diameter Body



LCCN3189

Compliance Certifications (see [product page](#) for current document)

Plotted and Other Data

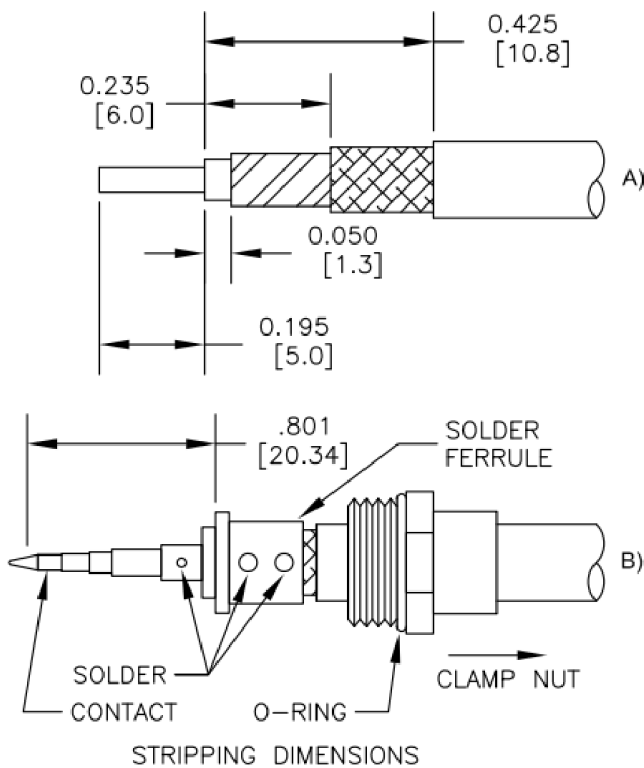
Assembly Instruction

Click the following link (or enter part number in "SEARCH" on website) to obtain additional part information including price, inventory and certifications:
[18 GHz SMA Male Precision Connector Clamp/Solder Attachment for 300 Low Loss, .490 inch Diameter Body LCCN3189](#)

18 GHz SMA Male Precision Connector Clamp/Solder Attachment for 300 Low Loss, .490 inch Diameter Body



LCCN3189



ASSEMBLY PROCEDURES

1. STRIP CABLE AS SHOWN IN (A). DO NOT NICK DIELECTRIC.
2. SLIDE CLAMP NUT OVER CABLE AS SHOWN IN (B). INSERT CABLE INTO SOLDER FERRULE UNTIL CABLE DIELECTRIC IS FLUSH WITH FACE OF FERRULE. THEN SOLDER BOTH CABLE BRAIDS WHERE SHOWN.
3. SCREW ASSEMBLY INTO BODY & TIGHTEN NUT.

Click the following link (or enter part number in "SEARCH" on website) to obtain additional part information including price, inventory and certifications:
18 GHz SMA Male Precision Connector Clamp/Solder Attachment for 300 Low Loss, .490 inch Diameter Body LCCN3189

18 GHz SMA Male Precision Connector Clamp/Solder
Attachment for 300 Low Loss, .490 inch Diameter Body



LCCN3189

18 GHz SMA Male Precision Connector Clamp/Solder Attachment for 300 Low Loss, .490 inch Diameter Body from L-com has same day shipment for domestic and International orders. Our portfolio includes coaxial cable assemblies, connectors, adapters and custom products as well as lightning and surge protectors, NEMA rated enclosures, and an RF product line which includes antennas, amplifiers, passive, and active components. Click the following link (or enter part number in "SEARCH" on website) to obtain additional part information including price, inventory and certifications: 18 GHz SMA Male Precision Connector Clamp/Solder Attachment for 300 Low Loss, .490 inch Diameter Body LCCN3189

URL: <https://www.l-com.com/18-ghz-sma-male-precision-connector-clamp-solder-attachment-300-low-loss-.490-inch-diameter-body-lccn3189-p.aspx>

The information contained within this document is accurate to the best of our knowledge and representative of the part described herein. It may be necessary to make modifications to the part and/or the documentation of the part in order to implement improvements. L-com reserves the right to make such changes as required. Unless otherwise stated, all specifications are nominal. L-com does not make any representation or warranty regarding the suitability of the part described herein for any particular purpose, and L-com does not assume liability arising out of the use of any part or document. The information contained within this document is accurate to the best of our knowledge and representative of the part described herein. It may be necessary to make modifications to the part and/or the documentation of the part in order to implement improvements. L-com reserves the right to make such changes as required. Unless otherwise stated, all specifications are nominal. L-com does not make any representation or warranty regarding the suitability of the part described herein for any particular purpose, and L-com does not assume liability arising out of the use of any part or document.

18 GHz SMA Male Precision Connector Clamp/Solder Attachment for 300 Low Loss, .490 inch Diameter Body

L-com CAD Drawing

