

18 GHz SMA Male Connector Solder Attachment  
2 Hole Flange Mount Solder Cup Terminal



**LCCN3193**

**Configuration**

- SMA Male Connector
- MIL-STD-348A
- 50 Ohms
- Straight Body Geometry
- Solder Cup Interface Type
- Solder Attachment
- 2 Hole Flange
- 5/16 inch Hex

**Description**

The L-com LCCN3193 SMA male connector has a brass body for telecommunications, data communication, general-purpose test, industrial fields, and rack and panel mount applications. This RF connector has a straight body style and brass contact with gold plating. This threaded standard coaxial connector works on a maximum frequency of 18 GHz and provides an excellent maximum VSWR of 1.23.

The 18 GHz SMA connector is available in a 0.709-inch length, 0.315-inch width, and 0.630-inch height. This straight coaxial connector has 2 hole flange mount. The solder cup terminal connector allows developers to configure and customize their signal connections however they desire. This SMA connector with crimp/solder attachment has a high-quality construction and an impedance of 50 ohms.

The LCCN3193 solder cup terminal RF connector with 2 hole flange mount has gold body plating. This 18 GHz brass coaxial connector comes with PTFE insulation. The SMA male connector weighs 0.007 pounds and is most used in USB software-defined radio dongles, handheld radios, mobile phone antennas, Wi-Fi antenna systems, and microwave systems.

L-com has the largest in-stock selection of RF and coaxial connectors with same-day shipping for domestic and international orders. We currently have a variety of antenna, audio/video, Ethernet, fiber optic, and USB connectors in our portfolio that are ready to ship today. For further information on similar products, our expert technical support and knowledgeable sales team can help you get the high-quality RF connector that meets your requirements.

**Electrical Specifications**

Description	Minimum	Typical	Maximum	Units
Frequency Range	DC		18	GHz
VSWR			1.23:1	
Operating Voltage (AC)			500	Vrms

**Mechanical Specifications**

**Size**

Length	0.709in	[18.01mm]
Width/Dia.	0.315in	[8.00mm]
Height	0.63in	[16mm]
Weight	0.007lbs	[3.18g]

**Material Specifications**

Description	Material	Plating
-------------	----------	---------

Click the following link (or enter part number in "SEARCH" on website) to obtain additional part information including price, inventory and certifications:  
[18 GHz SMA Male Connector Solder Attachment 2 Hole Flange Mount Solder Cup Terminal LCCN3193](#)

18 GHz SMA Male Connector Solder Attachment  
2 Hole Flange Mount Solder Cup Terminal



**LCCN3193**

Contact	Brass	Gold 50μ in. minimum
Insulation	Teflon	
Body	Brass	Gold 3μ in. minimum
Coupling Nut	Brass	Nickel 3μ in. minimum

**Environmental Specifications**

**Temperature**

Operating Range

-65deg C to +165deg C

**Compliance Certifications** (see [product page](#) for current document)

**Plotted and Other Data**

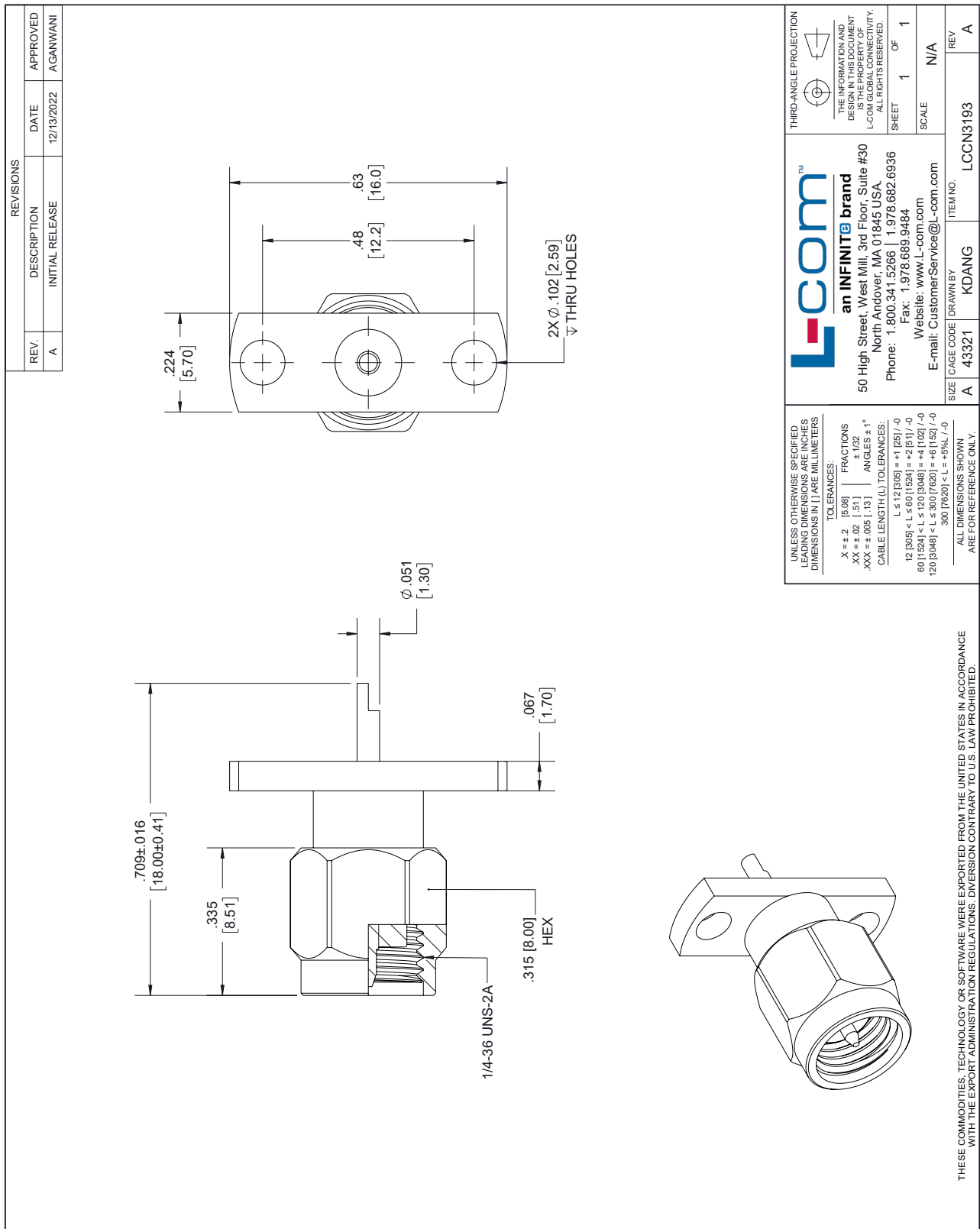
18 GHz SMA Male Connector Solder Attachment 2 Hole Flange Mount Solder Cup Terminal from L-com has same day shipment for domestic and International orders. Our portfolio includes coaxial cable assemblies, connectors, adapters and custom products as well as lightning and surge protectors, NEMA rated enclosures, and an RF product line which includes antennas, amplifiers, passive, and active components. Click the following link (or enter part number in "SEARCH" on website) to obtain additional part information including price, inventory and certifications: 18 GHz SMA Male Connector Solder Attachment 2 Hole Flange Mount Solder Cup Terminal LCCN3193

URL: <https://www.l-com.com/18-ghz-sma-male-connector-solder-attachment-2-hole-flange-mount-solder-cup-terminal-lccn3193-p.aspx>

The information contained within this document is accurate to the best of our knowledge and representative of the part described herein. It may be necessary to make modifications to the part and/or the documentation of the part in order to impliment improvements. L-com reserves the right to make such changes as required. Unless otherwise stated, all specifications are nominal. L-com does not make any representation or warranty regarding the suitability of the part described herein for any particular purpose, and L-com does not assume liability arising out of the use of any part or document. It may be necessary to make modifications to the part and/or the documentation of the part in order to impliment improvements. L-com reserves the right to make such changes as required. Unless otherwise stated, all specifications are nominal. L-com does not make any representation or warranty regarding the suitability of the part described herein for any particular purpose, and L-com does not assume liability arising out of the use of any part or document.

# 18 GHz SMA Male Connector Solder Attachment 2 Hole Flange Mount Solder Cup Terminal

## L-com CAD Drawing



**L-com™**  
an INFINIT® brand

50 High Street, West Mill, 3rd Floor, Suite #30  
North Andover, MA 01845 USA.  
Phone: 1.800.341.5266 | 1.978.682.6936  
Fax: 1.978.689.9484  
Website: www.L-com.com  
E-mail: CustomerService@L-com.com

SCALE: N/A  
SHEET 1 OF 1

DRAWN BY: KDANG  
ITEM NO.: LCCN3193

CAGE CODE: A 43321

THIRD-ANGLE PROJECTION

THE INFORMATION AND DESIGN ARE THE PROPERTY OF L-COM GLOBAL CONNECTIVITY. ALL RIGHTS RESERVED.

T-Rev.D