

12.4 GHz SMA Female Bulkhead Mount Connector Crimp/
Solder Attachment for RG58, RG303, LMR-195, 195 Series



LCCN3195

Configuration

- SMA Female Connector
- MIL-STD-348A
- 50 Ohms
- Straight Body Geometry
- RG58, RG303, LMR-195, 195 series Interface Type
- Crimp/Solder Attachment
- Bulkhead

Description

The L-com LCCN3195 SMA female connector has a brass body for telecommunications, data communication, general-purpose test, industrial fields, and rack and panel mount applications. This RF connector has a straight body style and beryllium copper contact with gold plating. This threaded standard coaxial connector works on a maximum frequency of 12.4 GHz and provides an excellent maximum VSWR of 1.28.

The 12.4 GHz SMA connector is available in a 0.795-inch length, 0.433-inch width, and 0.433-inch height. This straight coaxial connector has bulkhead mount. The RG58 coax connector allows developers to configure and customize their signal connections however they desire. This SMA connector with crimp/solder attachment has a high-quality construction and an impedance of 50 ohms.

The LCCN3195 RG58 coax RF connector with bulkhead mount has gold body plating. This 12.4 GHz brass coaxial connector comes with PTFE insulation. The SMA female connector weighs 0.032 pounds and is most used in USB software-defined radio dongles, hand-held radios, mobile phone antennas, Wi-Fi antenna systems, and microwave systems.

L-com has the largest in-stock selection of RF and coaxial connectors with same-day shipping for domestic and international orders. We currently have a variety of antenna, audio/video, Ethernet, fiber optic, and USB connectors in our portfolio that are ready to ship today. For further information on similar products, our expert technical support and knowledgeable sales team can help you get the high-quality RF connector that meets your requirements.

Electrical Specifications

Description	Minimum	Typical	Maximum	Units
Frequency Range	DC		12.4	GHz
VSWR			1.28:1	
Operating Voltage (AC)			500	Vrms

Mechanical Specifications

Size

Length	0.795in	[20.19mm]
Width/Dia.	0.433in	[11.00mm]
Height	0.433in	[11mm]
Weight	0.032lbs	[14.51g]

Material Specifications

Description	Material	Plating
-------------	----------	---------

Click the following link (or enter part number in "SEARCH" on website) to obtain additional part information including price, inventory and certifications:
[12.4 GHz SMA Female Bulkhead Mount Connector Crimp/Solder Attachment for RG58, RG303, LMR-195, 195 Series LCCN3195](#)

12.4 GHz SMA Female Bulkhead Mount Connector Crimp/
Solder Attachment for RG58, RG303, LMR-195, 195 Series



LCCN3195

Contact	Beryllium Copper	Gold 50μ in. minimum
Insulation	Teflon	
Outer Conductor	Brass	Gold 3μ in. minimum
Body	Brass	Gold 3μ in. minimum

Environmental Specifications

Temperature

Operating Range

-20deg C to +80deg C

Click the following link (or enter part number in "SEARCH" on website) to obtain additional part information including price, inventory and certifications:
[12.4 GHz SMA Female Bulkhead Mount Connector Crimp/Solder Attachment for RG58, RG303, LMR-195, 195 Series LCCN3195](#)

12.4 GHz SMA Female Bulkhead Mount Connector Crimp/
Solder Attachment for RG58, RG303, LMR-195, 195 Series

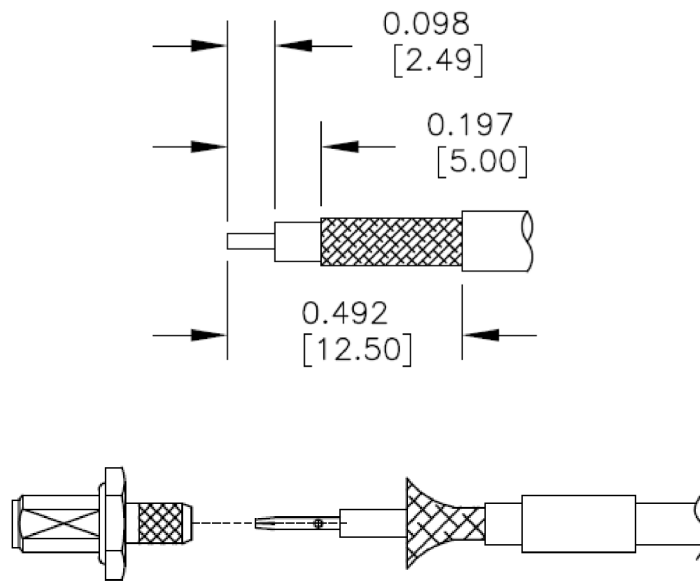
LCCN3195



Compliance Certifications (see [product page](#) for current document)

Plotted and Other Data

Assembly Instruction



ASSEMBLY PROCEDURES

1. STRIP CABLE TO THE DIMENSIONS SHOWN, DO NOT NICK CENTER CONDUCTOR OR BRAID.
2. SLIDE FERRULE ONTO CABLE.
3. PUSH CENTER CONDUCTOR FULLY INTO CONTACT AND SOLDER, REMOVE ANY EXCESS SOLDER.
4. FLARE BRAID AND INSERT CONTACT INTO THE BODY UNTIL IT SEATS.
5. SLIDE FERRULE OVER BRAID AND CRIMP WITH .216" [5.5] HEX. CRIMP TOOL.

Click the following link (or enter part number in "SEARCH" on website) to obtain additional part information including price, inventory and certifications:
[12.4 GHz SMA Female Bulkhead Mount Connector Crimp/Solder Attachment for RG58, RG303, LMR-195, 195 Series LCCN3195](#)

12.4 GHz SMA Female Bulkhead Mount Connector Crimp/
Solder Attachment for RG58, RG303, LMR-195, 195 Series

LCCN3195



12.4 GHz SMA Female Bulkhead Mount Connector Crimp/Solder Attachment for RG58, RG303, LMR-195, 195 Series from L-com has same day shipment for domestic and International orders. Our portfolio includes coaxial cable assemblies, connectors, adapters and custom products as well as lightning and surge protectors, NEMA rated enclosures, and an RF product line which includes antennas, amplifiers, passive, and active components. Click the following link (or enter part number in "SEARCH" on website) to obtain additional part information including price, inventory and certifications: 12.4 GHz SMA Female Bulkhead Mount Connector Crimp/Solder Attachment for RG58, RG303, LMR-195, 195 Series LCCN3195

URL: <https://www.l-com.com/12.4-ghz-sma-female-bulkhead-mount-connector-crimp-solder-attachment-rg58-rg303-lmr-195-195-series-lccn3195-p.aspx>

The information contained within this document is accurate to the best of our knowledge and representative of the part described herein. It may be necessary to make modifications to the part and/or the documentation of the part in order to implement improvements. L-com reserves the right to make such changes as required. Unless otherwise stated, all specifications are nominal. L-com does not make any representation or warranty regarding the suitability of the part described herein for any particular purpose, and L-com does not assume liability arising out of the use of any part or document. The information contained within this document is accurate to the best of our knowledge and representative of the part described herein. It may be necessary to make modifications to the part and/or the documentation of the part in order to implement improvements. L-com reserves the right to make such changes as required. Unless otherwise stated, all specifications are nominal. L-com does not make any representation or warranty regarding the suitability of the part described herein for any particular purpose, and L-com does not assume liability arising out of the use of any part or document.

12.4 GHz SMA Female Bulkhead Mount Connector Crimp/Solder Attachment for RG58, RG303, LMR-195, 195 Series

L-com CAD Drawing

