

18 GHz SMA Female Bulkhead Mount Connector Solder Attachment Thru Hole PCB, .235 inch D Hole



LCCN3201

Configuration

- SMA Female Connector
- MIL-STD-348A
- 50 Ohms
- Straight Body Geometry
- Thru Hole Interface Type
- Solder Attachment
- Bulkhead

Description

The L-com LCCN3201 SMA female connector has a brass body for telecommunications, data communication, general-purpose test, industrial fields, and rack and panel mount applications. This RF connector has a straight body style and beryllium copper contact with gold plating. This threaded standard coaxial connector works on a maximum frequency of 18 GHz.

The 18 GHz SMA connector is available in a 0.717-inch length, 0.315-inch width, and 0.315-inch height. This straight coaxial connector has bulkhead mount. The thru hole PCB connector allows developers to configure and customize their signal connections however they desire. This SMA connector with solder attachment has a high-quality construction and an impedance of 50 ohms.

The LCCN3201 thru hole PCB RF connector with bulkhead mount has gold body plating. This 18 GHz brass coaxial connector comes with PTFE insulation. The SMA female connector weighs 0.007 pounds and is most used in USB software-defined radio dongles, hand-held radios, mobile phone antennas, Wi-Fi antenna systems, and microwave systems.

L-com has the largest in-stock selection of RF and coaxial connectors with same-day shipping for domestic and international orders. We currently have a variety of antenna, audio/video, Ethernet, fiber optic, and USB connectors in our portfolio that are ready to ship today. For further information on similar products, our expert technical support and knowledgeable sales team can help you get the high-quality RF connector that meets your requirements.

Electrical Specifications

Description	Minimum	Typical	Maximum	Units
Frequency Range	DC		18	GHz
Operating Voltage (AC)			335	Vrms
Dielectric Withstanding Voltage (AC)			1,000	Vrms

Mechanical Specifications

Size

Length	0.717in	[18.21mm]
Width/Dia.	0.315in	[8.00mm]
Height	0.315in	[8mm]
Weight	0.007lbs	[3.18g]
Mating Cycles	100Cycles	

Material Specifications

Description	Material	Plating
-------------	----------	---------

Click the following link (or enter part number in "SEARCH" on website) to obtain additional part information including price, inventory and certifications:
[18 GHz SMA Female Bulkhead Mount Connector Solder Attachment Thru Hole PCB, .235 inch D Hole LCCN3201](#)

18 GHz SMA Female Bulkhead Mount Connector Solder Attachment Thru Hole PCB, .235 inch D Hole



LCCN3201

Contact	Beryllium Copper	Gold ASTM-B488
Insulation	PTFE	
Body	Brass	Gold ASTM-B488

Environmental Specifications

Temperature

Operating Range -65deg C to +165deg C

Compliance Certifications (see [product page](#) for current document)

Plotted and Other Data

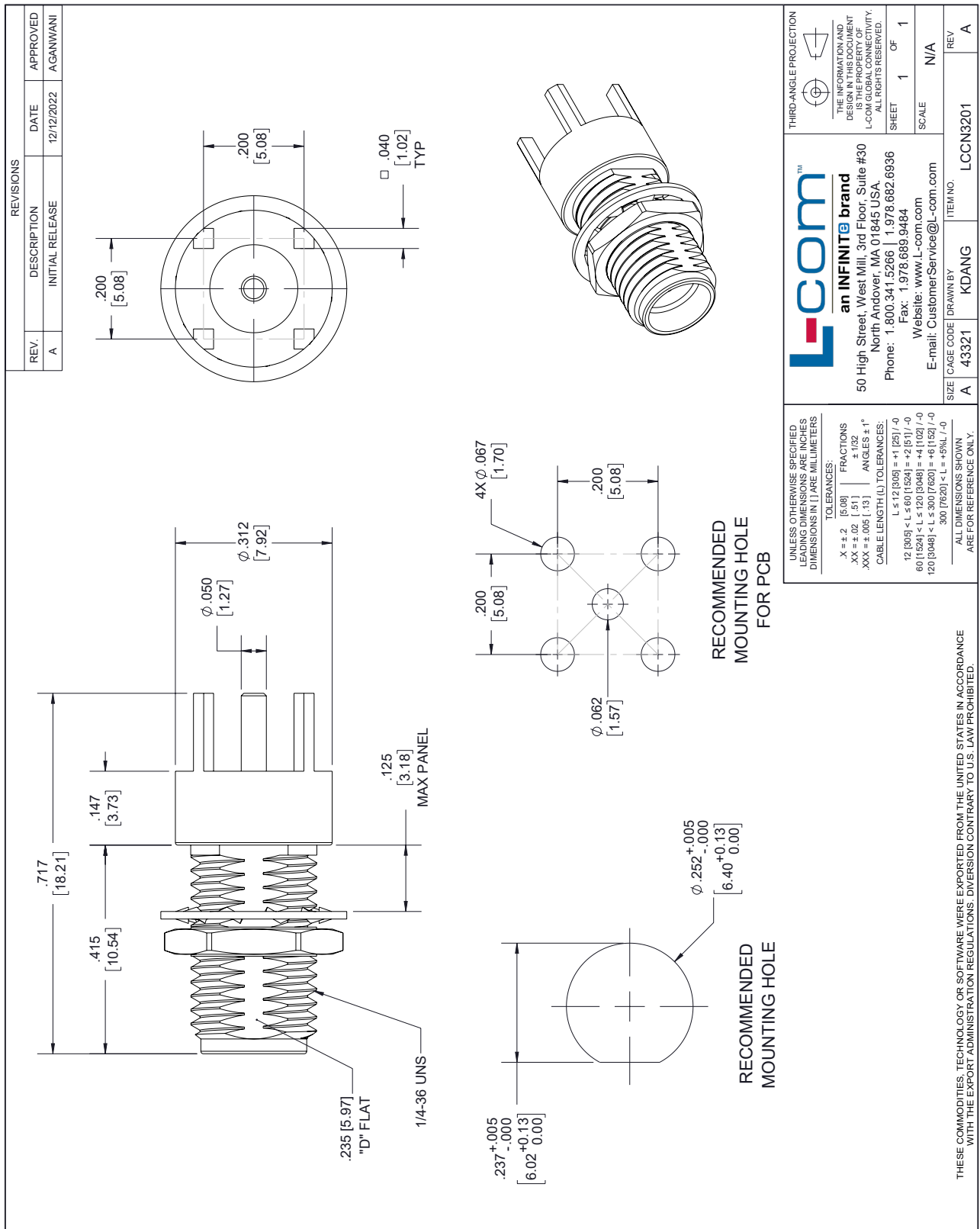
18 GHz SMA Female Bulkhead Mount Connector Solder Attachment Thru Hole PCB, .235 inch D Hole from L-com has same day shipment for domestic and International orders. Our portfolio includes coaxial cable assemblies, connectors, adapters and custom products as well as lightning and surge protectors, NEMA rated enclosures, and an RF product line which includes antennas, amplifiers, passive, and active components. Click the following link (or enter part number in "SEARCH" on website) to obtain additional part information including price, inventory and certifications: 18 GHz SMA Female Bulkhead Mount Connector Solder Attachment Thru Hole PCB, .235 inch D Hole LCCN3201

URL: <https://www.l-com.com/18-ghz-sma-female-bulkhead-mount-connector-solder-attachment-thru-hole-pcb-.235-inch-d-hole-lccn3201-p.aspx>

The information contained within this document is accurate to the best of our knowledge and representative of the part described herein. It may be necessary to make modifications to the part and/or the documentation of the part in order to impliment improvements. L-com reserves the right to make such changes as required. Unless otherwise stated, all specifications are nominal. L-com does not make any representation or warranty regarding the suitability of the part described herein for any particular purpose, and L-com does not assume liability arising out of the use of any part or document.

18 GHz SMA Female Bulkhead Mount Connector Solder Attachment Thru Hole PCB, .235 inch D Hole

L-com CAD Drawing



T-Rev-D