

2400-2500 MHz, 2 dBi, Stamped Metal AP/
Router Embedded Antenna-50 Pack



LCSMA1000-50PK

Features

- High Efficiency - 65%
- Isotropic radiation patterns
- Linear polarization
- Ultra-Compact design
- Low loss material
- Extended operating temperatures
- Case mounting or on board mount
- Frequency stabilization
- 50-pack for easy buy

Applications

- IoT, M2M, Telemetry
- Wireless Remote Control
- Personal Area Networks(PAN)
- Industrial/Commercial Equipment
- 2.4 GHz - WiFi/BT/BLE/ZigBee/ISM applications
- IEEE 802.11 b/g/n embedded applications
- Remote Technology / Monitoring
- Consumer Tracking
- Smart Home / Wearables / Devices
- Agriculture, healthcare, digital signage

Description

The L-com LCSMA1000-50PK is a single band stamped metal antenna that ships on the same day as ordered. Our linear polarized antenna has a maximum frequency of 2500 MHz and a minimum frequency of 2400 MHz. This 50-pack stamped metal antenna has an overall length of 1.14 inches and a width of 0.32 inches.

L-com's LCSMA1000-50PK is a single band antenna operating from 2400 to 2500 MHz with a 2 dBi gain. The omni directional antenna has a maximum input VSWR of 2:1. This 50-pack stamped metal antenna has an impedance of 50 Ohms.

L-com has one of the largest in-stock collections of omni directional antennas with our wide selection of superior quality RF parts that ship same day. Make your online purchase right now to take advantage of our same-day shipping. For further information on similar products, our expert technical support and knowledgeable sales team can help you get the ideal 50-pack stamped metal antenna as per your requirements.

Configuration

Design	Stamped Metal
Band Type	single
Radiation Pattern	Omni Directional
Polarization	Linear

Electrical Specifications

Description	Minimum	Typical	Maximum	Units
Frequency Range	2,400		2,500	MHz
Input VSWR			2:1	
Impedance		50		Ohms
Gain		2		dBi
Input Power			1	Watt

Click the following link (or enter part number in "SEARCH" on website) to obtain additional part information including price, inventory and certifications:
[2400-2500 MHz, 2 dBi, Stamped Metal AP/Router Embedded Antenna-50 Pack LCSMA1000-50PK](#)

2400-2500 MHz, 2 dBi, Stamped Metal AP/
Router Embedded Antenna-50 Pack

LCSMA1000-50PK



Mechanical Specifications

Size

Length	1.14 in [28.96 mm]
Width	0.32 in [8.13 mm]
Height	0.07 in [1.78 mm]

Environmental Specifications

Temperature

Operating Range	-20 to +65 deg C
-----------------	------------------

Compliance Certifications (see [product page](#) for current document)

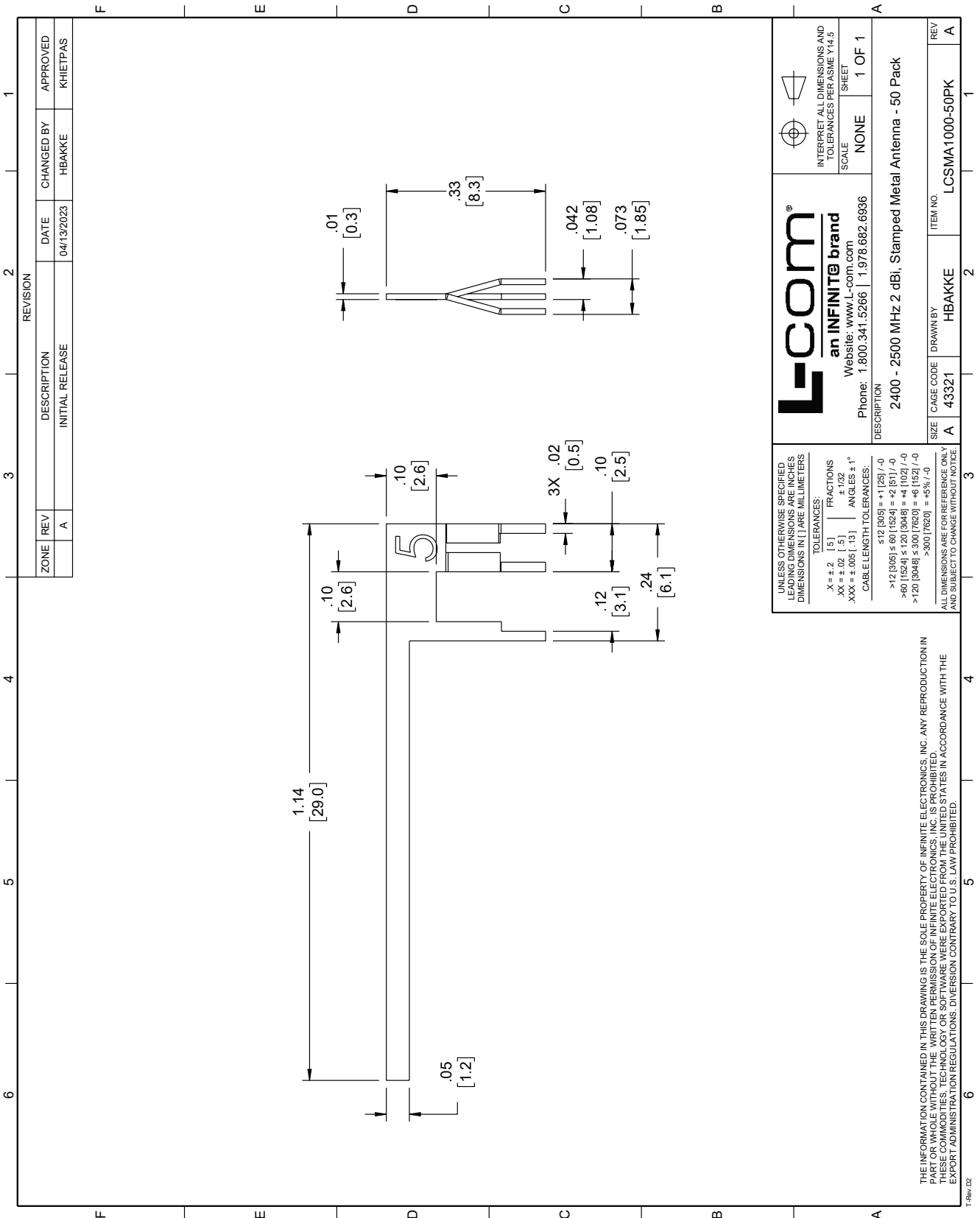
Plotted and Other Data

Notes:

2400-2500 MHz, 2 dBi, Stamped Metal AP/Router Embedded Antenna-50 Pack from L-com has same day shipment for domestic and International orders. Our portfolio includes coaxial cable assemblies, connectors, adapters and custom products as well as lightning and surge protectors, NEMA rated enclosures, and an RF product line which includes antennas, amplifiers, passive, and active components.

The information contained within this document is accurate to the best of our knowledge and representative of the part described herein. It may be necessary to make modifications to the part and/or the documentation of the part in order to impliment improvements. L-com reserves the right to make such changes as required. Unless otherwise stated, all specifications are nominal. L-com does not make any representation or warranty regarding the suitability of the part described herein for any particular purpose, and L-com does not assume liability arising out of the use of any part or document.

L-com CAD Drawing



L-com
an INFINITE brand
Website: www.L-com.com
Phone: 1.800.341.5266 | 1.978.682.6936

INTERPRET ALL DIMENSIONS AND TOLERANCES PER ASME Y14.5
SCALE NONE
SHEET 1 OF 1

DESCRIPTION
2400 - 2500 MHz 2 dBi, Stamped Metal Antenna - 50 Pack

SIZE A
CAGE CODE 43321
DRAWN BY HBAKKE
ITEM NO. LCSMA1000-50PK

REV A

UNLESS OTHERWISE SPECIFIED, LEADING DIMENSIONS ARE INCHES DIMENSIONS IN [] ARE MILLIMETERS

TOLERANCES:
X = +.2 [5] FRACTIONS
XX = +.02 [.5] +.132
XXX = +.005 [.13] ANGLES ± 1°

CABLE LENGTH TOLERANCES:
≤ 12 [305] ± .125 / -0
> 12 [305] ≤ 60 [1524] ± .25 [6.35] / -0
> 60 [1524] ≤ 120 [3048] ± .5 [12.7] / -0
> 120 [3048] ≤ 300 [7620] ± 1 [25.4] / -0
> 300 [7620] ± 5% / -0

ALL DIMENSIONS ARE FOR REFERENCE ONLY AND SUBJECT TO CHANGE WITHOUT NOTICE

THE INFORMATION CONTAINED IN THIS DRAWING IS THE SOLE PROPERTY OF INFINITE ELECTRONICS, INC. ANY REPRODUCTION IN PART OR WHOLE WITHOUT THE WRITTEN PERMISSION OF INFINITE ELECTRONICS, INC. IS PROHIBITED. THESE COMMODITIES, TECHNOLOGY OR SOFTWARE WERE EXPORTED FROM THE UNITED STATES IN ACCORDANCE WITH THE EXPORT ADMINISTRATION REGULATIONS. DIVERSION CONTRARY TO U.S. LAW PROHIBITED.

T-Rev: 02