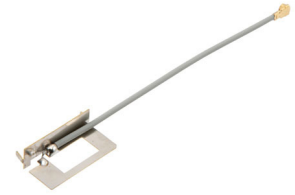


5150-5825 MHz, 3.19 dBi, Stamped Metal AP/Router
Embedded Antenna With IPEX Connector-50 Pack



LCSMA1011-50PK

Features

- High Efficiency
- Isotropic radiation patterns
- Linear polarization
- Ultra-Compact design
- Low loss material - Nickel-Plated brass
- Extended operating temperatures
- Case mounting or on board mount
- Frequency stabilization
- IPEX connector - 83.5mm cable
- 50-pack for easy buy

Applications

- IoT, M2M, Telemetry
- Wireless Remote Control
- Personal Area Networks(PAN)
- Industrial/Commercial Equipment
- 2.4/5 GHz - Wi-Fi/BT/BLE/ZigBee/ISM applications
- IEEE802.11a/b/g/n/ac embedded applications
- Remote Technology / Monitoring
- Consumer Tracking
- Smart Home / Wearables / Devices
- Agriculture, healthcare, digital signage

Description

The L-com LCSMA1011-50PK is a single band stamped metal antenna with an IPEX connector that ships on the same day as ordered. Our linear polarized antenna has a maximum frequency of 5825 MHz and a minimum frequency of 5150 MHz. This 50-pack stamped metal antenna has an overall length of 0.82 inches and a width of 0.24 inches.

L-com's LCSMA1011-50PK is a single band antenna operating from 5150 to 5825 MHz with a 3.19 dBi gain. The omni directional antenna has a maximum input VSWR of 2:1. This 50-pack stamped metal antenna with an IPEX connector has an impedance of 50 Ohms.

L-com has one of the largest in-stock collections of omni directional antennas with our wide selection of superior quality RF parts that ship same day. Make your online purchase right now to take advantage of our same-day shipping. For further information on similar products, our expert technical support and knowledgeable sales team can help you get the ideal 50-pack stamped metal antenna as per your requirements.

Configuration

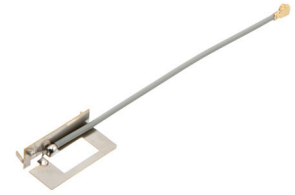
| | |
|-------------------|--------------------|
| Design | Stamped Metal |
| Band Type | single |
| Radiation Pattern | Omni Directional |
| Polarization | Linear |
| Cable Length | 3.29 in [83.57 mm] |
| Connector Type | IPEX |

Electrical Specifications

| Description | Minimum | Typical | Maximum | Units |
|-----------------|---------|---------|---------|-------|
| Frequency Range | 5,150 | | 5,825 | MHz |
| Input VSWR | | | 2:1 | |
| Impedance | | 50 | | Ohms |

Click the following link (or enter part number in "SEARCH" on website) to obtain additional part information including price, inventory and certifications:
[5150-5825 MHz, 3.19 dBi, Stamped Metal AP/Router Embedded Antenna With IPEX Connector-50 Pack LCSMA1011-50PK](#)

5150-5825 MHz, 3.19 dBi, Stamped Metal AP/Router
Embedded Antenna With IPEX Connector-50 Pack



LCSMA1011-50PK

| | | |
|-------------|------|------|
| Gain | 3.19 | dBi |
| Input Power | 1 | Watt |

Mechanical Specifications

Size

| | |
|--------|--------------------|
| Length | 0.82 in [20.83 mm] |
| Width | 0.24 in [6.1 mm] |
| Height | 0.51 in [12.95 mm] |

Connectors

| Description | Connector 1 | Connector 2 | Connector 3 |
|-------------|-------------|-------------|-------------|
| A | B | C | D |

Environmental Specifications

Temperature

| | |
|-----------------|------------------|
| Operating Range | -40 to +85 deg C |
|-----------------|------------------|

Compliance Certifications (see [product page](#) for current document)

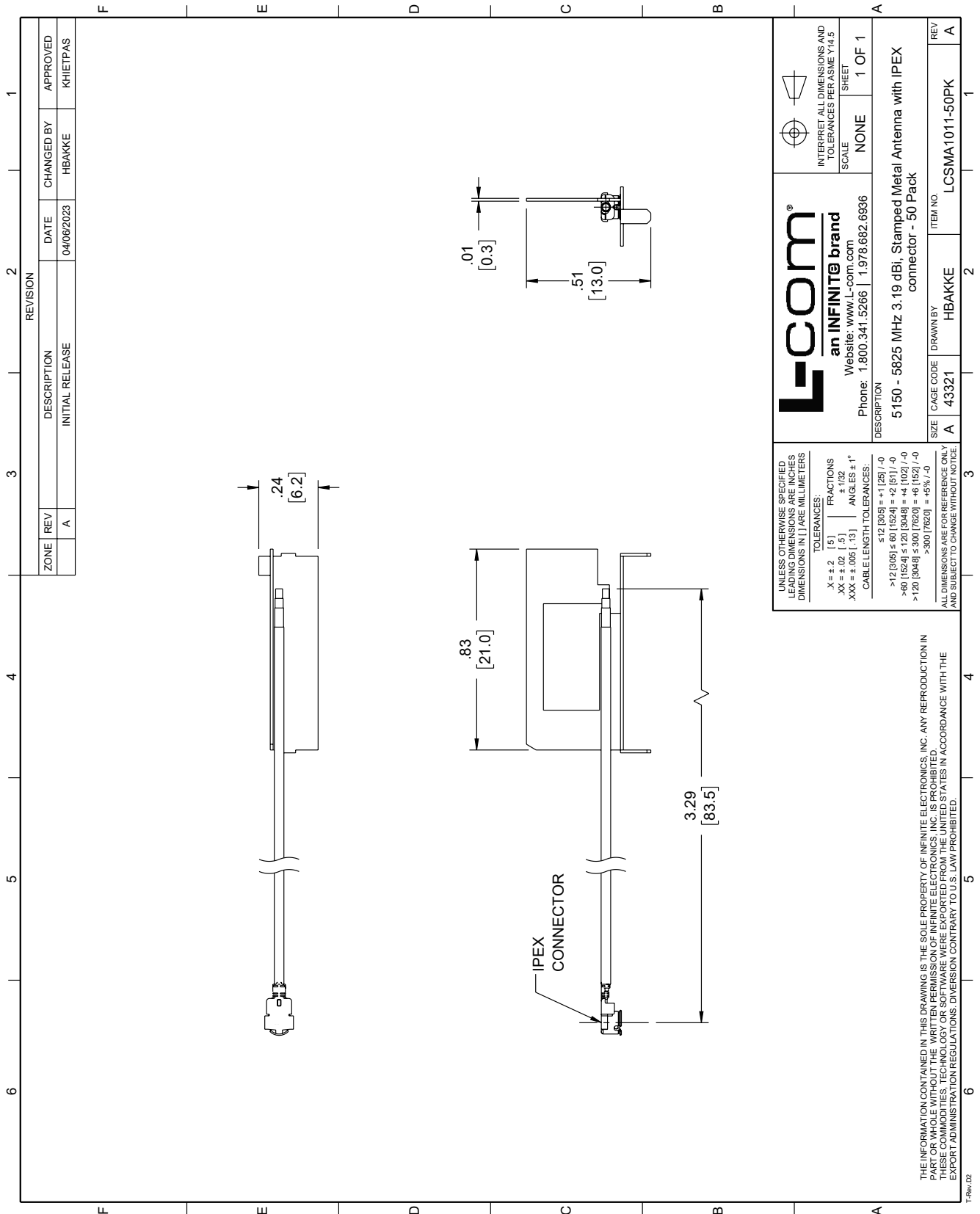
Plotted and Other Data

Notes:

5150-5825 MHz, 3.19 dBi, Stamped Metal AP/Router Embedded Antenna With IPEX Connector-50 Pack from L-com has same day shipment for domestic and International orders. Our portfolio includes coaxial cable assemblies, connectors, adapters and custom products as well as lightning and surge protectors, NEMA rated enclosures, and an RF product line which includes antennas, amplifiers, passive, and active components.

The information contained within this document is accurate to the best of our knowledge and representative of the part described herein. It may be necessary to make modifications to the part and/or the documentation of the part in order to implement improvements. L-com reserves the right to make such changes as required. Unless otherwise stated, all specifications are nominal. L-com does not make any representation or warranty regarding the suitability of the part described herein for any particular purpose, and L-com does not assume liability arising out of the use of any part or document.

L-com CAD Drawing



| ZONE | | REVISION | | DATE | | CHANGED BY | | APPROVED | |
|------|---|-----------------|------------|--------|----------|------------|--|----------|--|
| A | 1 | INITIAL RELEASE | 04/06/2023 | HBAKKE | KHIETPAS | | | | |

L-com
an INFINITE brand
Website: www.L-com.com
Phone: 1.800.341.5266 | 1.978.682.6936

INTERPRET ALL DIMENSIONS AND TOLERANCES PER ASME Y14.5
SCALE NONE
SHEET 1 OF 1

DESCRIPTION
5150 - 5825 MHz 3.19 dBi, Stamped Metal Antenna with IPEX connector - 50 Pack

ITEM NO. LCSMA1011-50PK
DRAWN BY HBAKKE

UNLESS OTHERWISE SPECIFIED, LEADING DIMENSIONS ARE INCHES, DIMENSIONS IN [] ARE MILLIMETERS.
TOLERANCES:
X = ±.2 [5] FRACTIONS
XX = ±.02 [5] ANGLES ±1°
XXX = ±.005 [13]
CABLE LENGTH TOLERANCES:
≤12 [305] ±.01 [25] / -0
>12 [305] ±.02 [51] / -0
>60 [1524] ±.03 [762] / -0
>120 [3048] ±.06 [1524] / -0
>300 [7620] ±.12 [3048] / -0
ALL DIMENSIONS ARE FOR REFERENCE ONLY AND SUBJECT TO CHANGE WITHOUT NOTICE.