



Type N F/M In/Out Bulkhead RF Coaxial Surge Protector 2GHz - 6GHz DC Block 10W IP67 10kA Filter

RF Surge Protectors Technical Data Sheet

LCSP1049

Features

- Surge current up to 10kA
- Max Power 10W
- Frequency range from 2GHz to 6GHz
- N-type female connectors
- Waterproof IP67 rated
- DC Block
- VSWR <1.3:1
- Multi-strike capability
- CE & RoHS compliant

Applications

- WiFi
- Cellular communication systems

Description

RF surge protector (also known as lightning arrester) LCSP1049 from L-COM utilizing a patented DC shorted filter design enables an almost instantaneous response to a lightning surge to protect critical hardware while maintaining the RF performance. This RF surge protector component is manufactured in a coaxial in-line design with wide operating frequency range. All L-COM RF surge protector products are available in stock with same day shipping.

Electrical Specifications

Surge Protector Type
DC Handling

Surge Filter
DC Block

Description	Minimum	Typical	Maximum	Units
Frequency Range	2		6	GHz
Impedance		50		Ohms
VSWR		1.2:1	1.3:1	
Return Loss		20		dB
Insertion Loss		0.1	0.2	dB
Input Power, CW			10	Watts
Surge Current IEC 61000-4-5 8/20µs WAVEFORM			10	kA
Throughput Energy FOR 3kA @8/20µs WAVEFORM			500	nJ

Mechanical Specifications

Size

Length	2.81 in [71.37 mm]
Width/Diameter	0.81 in [20.57 mm]
Height	0.81 in [20.57 mm]
Weight	0.08 lbs [36.29 g]

Click the following link (or enter part number in "SEARCH" on website) to obtain additional part information including price, inventory and certifications: [Type N F/M In/Out Bulkhead RF Coaxial Surge Protector 2GHz - 6GHz DC Block 10W IP67 10kA Filter LCSP1049](#)



an INFINIT® brand



Type N F/M In/Out Bulkhead RF Coaxial Surge Protector 2GHz - 6GHz DC Block 10W IP67 10kA Filter

RF Surge Protectors Technical Data Sheet

LCSP1049

Configuration

Input Connector	N Female
Output Connector	N Male

Environmental Specifications

Temperature

Operating Range	-40 to +85 deg C
Ingress Protection (IP) Rating	IP 67

Compliance Certifications (see [product page](#) for current document)

Plotted and Other Data

Notes:

Our portfolio includes cable assemblies, connectors, adapters and custom products, as well as their wireless product line which includes antennas, RF amplifiers, coaxial lightning and surge protectors, and NEMA rated enclosures.

Click the following link (or enter part number in "SEARCH" on website) to obtain additional part information including price, inventory and certifications: [Type N F/M In/Out Bulkhead RF Coaxial Surge Protector 2GHz - 6GHz DC Block 10W IP67 10kA Filter LCSP1049](#)

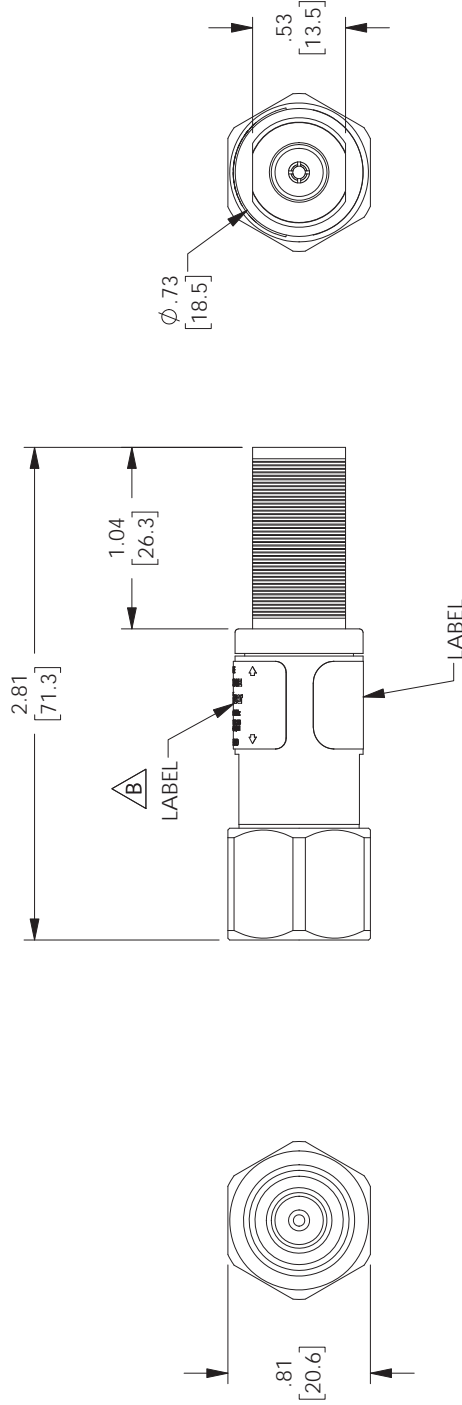
URL: <https://www.l-com.com/type-n-surge-protector-6ghz-filter-lcsp1049-p.aspx>

The information contained in this document is accurate to the best of our knowledge and representative of the part described herein. It may be necessary to make modifications to the part and/or the documentation of the part, in order to implement improvements. L-com reserves the right to make such changes as required. Unless otherwise stated, all specifications are nominal. L-com does not make any representation or warranty regarding the suitability of the part described herein for any particular purpose, and L-com does not assume any liability arising out of the use of any part or documentation.

LCSP1049 CAD Drawing

Type N F/M In/Out Bulkhead RF Coaxial Surge Protector 2GHz - 6GHz DC Block 10W IP67 10kA Filter

REVISIONS		
REV.	DESCRIPTION	DATE
B	ECN 10373	2/13/20
		APPROVED
		SPONG



UNLESS OTHERWISE SPECIFIED
LEADING DIMENSIONS ARE INCHES
DIMENSIONS IN [] ARE MILLIMETERS

TOLERANCES:

X = ±.2 [5.08] FRACTIONS ± 1/32
 .XX = ±.02 [.51] ANGLES ± 1°
 .XXX = ±.005 [.13]

OVERALL CABLE LENGTH (L) TOLERANCES:

L ≤ 12 [305] = +1 [25] / -0
 12 [305] < L ≤ 60 [1524] = +2 [51] / -0
 60 [1524] < L ≤ 120 [3048] = +4 [102] / -0
 120 [3048] < L ≤ 300 [7620] = +6 [152] / -0
 300 [7620] < L = +5%L / -0

ALL DIMENSIONS SHOWN
ARE FOR REFERENCE ONLY.

THIRD-ANGLE PROJECTION

THE INFORMATION AND
DESIGN IN THIS DOCUMENT
IS THE PROPERTY OF
L-COM GLOBAL CONNECTIVITY.
ALL RIGHTS RESERVED.

SHEET 1 OF 1

SCALE N/A

an INFINITE brand

50 High Street, West Mill, 3rd Floor, Suite #30
North Andover, MA 01845 USA.
Phone: 1.800.341.5266 | 1.978.682.6936
Fax: 1.978.689.9484
www.L-com.com e-mail: CustomerService@L-com.com

SIZE	CAGE CODE	DRAWN BY	PART NUMBER
A	43321	DFRISIELLO	LCSP1049
			REV B

REGULATORY COMPLIANCE:
 EU RoHS DIRECTIVE (MOST RECENT RELEASED VERSION)

THESE COMMODITIES, TECHNOLOGY OR SOFTWARE WERE EXPORTED FROM THE UNITED STATES IN ACCORDANCE WITH THE EXPORT ADMINISTRATION REGULATIONS. DIVERSION CONTRARY TO U.S. LAW PROHIBITED.