



2 Watt RF Load Up to 6 GHz with SMA Male Nickel Plated Brass Body

RF Terminations Technical Data Sheet

LCTR1003

Features

- SMA connector interface
- DC to 6 GHz Frequency Range
- Max Power 2 Watt (CW)
- VSWR < 1.2:1

Applications

- Instrumentation
- RF test systems
- Prototyping and characterization
- Production systems
- Precision measurements

Description

L-com's LCTR1003 is an RF termination (also called RF load or dummy load) that operates from DC to 6 GHz and handles up to 2 Watt (CW). This SMA termination / load has a male gender. LCTR1003 termination offers 1.2:1 max VSWR.

RF loads/terminations are indispensable components in many RF, microwave and millimeter wave systems where signal reflection from unused ports can potentially damage the device or reduce the signal integrity. By using a terminator on an unused port with a matched load (dummy load), the incident energy will be absorbed with minimal reflection. These termination components are commonly used to terminate devices such as couplers, circulators, and switches. They are also widely used in measurement systems to ensure accurate results.

Electrical Specifications

Description	Minimum	Typical	Maximum	Units
Frequency Range	DC		6	GHz
Impedance		50		Ohms
VSWR			1.2:1	
Input Power (CW)			2	Watts
Input Power (Peak) 5µs pulse with 0.4% duty cycle			250	Watts

Mechanical Specifications

Size

Length	0.629 in [15.98 mm]
Width	0.354 in [8.99 mm]
Weight	0.0088 lbs [3.99 g]

Configuration

Connector	SMA Male
Hex Size	16-May inch

Material Specifications

Description	Material	Plating
Connector 1 Contact	Brass	Gold
Body	Brass	Nickel
Coupling Nut	Brass	Nickel



an INFINIT^e brand



2 Watt RF Load Up to 6 GHz with SMA Male Nickel Plated Brass Body

RF Terminations Technical Data Sheet

LCTR1003

Housing	Brass	Nickel
---------	-------	--------

Environmental Specifications

Temperature

Operating Range

-55 to 125 deg C

Compliance Certifications

Plotted and Other Data

Notes:

Our portfolio includes coaxial cable assemblies, connectors, adapters and custom products as well as lightning and surge protectors, NEMA rated enclosures, and an RF product line which includes antennas, amplifiers, passive, and active components.

The information contained in this document is accurate to the best of our knowledge and representative of the part described herein. It may be necessary to make modifications to the part and/or the documentation of the part, in order to implement improvements. L-com reserves the right to make such changes as required. Unless otherwise stated, all specifications are nominal. L-com does not make any representation or warranty regarding the suitability of the part described herein for any particular purpose, and L-com does not assume any liability arising out of the use of any part or documentation.

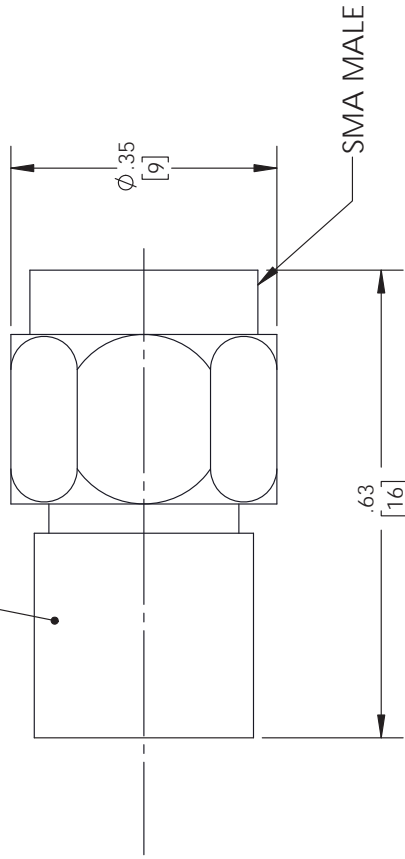
LCTR1003 CAD Drawing

2 Watt RF Load Up to 6 GHz with SMA Male Nickel Plated Brass Body

REVISIONS		
REV.	DESCRIPTION	DATE
A	INITIAL RELEASE	05/23/2019

L-com
PN: LCTR1003 Date Code: YYYY

APPLIED WRAP LABEL



UNLESS OTHERWISE SPECIFIED LEADING DIMENSIONS ARE IN INCHES DIMENSIONS IN [] ARE MILLIMETERS				THE INFORMATION AND DESIGN CONTAINED HEREIN IS THE PROPERTY OF L-COM GLOBAL CONNECTIVITY. ALL RIGHTS RESERVED.	
TOLERANCES: X== 2 [5.08] .XX== .01 [.25] .XXX== .005 [.13]		FRACTIONS ± 1/32		SHEET 1 OF 1	
ALL DIMENSIONS SHOWN ARE FOR REFERENCE ONLY.		ANGLE ± 1°		SCALE N/A	
THIRD-ANGLE PROJECTION		www.L-com.com		PART NUMBER LCTR1003	
THESE COMMODITIES, TECHNOLOGY OR SOFTWARE WERE EXPORTED FROM THE UNITED STATES IN ACCORDANCE WITH THE EXPORT ADMINISTRATION REGULATIONS. DIVERSION CONTRARY TO U.S. LAW PROHIBITED.		DRAWN BY BPUCHASKI		REV A	
SIZE A		CAGE CODE 43321		DRAWN BY BPUCHASKI	
50 High Street, West Mill, 3rd Floor, Suite #30 North Andover, MA 01845 USA. Phone: 1.800.341.5266 1.978.682.6836 Fax: 1.978.689.9484 e-mail: CustomerService@L-com.com		an INFINITO brand		SHEET 1 OF 1	