

2 Watt RF Load Up to 18 GHz With SMA Female Stainless Steel Body



LCTR1174

Features

- DC to 18 GHz Frequency Range
- VSWR <1.2:1
- Max Power 2 Watt (CW)
- SMA Female Coaxial Interface

Applications

- Wireless
- SatCom
- Radar Systems
- Test and Measurement
- Commercial and Military Communications

Description

L-com's LCTR1174 is an RF termination (also called RF load or dummy load) that operates from DC to 18 GHz and handles up to 2 Watt (CW). Our SMA termination/load has a female gender. LCTR1174 SMA load termination offers 1.2:1 VSWR max.

RF load / termination are indispensable components in many RF, microwave and millimeter wave systems where signal reflections from unused ports can potentially damage the device or reduce the signal integrity. By using a terminator on an unused port with a matched load (dummy load), the incident energy will be absorbed with minimal reflection. These termination components are commonly used to terminate devices such as couplers, circulators, and switches. They are also widely used in measurement systems to ensure accurate results. L-com offers a huge selection of RF, microwave and millimeter wave terminations up to 65 GHz with excellent performance over the entire operating range and power handling capabilities up to 800 Watt (CW).

Electrical Specifications

Description	Minimum	Typical	Maximum	Units
Frequency Range	DC		18	GHz
Impedance		50		Ohms
VSWR, Input			1.2:1	
Input Power (CW)			2	Watts
Derated linearly to 1W @ 165°C				
Dielectric Withstanding Voltage (AC)			1,500	Vrms
Operating Voltage (AC)			500	Vrms

Performance by Frequency

Description	F1	F2	F3	F4	F5	Units
Frequency Range	DC to 6	6 to 12.4	12.4 to 18			GHz
VSWR, Input Typ	1.1:1	1.15:1	1.2:1			

Mechanical Specifications

Size

Length	0.559 in [14.2 mm]
Width	0.315 in [8 mm]
Height	0.315 in [8 mm]
Weight	0.01 lbs [4.54 g]

2 Watt RF Load Up to 18 GHz With SMA Female Stainless Steel Body



LCTR1174

Configuration

Connector	SMA Female
Mating Torque	7 to 9.5 in-lbs [0.79 to 1.07 Nm]

Material Specifications

Description	Material	Plating
Connector 1 Contact	Beryllium Copper	Gold over nickel
Insulation	Teflon	
Connector 1 Body	Stainless Steel	Passivated

Environmental Specifications

Temperature

Operating Range	-55 to +70 deg C
Humidity	MIL-STD-202, Method 106
Thermal Shock	MIL-STD-202, Method 107, Condition B
Salt Spray	MIL-STD-202, Method 101, Condition B

Compliance Certifications (see [product page](#) for current document)

Plotted and Other Data

Notes:

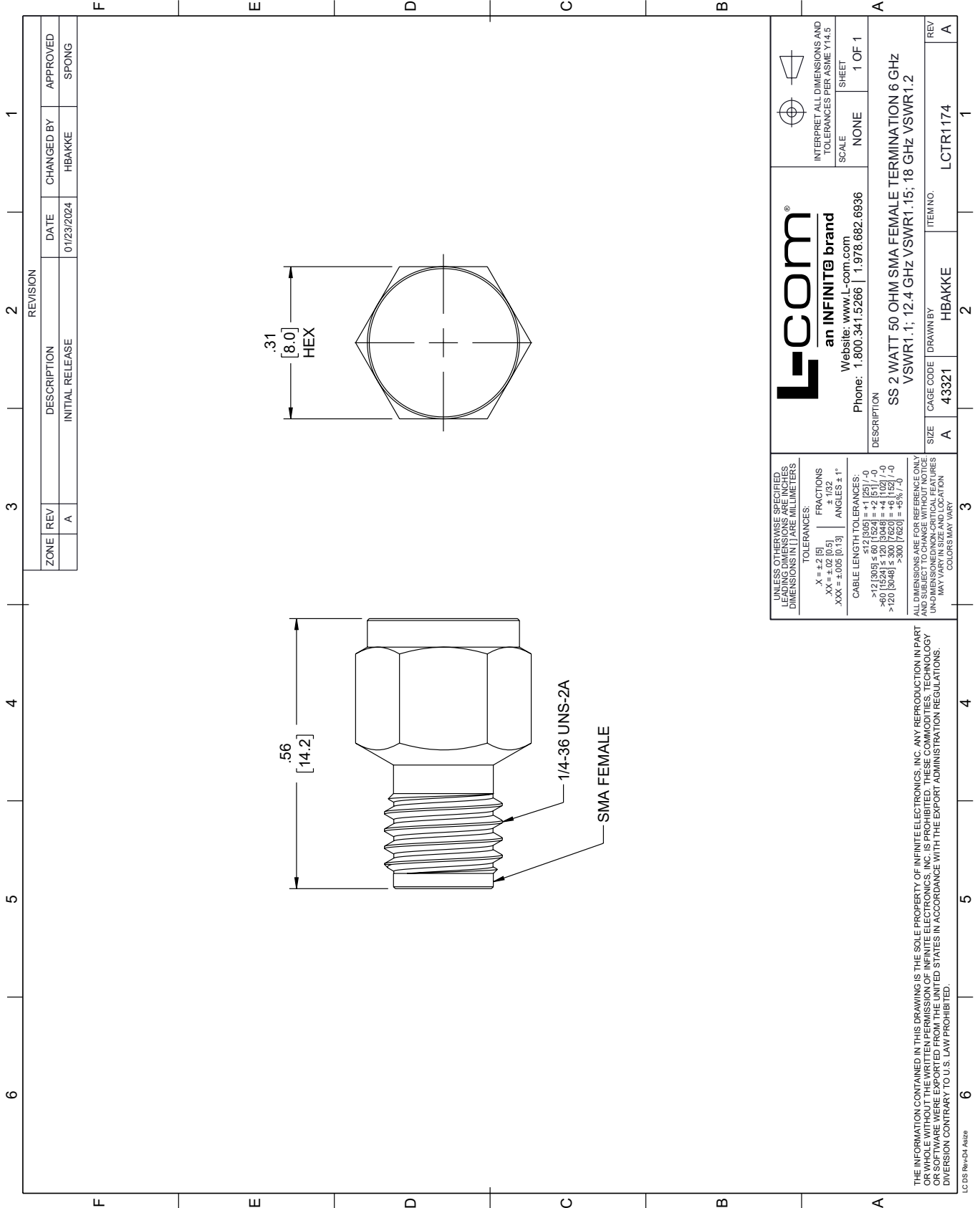
2 Watt RF Load Up to 18 GHz With SMA Female Stainless Steel Body from L-com has same day shipment for domestic and International orders. Our portfolio includes coaxial cable assemblies, connectors, adapters and custom products as well as lightning and surge protectors, NEMA rated enclosures, and an RF product line which includes antennas, amplifiers, passive, and active components.

URL: <https://www.l-com.com/2-watts-sma-female-rf-load-18-ghz-lctr1174-p.aspx>

The information contained within this document is accurate to the best of our knowledge and representative of the part described herein. It may be necessary to make modifications to the part and/or the documentation of the part in order to implement improvements. L-com reserves the right to make such changes as required. Unless otherwise stated, all specifications are nominal. L-com does not make any representation or warranty regarding the suitability of the part described herein for any particular purpose, and L-com does not assume liability arising out of the use of any part or document.

LCTR1174 CAD Drawing

2 Watt RF Load Up to 18 GHz With SMA Female Stainless Steel Body



REVISION		DATE	CHANGED BY	APPROVED	
ZONE	REV	DESCRIPTION	DATE	CHANGED BY	APPROVED
	A	INITIAL RELEASE	01/23/2024	HBAKKE	SPONG

L-com
an INFINITE brand
Website: www.L-com.com
Phone: 1.800.341.5266 | 1.978.682.6936

UNLESS OTHERWISE SPECIFIED, LEADING DIMENSIONS ARE IN INCHES. DIMENSIONS IN [] ARE MILLIMETERS.

TOLERANCES:
 .X = +.2 [5] FRACTIONS ± 1/32
 .XX = ±.02 [0.5] ANGLES ± 1°
 .XXX = ±.005 [0.13]

CABLE LENGTH TOLERANCES:
 <12 [305] ±.60 [15.24] = +.2 [5.1] / -0
 >12 [305] ≤ 60 [1524] = +.4 [10.2] / -0
 >60 [1524] ≤ 120 [3048] = +.4 [10.2] / -0
 >120 [3048] ≤ 300 [7620] = +.6 [15.2] / -0

ALL DIMENSIONS ARE FOR REFERENCE ONLY. UNDIMENSIONED NON-CRITICAL FEATURES MAY VARY IN SIZE AND LOCATION. COLORS MAY VARY.

INTERPRET ALL DIMENSIONS AND TOLERANCES PER ASME Y14.5
SCALE NONE SHEET 1 OF 1

DESCRIPTION
SS 2 WATT 50 OHM SMA FEMALE TERMINATION 6 GHz VSWR1.1; 12.4 GHz VSWR1.15; 18 GHz VSWR1.2

SIZE	A	CAGE CODE	43321	DRAWN BY	HBAKKE	ITEM NO.	LCTR1174
REV	A						

THE INFORMATION CONTAINED IN THIS DRAWING IS THE SOLE PROPERTY OF INFINITE ELECTRONICS, INC. ANY REPRODUCTION IN PART OR WHOLE WITHOUT THE WRITTEN PERMISSION OF INFINITE ELECTRONICS, INC. IS PROHIBITED. THESE COMMODITIES, TECHNOLOGY OR SERVICES ARE EXPORTED FROM THE UNITED STATES IN ACCORDANCE WITH THE EXPORT ADMINISTRATION REGULATIONS. DIVERSION CONTRARY TO U.S. LAW PROHIBITED.

LC 05 Rev-D4 Altize