

Fixed Break-Over Torque Wrench With 1/4 Bit For SSMA Connectors Pre-set to 5 in-lbs



LCTWB0514-TQ

Features

- Break-over design prevents over-torquing
- Black anodized aluminum handle
- Each break-over torque wrench comes secured inside a labeled wooden box

Applications

- Lab environments
- Production cable attachment
- Field install and testing
- Applying accurate torque
- Preventing over torque

Description

LCTWB0514-TQ is a break-over type torque wrench with 1/4 bit for SSMA connectors and a preset value of 5 in-lbs. L-com's LCTWB0514-TQ break-over torque wrenches allow accurate mating force when assembling and disassembling a variety of RF coaxial connectors. The unique feature of break-over torque wrenches is that they will "break" at the pivot point once the preset torque value is achieved, effectively preventing the user from over tightening the coupling nut on the connector which is not possible with a click style torque wrench. Our break-over SSMA torque wrenches are lab-quality tools made with a durable nickel-plated steel alloy wrench head connected to a lightweight, Black anodized aluminum handle.

Configuration

Torque Type	Fixed
Design Type	Break-Over
Hex Size	1/4 inch
Torque Setting	5 in-lbs [0.57 Nm]
Torque Accuracy	±0.2 in-lbs [±0.02 Nm]
Weight	0.0485 lbs [22 g]
Handle Color	Black
Wrench Head Material	Steel
Wrench Head Plating	Nickel
Handle Material	Black Anodized Aluminum

Compliance Certifications (see [product page](#) for current document)

Notes:

- For Stainless steel type connectors.
- Do not use on damaged connectors.
- To improve performance of a wrench that hasn't been used recently, actuate the wrench by clicking the wrench head back and forth several times before use. This will spread the lubricant through the internal mechanism.
- Break-over type torque wrenches require smooth consistent application of force. Each torquing action should be completed within 2 seconds. Slower or faster torquing action will detract from accuracy.

Fixed Break-Over Torque Wrench With 1/4 Bit For SSMA Connectors Pre-set to 5 in-lbs from L-com has same day shipment for domestic and International orders. Our portfolio includes coaxial cable assemblies, connectors, adapters and custom products as well

Click the following link (or enter part number in "SEARCH" on website) to obtain additional part information including price, inventory and certifications:
[Fixed Break-Over Torque Wrench With 1/4 Bit For SSMA Connectors Pre-set to 5 in-lbs LCTWB0514-TQ](#)

Fixed Break-Over Torque Wrench With 1/4 Bit For
SSMA Connectors Pre-set to 5 in-lbs

LCTWB0514-TQ



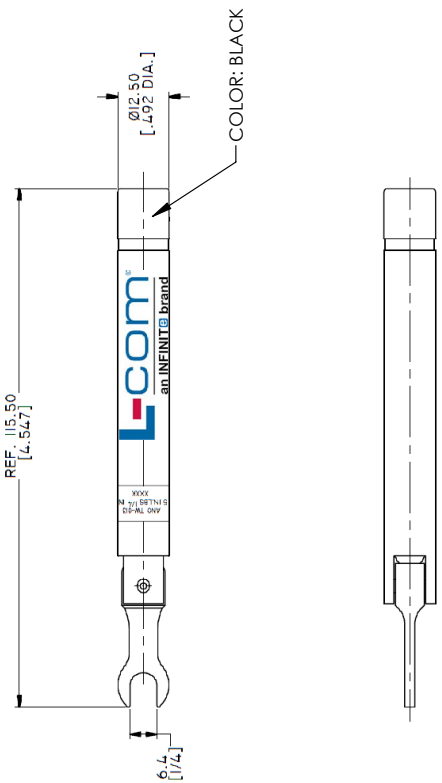
as lightning and surge protectors, NEMA rated enclosures, and an RF product line which includes antennas, amplifiers, passive, and active components.

The information contained within this document is accurate to the best of our knowledge and representative of the part described herein. It may be necessary to make modifications to the part and/or the documentation of the part in order to impliment improvements. L-com reserves the right to make such changes as required. Unless otherwise stated, all specifications are nominal. L-com does not make any representation or warranty regarding the suitability of the part described herein for any particular purpose, and L-com does not assume liability arising out of the use of any part or document.

Fixed Break-Over Torque Wrench With 1/4 Bit For SSMA Connectors Pre-set to 5 in-lbs


L-com CAD Drawing

REVISIONS		
REV.	DESCRIPTION	DATE
A	INITIAL RELEASE	11/11/2021
	APPROVED	AGANWANI



1. TORQUE VALUE: 0.6 NM [5 IN. LBS]

2. SIZE: 6.4 MM [1/4 IN.]

<p>UNLESS OTHERWISE SPECIFIED LEADING DIMENSIONS ARE IN INCHES DIMENSIONS IN [] ARE MILLIMETERS</p> <p>TOLERANCES:</p> <p>.X = ±.2 [5.08] FRACTIONS ± 1/32</p> <p>.XX = ±.02 [0.51] ANGLES ± 1°</p> <p>.XXX = ±.005 [0.13]</p> <p>CABLE LENGTH (L) TOLERANCES:</p> <p>L ≤ 12 [305] = +1 [25] / -0</p> <p>12 [305] < L ≤ 60 [1524] = +2 [51] / -0</p> <p>60 [1524] < L ≤ 120 [3048] = +4 [102] / -0</p> <p>120 [3048] < L ≤ 300 [7620] = +6 [152] / -0</p> <p>300 [7620] < L = +5%L / -0</p> <p>ALL DIMENSIONS SHOWN ARE FOR REFERENCE ONLY.</p>	<p>THIRD-ANGLE PROJECTION</p>  <p>THE INFORMATION AND DIMENSIONS SHOWN HEREIN IS THE PROPERTY OF L-COM GLOBAL CONNECTIVITY. ALL RIGHTS RESERVED.</p> <p>SHEET 1 OF 1</p> <p>SCALE N/A</p>	<p>L-com[®]</p> <p>an INFINITO brand</p> <p>50 High Street, West Mill, 3rd Floor, Suite #30 North Andover, MA 01845 USA.</p> <p>Phone: 1.800.341.5266 1.978.682.6936 Fax: 1.978.689.9484 Website: www.L-com.com E-mail: CustomerService@L-com.com</p> <p>ITEM NO. LCTWB0514-TQ</p> <p>SIZE A CAGE CODE A DRAWN BY PDUVE</p>
--	--	--

THESE COMMODITIES, TECHNOLOGY OR SOFTWARE WERE EXPORTED FROM THE UNITED STATES IN ACCORDANCE WITH THE EXPORT ADMINISTRATION REGULATIONS. DIVERSION CONTRARY TO U.S. LAW PROHIBITED.

T-Rev D