

Intelligent ultrasonic level transmitter, 5 m range, RS485, G2, direct lead, 3 m cable



LLUSCS03-5401 Liquid Level Sensors

Features

- Echo analysis technology
- High Reliability
- Rugged industrial grade housing
- G2 process connection
- RS-485 output

Applications

- Petroleum Industry
- Water and sewage treatment
- Chemical Production
- Food and beverage
- Non-contact level monitoring

Description

The LLUSCS03-5401 Ultrasonic level transmitter is a non-contact, highly reliable level measuring instrument. It is easy to install and maintain, and provides continuous level measurement without touching the medium. It is well suited for monitoring fluids of varying viscosity as well as granular solid materials, such as bulk dry goods.

General Specifications

Application:	Level Sensing
Sensor Type:	Ultrasonic
Electrical Connection:	Direct Lead
Process Connection:	G2
Connection Type:	3 meter 4 wire cable
Output Signal:	RS-485
Interface Protocol:	MODBUS-RTU
Blind Zone:	<30cm
Beam Width:	Half-power angle @-3dB: 7°

Description	Minimum	Typical	Maximum	Unit
Sensing Distance			5,000	mm
Resolution Ratio			5	mm
Accuracy		0.5		% Full Scale

Electrical Specifications

Description	Minimum	Typical	Maximum	Unit
DC Power Supply Voltage		24		VDC
Power Supply Current		11		mA

Click the following link (or enter part number in "SEARCH" on website) to obtain additional part information including price, inventory and certifications:
Intelligent ultrasonic level transmitter, 5 m range, RS485, G2, direct lead, 3 m cable LLUSCS03-5401

Intelligent ultrasonic level transmitter, 5 m range,
RS485, G2, direct lead, 3 m cable



LLUSCS03-5401
Liquid Level Sensors

Power Supply Voltage	±5	%
Pressure Resistance	3	bar
Power Consumption	≤0.3	W
Response	1	sec
Sensitivity	2	sec

Material Specifications

Description	Material
Cable Material	PVC
Housing Material	Polycarbonate

Notes: Resistant to weak acids and alkali

Environmental Specifications

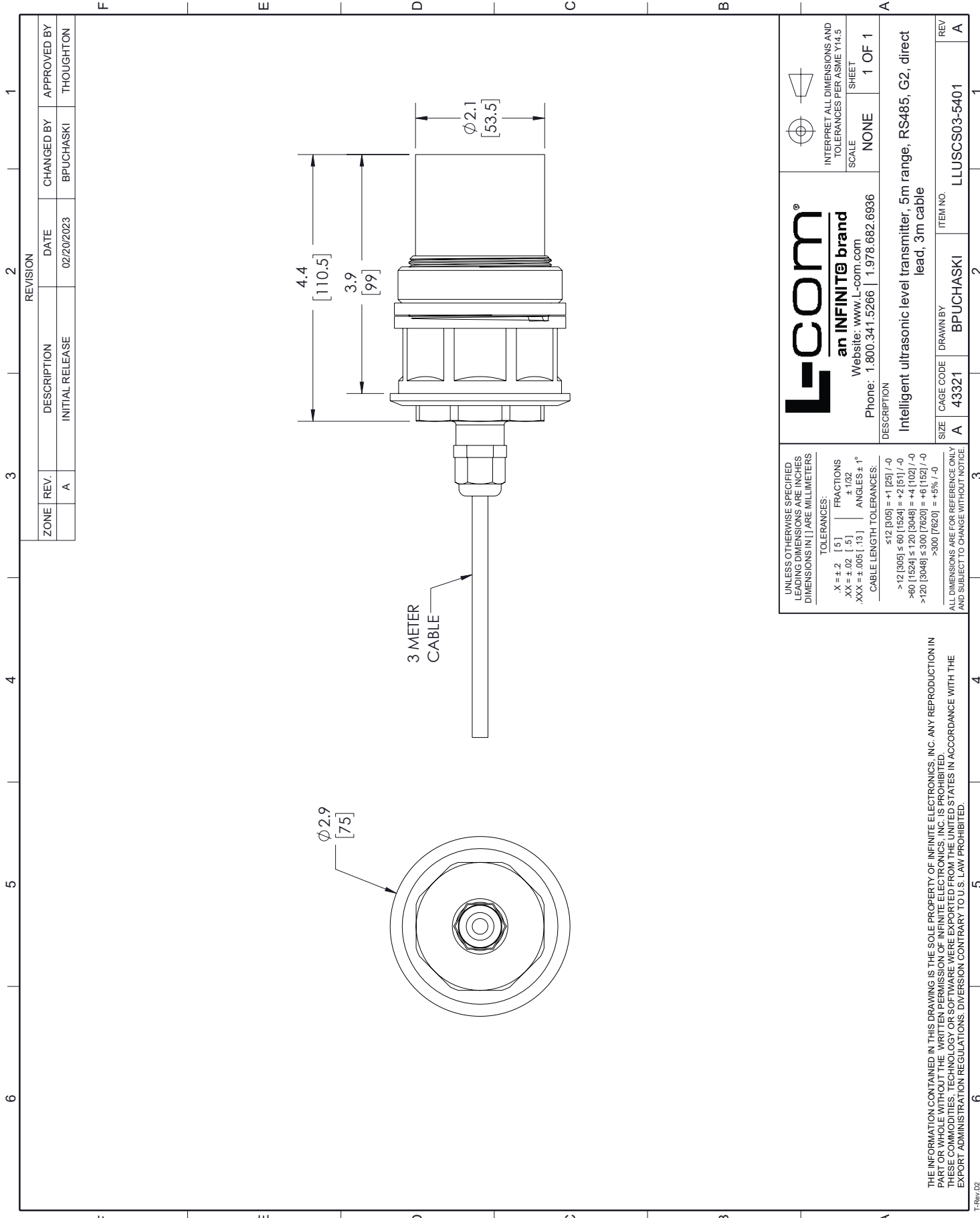
Temperature (Operating)	-25 deg C to 80 deg C
Temperature (Probe Resistance)	-20 deg C to 80 deg C
Ingress Protection	IP67

The Infinite Electronics portfolio includes coaxial cable assemblies, connectors, adapters and custom products, as well as our wireless product line which includes antennas, RF amplifiers, lightning and surge protectors, and NEMA rated enclosures.

The information contained in this document is accurate to the best of our knowledge and representative of the part described herein. It may be necessary to make modifications to the part and/or the documentation of the part, in order to implement improvements. L-com reserves the right to make such changes as required. Unless otherwise stated, all specifications are nominal. L-com does not make any representation or warranty regarding the suitability of the part described herein for any particular purpose, and L-com does not assume any liability arising out of the use of any part or documentation.

LLUSCS03-5401 CAD Drawing

Intelligent ultrasonic level transmitter, 5 m range, RS485, G2, direct lead, 3 m cable



ZONE	REV.	DESCRIPTION	DATE	CHANGED BY	APPROVED BY
A		INITIAL RELEASE	02/20/2023	BPUCHASKI	THOUGHTON

<p>L-com an INFINITE brand Website: www.L-com.com Phone: 1.800.341.5266 1.978.682.6936</p>		<p>INTERPRET ALL DIMENSIONS AND TOLERANCES PER ASME Y14.5 SCALE NONE SHEET 1 OF 1</p>
<p>DESCRIPTION Intelligent ultrasonic level transmitter, 5m range, RS485, G2, direct lead, 3m cable</p>		
SIZE A	CAGE CODE 43321	ITEM NO. LLUSCS03-5401
DRAWN BY BPUCHASKI		REV A

UNLESS OTHERWISE SPECIFIED LEADING DIMENSIONS ARE INCHES DIMENSIONS IN [] ARE MILLIMETERS

TOLERANCES:
 X = ±.2 [.5] FRACTIONS ± .02 [.5] ANGLES ± 1°
 .XXX = ±.005 [.13]
 CABLE LENGTH TOLERANCES:
 ≤12 [305] = +1 [25] / -0
 >12 [305] ≤ 60 [1524] = +2 [51] / -0
 >60 [1524] ≤ 120 [3048] = +4 [102] / -0
 >120 [3048] ≤ 300 [7620] = +6 [152] / -0
 >300 [7620] = +5% / -0

ALL DIMENSIONS ARE FOR REFERENCE ONLY AND SUBJECT TO CHANGE WITHOUT NOTICE.

THE INFORMATION CONTAINED IN THIS DRAWING IS THE SOLE PROPERTY OF INFINITE ELECTRONICS, INC. ANY REPRODUCTION IN PART OR WHOLE WITHOUT THE WRITTEN PERMISSION OF INFINITE ELECTRONICS, INC. IS PROHIBITED. THESE COMMODITIES, TECHNOLOGY OR SOFTWARE WERE EXPORTED FROM THE UNITED STATES IN ACCORDANCE WITH THE EXPORT ADMINISTRATION REGULATIONS. DIVERSION CONTRARY TO U.S. LAW PROHIBITED.