

Low Loss Flexible LMR-195-LLPL Plenum Rated Coax Cable
Double Shielded with Orange PVC (FR) Jacket



LMR-195-LLPL



Configuration

- Low Loss, Outdoor Flexible Cable
- 2 Shield(s)

Features

- PVC (FR) Jacket
- Max operating temperature 85°C
- Min Install Bend radius of 2 inches
- Phase Velocity 80% VoP
- Max operating Frequency of 8 GHz

Applications

- Antenna Installs
- RF Test systems
- General Purpose RF Interconnect
- Laboratory applications

Description

LMR-195-LLPL coax cable from L-com is only one of a large number of radio frequency coaxial cable types specifically stocked to be ready for quick shipment. L-com Microwave LMR-195-LLPL coax cable is manufactured in a flexible design and has a 50 Ohm impedance. This low loss flexible 50 Ohm coax cable LMR-195-LLPL is constructed with a 0.195 inch diameter and Orange PVC (FR) jacket.

LMR-195-LLPL flexible 50 Ohm coax cable with PVC (FR) jacket is rated for a 8 GHz maximum operating frequency. This 50 Ohm 0.195 inch diameter and low loss flexible coax cable is built with a double shield count and RF shielding of 90 dB. L-com Microwave LMR-195-LLPL coax is constructed with PTFE (LD) dielectric and a maximum operating temperature of 85 degrees C. Times Microwave LMR-195-LLPL coax cable specs for this wire properties can be found on its RF coax cable LMR-195-LLPL datasheet.

LMR-195-LLPL cable is part of more than one million RF, microwave parts in stock at L-com. This Times Microwave low loss LMR-195-LLPL coax cable is ready to buy and can be shipped worldwide. L-com also maintains a wide selection of other radio frequency coaxial cable types that ship same-day from our warehouse as with the rest of our other RF/microwave components.

* LMR™ is a trademark of Times Microwave Systems.

Electrical Specifications

Description	Minimum	Typical	Maximum	Units
Frequency Range	DC		8	GHz
Impedance		50		Ohms
Velocity of Propagation		80		%
Shielding Effectiveness	90			dB
Dielectric Withstanding Voltage (DC)			1,000	Vdc
Jacket Spark			3,000	Vrms
Nominal Capacitance		25.4 [83.33]		pF/ft [pF/m]
Nominal Inductance		0.064 [0.21]		uH/ft [uH/m]
Input Power (Peak)			2.5	kWatts

Low Loss Flexible LMR-195-LLPL Plenum Rated Coax Cable
Double Shielded with Orange PVC (FR) Jacket



LMR-195-LLPL



Performance by Frequency Band

Description	F1	F2	F3	F4	F5	Units
Frequency	50	150	220	450	900	MHz
Attenuation, Typ	2.5	4.4	5.3	7.8	10.9	dB/100ft
	8.2	14.44	17.39	25.59	35.76	dB/100m
Input Power (CW), Max	540	310	260	180	120	Watts

Description	F6	F7	F8	F9	F10	Units
Frequency	1.5	1.8	2.5	5.8	8	GHz
Attenuation, Typ	14.1	15.4	18.3	28.2	35.7	dB/100ft
	46.26	50.52	60.04	92.52	117.13	dB/100m
Input Power (CW), Max	100	90	70	50	40	Watts

Mechanical Specifications

Diameter	0.195 in [4.95 mm]
Weight	0.02903 lbs/ft [0.04 Kg/m]
Min. Bend Radius (Installation)	0.5 in [12.7 mm]
Min. Bend Radius (Repeated)	2 in [50.8 mm]
Bending Moment	0.1 lbs-ft [0.14 N-m]
Tensile Strength	40 lbs [18.14 kg]
Flat Plate Crush	10 lbs/in [0.18 Kg/mm]

Construction Specifications

Description	Material and Plating	Diameter
Inner Conductor	Copper 1 Strand(s)	0.037in [0.94mm]
Conductor Type	Solid	
Dielectric	PTFE (LD)	0.113in [2.87mm]
First Shield	Aluminum Tape	
Second Shield	Tinned Copper Braid	
Jacket	PVC (FR), Orange	0.195in [4.95mm]

Low Loss Flexible LMR-195-LLPL Plenum Rated Coax Cable
Double Shielded with Orange PVC (FR) Jacket



LMR-195-LLPL



Environmental Specifications

Temperature

Operating Range

-40°C to +85°C

Storage Range

-70°C to +85°C

Compliance Certifications (see [product page](#) for current document)

Plotted and Other Data

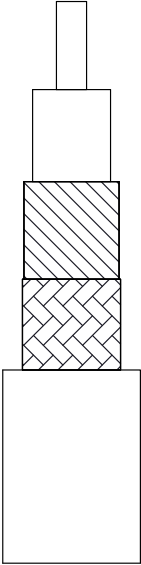
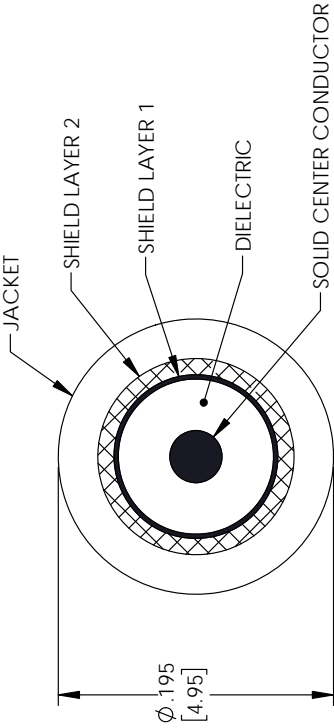
Low Loss Flexible LMR-195-LLPL Plenum Rated Coax Cable Double Shielded with Orange PVC (FR) Jacket from L-com has same day shipment for domestic and International orders. Our portfolio includes coaxial cable assemblies, connectors, adapters and custom products as well as lightning and surge protectors, NEMA rated enclosures, and an RF product line which includes antennas, amplifiers, passive, and active components.


The information contained within this document is accurate to the best of our knowledge and representative of the part described herein. It may be necessary to make modifications to the part and/or the documentation of the part in order to implement improvements. L-com reserves the right to make such changes as required. Unless otherwise stated, all specifications are nominal. L-com does not make any representation or warranty regarding the suitability of the part described herein for any particular purpose, and L-com does not assume liability arising out of the use of any part or document.

Low Loss Flexible LMR-195-LLPL Plenum Rated Coax Cable Double Shielded with Orange PVC (FR) Jacket

L-com CAD Drawing

REVISIONS		
REV.	DESCRIPTION	DATE
A	INITIAL RELEASE	2/7/20
	APPROVED	S. ELLIS

<p>UNLESS OTHERWISE SPECIFIED LEADING DIMENSIONS ARE INCHES DIMENSIONS IN [] ARE MILLIMETERS</p> <p>TOLERANCES:</p> <table style="width: 100%; border: none;"> <tr> <td>X ± 0.2</td> <td>[5.08]</td> <td>FRACTIONS</td> </tr> <tr> <td>XX ± 0.02</td> <td>[.51]</td> <td>+ 1/32</td> </tr> <tr> <td>XXX ± 0.005</td> <td>[.13]</td> <td>ANGLES ± 1°</td> </tr> </table> <p>CABLE LENGTH (L) TOLERANCES:</p> <table style="width: 100%; border: none;"> <tr> <td>L ≤ 12</td> <td>[305]</td> <td>= +1 [25] / -0</td> </tr> <tr> <td>12 [305] < L ≤ 60</td> <td>[1524]</td> <td>= +2 [51] / -0</td> </tr> <tr> <td>60 [1524] < L ≤ 120</td> <td>[3048]</td> <td>= +4 [102] / -0</td> </tr> <tr> <td>120 [3048] < L ≤ 300</td> <td>[7620]</td> <td>= +6 [152] / -0</td> </tr> <tr> <td>300 [7620] < L</td> <td></td> <td>= +5%L / -0</td> </tr> </table> <p>ALL DIMENSIONS SHOWN ARE FOR REFERENCE ONLY.</p>	X ± 0.2	[5.08]	FRACTIONS	XX ± 0.02	[.51]	+ 1/32	XXX ± 0.005	[.13]	ANGLES ± 1°	L ≤ 12	[305]	= +1 [25] / -0	12 [305] < L ≤ 60	[1524]	= +2 [51] / -0	60 [1524] < L ≤ 120	[3048]	= +4 [102] / -0	120 [3048] < L ≤ 300	[7620]	= +6 [152] / -0	300 [7620] < L		= +5%L / -0	<p>L-com™ an INFINITE brand</p> <p>50 High Street, West Mill, 3rd Floor, Suite #30 North Andover, MA 01845 USA</p> <p>Phone: 1.800.341.5266 1.978.682.6936 Fax: 1.978.689.9484</p> <p>Website: www.L-com.com E-mail: CustomerService@L-com.com</p>	<p>THIRD-ANGLE PROJECTION</p>  <p>THE INFORMATION AND DESIGN IN THIS DOCUMENT IS THE PROPERTY OF L-COM GLOBAL CONNECTIVITY. ALL RIGHTS RESERVED.</p> <p>SHEET 1 OF 1</p> <p>SCALE N/A</p>
X ± 0.2	[5.08]	FRACTIONS																								
XX ± 0.02	[.51]	+ 1/32																								
XXX ± 0.005	[.13]	ANGLES ± 1°																								
L ≤ 12	[305]	= +1 [25] / -0																								
12 [305] < L ≤ 60	[1524]	= +2 [51] / -0																								
60 [1524] < L ≤ 120	[3048]	= +4 [102] / -0																								
120 [3048] < L ≤ 300	[7620]	= +6 [152] / -0																								
300 [7620] < L		= +5%L / -0																								
SIZE	CAGE CODE	DRAWN BY	ITEM NO.																							
A	43321	DFRISIELLO	LMR-195-LLPL																							
			REV A																							

THESE COMMODITIES, TECHNOLOGY OR SOFTWARE WERE EXPORTED FROM THE UNITED STATES IN ACCORDANCE WITH THE EXPORT ADMINISTRATION REGULATIONS. DIVERSION CONTRARY TO U.S. LAW PROHIBITED.

T-Rev.D