

Low Loss Flexible LMR-195 Indoor / Outdoor Rated Coax Cable Double Shielded with Black PE Jacket



**LMR-195**



**Configuration**

- Low Loss, Outdoor Flexible Cable
- 2 Shield(s)

**Features**

- PE Jacket
- Max operating temperature 85°C
- Min Install Bend radius of 2 inches
- Phase Velocity 80% VoP
- Max operating Frequency of 5.8 GHz

**Applications**

- Antenna Installs
- RF Test systems
- General Purpose RF Interconnect
- Laboratory applications

**Description**

LMR-195 coax cable from L-com is only one of a large number of radio frequency coaxial cable types specifically stocked to be ready for quick shipment. L-com Microwave LMR-195 coax cable is manufactured in a flexible design and has a 50 Ohm impedance. This low loss flexible 50 Ohm coax cable LMR-195 is constructed with a 0.195 inch diameter and Black PE jacket.

LMR-195 flexible 50 Ohm coax cable with PE jacket is rated for a 5.8 GHz maximum operating frequency. This 50 Ohm 0.195 inch diameter and low loss flexible coax cable is built with a double shield count and RF shielding of 90 dB. L-com Microwave LMR-195 coax is constructed with PE (F) dielectric and a maximum operating temperature of 85 degrees C. Times Microwave LMR-195 coax cable specs for this wire properties can be found on its RF coax cable LMR-195 datasheet.

LMR-195 cable is part of more than one million RF, microwave parts in stock at L-com. This Times Microwave low loss LMR-195 coax cable is ready to buy and can be shipped worldwide. L-com also maintains a wide selection of other radio frequency coaxial cable types that ship same-day from our warehouse as with the rest of our other RF/microwave components.

\* LMR™ is a trademark of Times Microwave Systems.

**Electrical Specifications**

Description	Minimum	Typical	Maximum	Units
Frequency Range	DC		5.8	GHz
Cutoff Frequency		41		GHz
Impedance		50		Ohms
Velocity of Propagation		80		%
Shielding Effectiveness	90			dB
Dielectric Withstanding Voltage (DC)			1,000	Vdc
Jacket Spark			3,000	Vrms
Nominal Capacitance		25.4 [83.33]		pF/ft [pF/m]
Nominal Inductance		0.064 [0.21]		uH/ft [uH/m]
Input Power (Peak)			2.5	kWatts

Low Loss Flexible LMR-195 Indoor / Outdoor Rated Coax  
Cable Double Shielded with Black PE Jacket



**LMR-195**



**Performance by Frequency Band**

Description	F1	F2	F3	F4	F5	Units
Frequency	50	150	220	450	900	MHz
Attenuation, Typ	2.5	4.4	5.4	7.8	11.1	dB/100ft
	8.2	14.44	17.72	25.59	36.42	dB/100m
Input Power (CW), Max	680	390	320	220	160	Watts

Description	F6	F7	F8	F9	F10	Units
Frequency	1.5	1.8	2	2.5	5.8	GHz
Attenuation, Typ	14.5	16	16.9	19	29.9	dB/100ft
	47.57	52.49	55.45	62.34	98.1	dB/100m
Input Power (CW), Max	120	110	100	90	60	Watts

**Mechanical Specifications**

Diameter	0.195 in [4.95 mm]
Weight	0.023 lbs/ft [0.03 Kg/m]
Min. Bend Radius (Installation)	0.5 in [12.7 mm]
Min. Bend Radius (Repeated)	2 in [50.8 mm]
Bending Moment	0.2 lbs-ft [0.27 N-m]
Tensile Strength	40 lbs [18.14 kg]
Flat Plate Crush	15 lbs/in [0.27 Kg/mm]

**Construction Specifications**

Description	Material and Plating	Diameter
Inner Conductor	Copper 1 Strand(s)	0.037in [0.94mm]
Conductor Type	Solid	
Dielectric	PE (F)	0.11in [2.79mm]
First Shield	Aluminum Tape	
Second Shield	Tinned Copper Braid	
Jacket	PE, Black	0.195in [4.95mm]

Low Loss Flexible LMR-195 Indoor / Outdoor Rated Coax  
Cable Double Shielded with Black PE Jacket



**LMR-195**



**Environmental Specifications**

**Temperature**

Operating Range

-40°C to +85°C

Storage Range

-70°C to +85°C

**Compliance Certifications** (see [product page](#) for current document)

**Plotted and Other Data**

Low Loss Flexible LMR-195 Indoor / Outdoor Rated Coax Cable Double Shielded with Black PE Jacket from L-com has same day shipment for domestic and International orders. Our portfolio includes coaxial cable assemblies, connectors, adapters and custom products as well as lightning and surge protectors, NEMA rated enclosures, and an RF product line which includes antennas, amplifiers, passive, and active components.

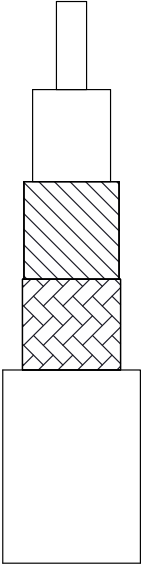
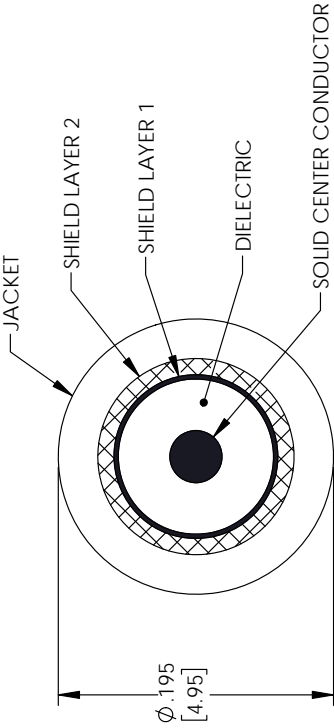
The information contained within this document is accurate to the best of our knowledge and representative of the part described herein. It may be necessary to make modifications to the part and/or the documentation of the part in order to implement improvements. L-com reserves the right to make such changes as required. Unless otherwise stated, all specifications are nominal. L-com does not make any representation or warranty regarding the suitability of the part described herein for any particular purpose, and L-com does not assume liability arising out of the use of any part or document.

# Low Loss Flexible LMR-195 Indoor / Outdoor Rated Coax Cable Double Shielded with Black PE Jacket


L-com CAD Drawing

REVISIONS		
REV.	DESCRIPTION	DATE
A	INITIAL RELEASE	2/7/20
		APPROVED S. ELLIS

<p>UNLESS OTHERWISE SPECIFIED LEADING DIMENSIONS ARE INCHES DIMENSIONS IN [ ] ARE MILLIMETERS</p> <p><b>TOLERANCES:</b></p> <table style="width: 100%; border: none;"> <tr> <td>X = ± 0.2</td> <td>[ 5.08 ]</td> <td>FRACTIONS</td> <td></td> </tr> <tr> <td>XX = ± 0.02</td> <td>[ 0.51 ]</td> <td></td> <td>+ 1/32</td> </tr> <tr> <td>XXX = ± 0.005</td> <td>[ 0.13 ]</td> <td>ANGLES ± 1°</td> <td></td> </tr> </table> <p><b>CABLE LENGTH (L) TOLERANCES:</b></p> <table style="width: 100%; border: none;"> <tr> <td>L ≤ 12</td> <td>[ 305 ]</td> <td>= +1 [ 25 ] / -0</td> </tr> <tr> <td>12 [ 305 ] &lt; L ≤ 60</td> <td>[ 1524 ]</td> <td>= +2 [ 51 ] / -0</td> </tr> <tr> <td>60 [ 1524 ] &lt; L ≤ 120</td> <td>[ 3048 ]</td> <td>= +4 [ 102 ] / -0</td> </tr> <tr> <td>120 [ 3048 ] &lt; L ≤ 300</td> <td>[ 7620 ]</td> <td>= +6 [ 152 ] / -0</td> </tr> <tr> <td>300 [ 7620 ] &lt; L</td> <td></td> <td>= +5% L / -0</td> </tr> </table> <p>ALL DIMENSIONS SHOWN ARE FOR REFERENCE ONLY.</p>	X = ± 0.2	[ 5.08 ]	FRACTIONS		XX = ± 0.02	[ 0.51 ]		+ 1/32	XXX = ± 0.005	[ 0.13 ]	ANGLES ± 1°		L ≤ 12	[ 305 ]	= +1 [ 25 ] / -0	12 [ 305 ] < L ≤ 60	[ 1524 ]	= +2 [ 51 ] / -0	60 [ 1524 ] < L ≤ 120	[ 3048 ]	= +4 [ 102 ] / -0	120 [ 3048 ] < L ≤ 300	[ 7620 ]	= +6 [ 152 ] / -0	300 [ 7620 ] < L		= +5% L / -0	<p><b>L-com™</b> an <b>INFINITE</b> brand</p> <p>50 High Street, West Mill, 3rd Floor, Suite #30 North Andover, MA 01845 USA Phone: 1.800.341.5266   1.978.682.6936 Fax: 1.978.689.9484 Website: www.L-com.com E-mail: CustomerService@L-com.com</p>	<p>THIRD-ANGLE PROJECTION</p>  <p>THE INFORMATION AND DESIGN IN THIS DOCUMENT IS THE PROPERTY OF L-COM GLOBAL CONNECTIVITY. ALL RIGHTS RESERVED.</p> <p>SHEET 1 OF 1</p> <p>SCALE N/A</p>
X = ± 0.2	[ 5.08 ]	FRACTIONS																											
XX = ± 0.02	[ 0.51 ]		+ 1/32																										
XXX = ± 0.005	[ 0.13 ]	ANGLES ± 1°																											
L ≤ 12	[ 305 ]	= +1 [ 25 ] / -0																											
12 [ 305 ] < L ≤ 60	[ 1524 ]	= +2 [ 51 ] / -0																											
60 [ 1524 ] < L ≤ 120	[ 3048 ]	= +4 [ 102 ] / -0																											
120 [ 3048 ] < L ≤ 300	[ 7620 ]	= +6 [ 152 ] / -0																											
300 [ 7620 ] < L		= +5% L / -0																											
SIZE A	CAGE CODE 43321	DRAWN BY DFRISIELLO	ITEM NO. LMR-195																										
			REV A																										

THESE COMMODITIES, TECHNOLOGY OR SOFTWARE WERE EXPORTED FROM THE UNITED STATES IN ACCORDANCE WITH THE EXPORT ADMINISTRATION REGULATIONS. DIVERSION CONTRARY TO U.S. LAW PROHIBITED.

T-Rev.D