

Low Loss Flexible LMR-240-DB Direct Burial Coax  
Cable Double Shielded with Black PE Jacket



**LMR-240-DB**



**Configuration**

- Low Loss Flexible Cable
- 2 Shield(s)

**Features**

- PE Jacket
- Max operating temperature 85°C
- Min Install Bend radius of 2.5 inches
- Phase Velocity 84% VoP
- Max operating Frequency of 5.8 GHz

**Applications**

- Antenna Installs
- RF Test systems
- General Purpose RF Interconnect
- Laboratory applications

**Description**

LMR-240-DB coax cable from L-com is only one of a large number of radio frequency coaxial cable types specifically stocked to be ready for quick shipment. L-com Microwave LMR-240-DB coax cable is manufactured in a flexible design and has a 50 Ohm impedance. This low loss flexible 50 Ohm coax cable LMR-240-DB is constructed with a 0.24 inch diameter and Black PE jacket.

LMR-240-DB flexible 50 Ohm coax cable with PE jacket is rated for a 5.8 GHz maximum operating frequency. This 50 Ohm 0.24 inch diameter and low loss flexible coax cable is built with a double shield count and RF shielding of 90 dB. L-com Microwave LMR-240-DB coax is constructed with PE (F) dielectric and a maximum operating temperature of 85 degrees C. Times Microwave LMR-240-DB coax cable specs for this wire properties can be found on its RF coax cable LMR-240-DB datasheet.

LMR-240-DB cable is part of more than one million RF, microwave parts in stock at L-com. This Times Microwave low loss LMR-240-DB coax cable is ready to buy and can be shipped worldwide. L-com also maintains a wide selection of other radio frequency coaxial cable types that ship same-day from our warehouse as with the rest of our other RF/microwave components.

\* LMR™ is a trademark of Times Microwave Systems.

**Electrical Specifications**

| Description                          | Minimum | Typical     | Maximum | Units        |
|--------------------------------------|---------|-------------|---------|--------------|
| Frequency Range                      | DC      |             | 5.8     | GHz          |
| Impedance                            |         | 50          |         | Ohms         |
| Velocity of Propagation              |         | 84          |         | %            |
| Shielding Effectiveness              | 90      |             |         | dB           |
| Dielectric Withstanding Voltage (DC) |         |             | 1,500   | Vdc          |
| Jacket Spark                         |         |             | 5,000   | Vrms         |
| Nominal Capacitance                  |         | 24.2 [79.4] |         | pF/ft [pF/m] |
| Nominal Inductance                   |         | 0.06 [0.2]  |         | uH/ft [uH/m] |
| Input Power (Peak)                   |         |             | 5.6     | kWatts       |

Low Loss Flexible LMR-240-DB Direct Burial Coax  
Cable Double Shielded with Black PE Jacket



**LMR-240-DB**



**Performance by Frequency Band**

| Description           | F1    | F2   | F3    | F4    | F5    | Units    |
|-----------------------|-------|------|-------|-------|-------|----------|
| Frequency             | 50    | 150  | 220   | 450   | 900   | MHz      |
| Attenuation, Typ      | 1.7   | 3    | 3.7   | 5.3   | 7.6   | dB/100ft |
|                       | 5.58  | 9.84 | 12.14 | 17.39 | 24.93 | dB/100m  |
| Input Power (CW), Max | 1,150 | 660  | 540   | 380   | 260   | Watts    |

| Description           | F6    | F7    | F8    | F9    | F10   | Units    |
|-----------------------|-------|-------|-------|-------|-------|----------|
| Frequency             | 1.5   | 1.8   | 2     | 2.5   | 5.8   | GHz      |
| Attenuation, Typ      | 9.9   | 10.9  | 11.5  | 12.9  | 20.4  | dB/100ft |
|                       | 32.48 | 35.76 | 37.73 | 42.32 | 66.93 | dB/100m  |
| Input Power (CW), Max | 200   | 180   | 170   | 150   | 100   | Watts    |

Electrical Specification Notes:

- Values at 25°C, sea level.
- Attenuation = 0.242080\*sqrt(FMHz) + 0.000330

**Mechanical Specifications**

|                                 |                          |
|---------------------------------|--------------------------|
| Diameter                        | 0.24 in [6.1 mm]         |
| Weight                          | 0.033 lbs/ft [0.05 Kg/m] |
| Min. Bend Radius (Installation) | 0.75 in [19.05 mm]       |
| Min. Bend Radius (Repeated)     | 2.5 in [63.5 mm]         |
| Bending Moment                  | 0.25 lbs-ft [0.34 N-m]   |
| Tensile Strength                | 80 lbs [36.29 kg]        |
| Flat Plate Crush                | 20 lbs/in [0.36 Kg/mm]   |

**Construction Specifications**

| Description     | Material and Plating | Diameter           |
|-----------------|----------------------|--------------------|
| Inner Conductor | Copper 1 Strand(s)   | 0.056in [1.42mm]   |
| Conductor Type  | Solid                |                    |
| Dielectric      | PE (F)               | 0.15in [3.81mm]    |
| First Shield    | Aluminum Tape        | 0.155 in [3.94 mm] |
| Second Shield   | Tinned Copper Braid  | 0.178 in [4.52 mm] |
| Jacket          | PE, Black            | 0.24in [6.1mm]     |

Low Loss Flexible LMR-240-DB Direct Burial Coax  
Cable Double Shielded with Black PE Jacket



**LMR-240-DB**



**Environmental Specifications**

**Temperature**

|                    |                |
|--------------------|----------------|
| Operating Range    | -40°C to +85°C |
| Installation Range | -40°C to +85°C |
| Storage Range      | -70°C to +85°C |

Environmental Specification Notes:  
Designed for indoor and outdoor use.

**Compliance Certifications** (see [product page](#) for current document)

**Plotted and Other Data**

Low Loss Flexible LMR-240-DB Direct Burial Coax Cable Double Shielded with Black PE Jacket from L-com has same day shipment for domestic and International orders. Our portfolio includes coaxial cable assemblies, connectors, adapters and custom products as well as lightning and surge protectors, NEMA rated enclosures, and an RF product line which includes antennas, amplifiers, passive, and active components.

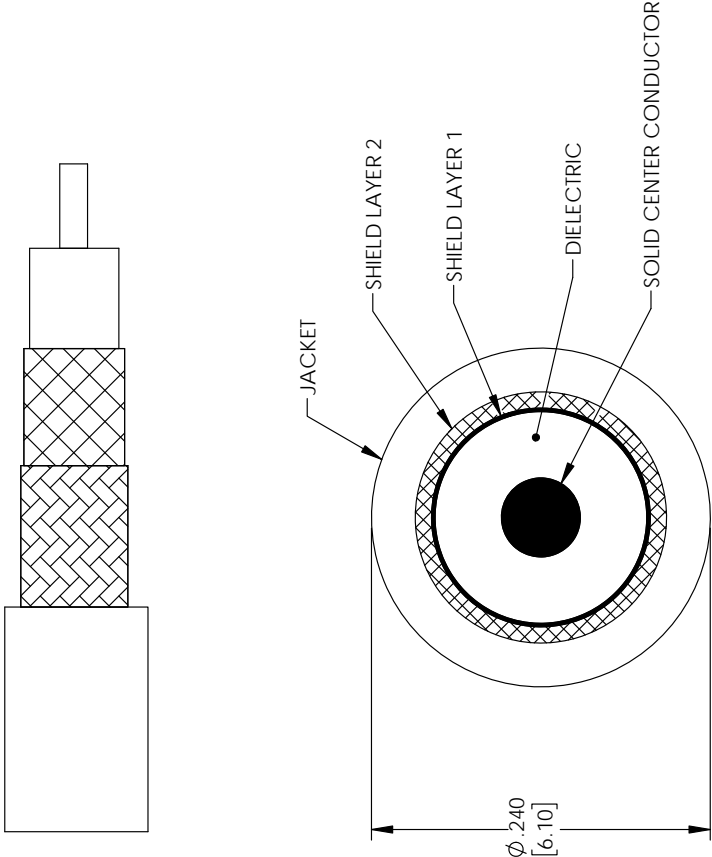
The information contained within this document is accurate to the best of our knowledge and representative of the part described herein. It may be necessary to make modifications to the part and/or the documentation of the part in order to implement improvements. L-com reserves the right to make such changes as required. Unless otherwise stated, all specifications are nominal. L-com does not make any representation or warranty regarding the suitability of the part described herein for any particular purpose, and L-com does not assume liability arising out of the use of any part or document.

# Low Loss Flexible LMR-240-DB Direct Burial Coax Cable Double Shielded with Black PE Jacket


L-com CAD Drawing

| REVISIONS |                 | DATE     | APPROVED |
|-----------|-----------------|----------|----------|
| REV.      | DESCRIPTION     | DATE     | APPROVED |
| A         | INITIAL RELEASE | 01/31/20 | S.ELLIS  |



THIRD-ANGLE PROJECTION



THE INFORMATION AND DESIGN IN THIS DOCUMENT IS THE PROPERTY OF L-COM GLOBAL CONNECTIVITY. ALL RIGHTS RESERVED.

SHEET 1 OF 1

SCALE N/A

UNLESS OTHERWISE SPECIFIED LEADING DIMENSIONS ARE INCHES DIMENSIONS IN [ ] ARE MILLIMETERS

TOLERANCES:

|             |       |             |       |
|-------------|-------|-------------|-------|
| X = ±.2     | [.08] | FRACTIONS   | +1/32 |
| XX = ±.02   | [.51] |             |       |
| XXX = ±.005 | [.13] | ANGLES ±.1° |       |

CABLE LENGTH (L) TOLERANCES:

|                      |        |                 |
|----------------------|--------|-----------------|
| L ≤ 12               | [305]  | = +1 [25] / -0  |
| 12 [305] < L ≤ 60    | [1524] | = +2 [51] / -0  |
| 60 [1524] < L ≤ 120  | [3048] | = +4 [102] / -0 |
| 120 [3048] < L ≤ 300 | [7620] | = +6 [152] / -0 |
| 300 [7620] < L       |        | = +5%L / -0     |

ALL DIMENSIONS SHOWN ARE FOR REFERENCE ONLY.

**L-com**  
an **INFINITE** brand

50 High Street, West Mill, 3rd Floor, Suite #30  
North Andover, MA 01845 USA

Phone: 1.800.341.5266 | 1.978.682.6936  
Fax: 1.978.689.9484  
Website: www.L-com.com  
E-mail: CustomerService@L-com.com

ITEM NO. LMR-240-DB

SIZE A CAGE CODE 43321 DRAWN BY DFRISIELLO

THESE COMMODITIES, TECHNOLOGY OR SOFTWARE WERE EXPORTED FROM THE UNITED STATES IN ACCORDANCE WITH THE EXPORT ADMINISTRATION REGULATIONS. DIVERSION CONTRARY TO U.S. LAW PROHIBITED.

T-Rev D