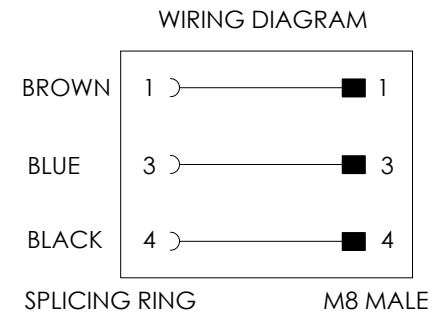
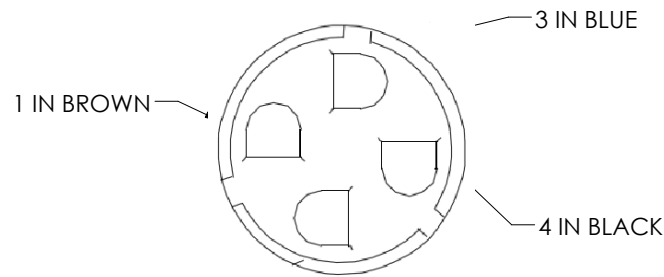
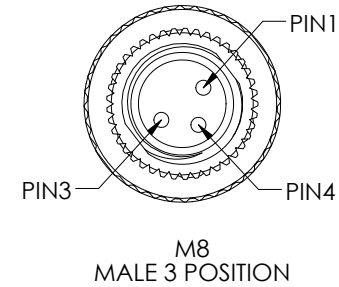
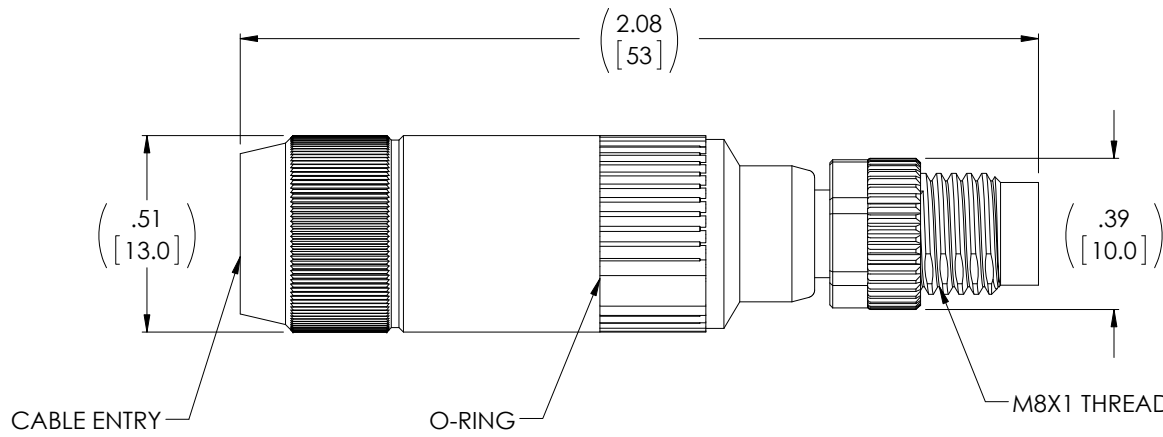


THE INFORMATION CONTAINED IN THIS DRAWING IS THE SOLE PROPERTY OF L-COM, INC. ANY REPRODUCTION IN PART OR WHOLE WITHOUT THE WRITTEN PERMISSION OF L-COM, INC. IS PROHIBITED.

| REVISIONS |                                       |          |          |
|-----------|---------------------------------------|----------|----------|
| REV       | DESCRIPTION                           | DATE     | APPROVED |
| A         | INITIAL RELEASE PER DUSTIN GUTTADAURO | 03/31/17 | J.LABOY  |
|           |                                       |          |          |
|           |                                       |          |          |



**NOTES:**

**MECHANICAL DATA**

- HOUSING: M8 MALE, 3 POLE
- CONDUCTOR CROSS SECTION: 23 AWG-20 AWG [0.25MM<sup>2</sup> - 0.5MM<sup>2</sup>]
- ISOLATION MATERIALS: PVC/PP/TPE
- WIRE DIAMETER: .047 [1.20MM] - .063 [1.60MM]
- CABLE OUTSIDE DIAMETER: .157 [4.0MM] - .201 [5.1MM]
- PROTECTION: IP67 (WHEN MATED AND TIGHTENED, EN60529)
- TEMP RANGE: -25°C TO +85°C

**MISCELLANEOUS**

- NOMINAL VOLTAGE: MAX 32V AC/DC
- RATED CURRENT: MAX 4A PER CONTACT
- ISOLATION RESISTANCE: CATEGORY III ACCORDING TO IEC 60664-1
- SHIPS UNASSEMBLED

**REGULATORY COMPLIANCE:**

CE 2011/65/EU (ROHS DIRECTIVE)

|  |                       |                          |  |  |
|--|-----------------------|--------------------------|--|--|
| UNLESS OTHERWISE SPECIFIED,<br>DIMENSIONS ARE IN INCHES [mm]<br>OVERALL CABLE LENGTH TOLERANCE:<br>≤12 [305] = +1 [25] / -0<br>>12 [305] ≤60 [1524] = +2 [51] / -0<br>>60 [1524] ≤120 [3048] = +4 [102] / -0<br>>120 [3048] ≤300 [7620] = +6 [152] / -0<br>>300 [7620] = +5% / -0%<br>ALL OTHER DIMENSIONAL TOLERANCES:<br>.X = ±.2 [5.08]<br>.XX = ±.02 [5.1]<br>.XXX = ±.005 [1.3] | APPROVALS             | DATE                     |  | 50 HIGH STREET<br>NORTH ANDOVER, MA<br>01845 |
|  | DRAWN BY<br>D.CUI     | 03/28/17                 |  |  |
| PROJECTION<br>   | CHECKED BY<br>B.ZHANG | 03/28/17                 | CATEGORY<br>TELECOM/MODULAR                      |  |
|  | APPROVED BY<br>S.PAN  | 03/28/17                 | PRODUCT DESCRIPTION<br>M8 ,MALE ,STRAIGHT 3-POLE |  |
| COLOR VARIATIONS<br>MAY OCCUR  | SIZE<br><b>A</b>      | FSCM NO.<br><b>43321</b> | DWG. NO.<br>M8FT3M                               | REV.<br><b>A</b>                             |
| SCALE: NONE  |                       | CAD FILE: M8FT3M.SLDDRW  |  | SHEET 1 OF 1                                 |