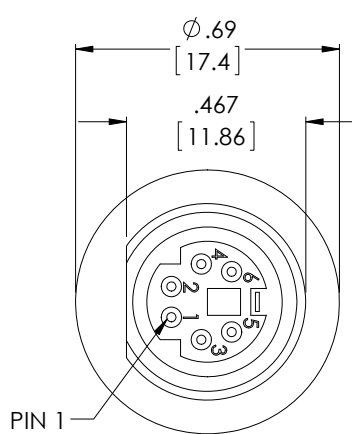
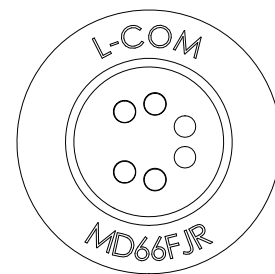
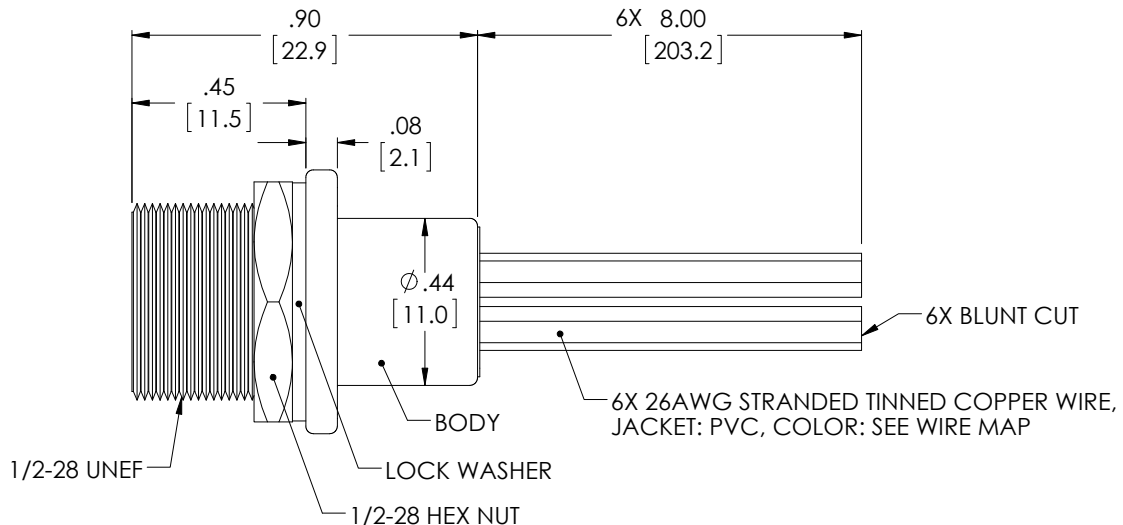


THE INFORMATION CONTAINED IN THIS DRAWING IS THE SOLE PROPERTY OF L-COM, INC. ANY REPRODUCTION IN PART OR WHOLE WITHOUT THE WRITTEN PERMISSION OF L-COM, INC. IS PROHIBITED.

REVISIONS			
REV	DESCRIPTION	DATE	APPROVED
A	DRAWING REPLACES MD66FJR-OD1	6/24/14	D. DESJARDIN



NUT AND WASHER REMOVED FOR CLARITY.



6 POSITION MINIATURE CIRCULAR DIN

WIRE MAP	
PIN NUMBER	WIRE COLOR
PIN 1	BLACK
PIN 2	WHITE
PIN 3	RED
PIN 4	GREEN
PIN 5	BROWN
PIN 6	BLUE

**NOTES:**

- FINISH OF EXTERNAL METAL PARTS NICKEL PLATED.
- REAR OF HOUSING IS POTTED.  
MATERIAL: SILICONE RESIN CONFORMAL COATING. COLOR; BLACK
- CABLE ASSEMBLY SHALL BE TESTED FOR CONTINUITY.
- CABLE ASSEMBLY SHALL BE INDIVIDUALLY PACKAGED IN ACCORDANCE WITH L-COM SPECIFICATION PS-0031.

**REGULATORY COMPLIANCE:**  
CE2011/65/EU (RoHS DIRECTIVE)

UNLESS OTHERWISE SPECIFIED, DIMENSIONS ARE IN INCHES [mm] OVERALL CABLE LENGTH TOLERANCE: ≤12 [305] = +1 [25] / -0 >12 [305] ≤60 [1524] = +2 [51] / -0 >60 [1524] ≤120 [3048] = +4 [102] / -0 >120 [3048] ≤300 [7620] = +6 [152] / -0 >300 [7620] = +5% / -0% ALL OTHER DIMENSIONAL TOLERANCES: .X = ±.2 [5.08] .XX = ±.02 [51] .XXX = ±.005 [1.3]	APPROVALS DRAWN BY R. CARRICK CHECKED BY AFC APPROVED BY AFC	DATE 12/28/99 12/28/99 12/28/99	45 BEECHWOOD DRIVE NORTH ANDOVER, MA 01845	
	CONFIGURATION DETAILS OF UNDIMENSIONED FEATURES MAY VARY			CATEGORY I/O PRODUCTS
	PROJECTION 	COLOR VARIATIONS MAY OCCUR	SIZE <b>A</b>	FSCM NO. <b>43321</b>
	MD66FJR-OD1	DWG. NO. <b>MD66FJR</b>	SCALE: NONE	CAD FILE: MD66FJR.SLDDRW