

THE INFORMATION CONTAINED IN THIS DRAWING IS THE SOLE PROPERTY OF L-COM, INC. ANY REPRODUCTION IN PART OR WHOLE WITHOUT THE WRITTEN PERMISSION OF L-COM, INC. IS PROHIBITED.

REVISIONS			
REV	DESCRIPTION	DATE	APPROVED
A	INITIAL RELEASE	02/18/2009	DFP
B	ECN 9684: UPDATED ADAPTER MODEL	02/07/2019	DFRISIELLO

D

C

B

A

8

7

6

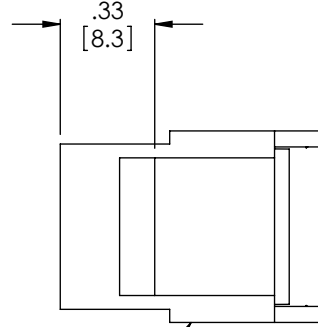
5

4

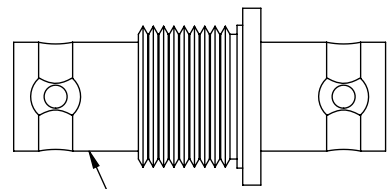
3

2

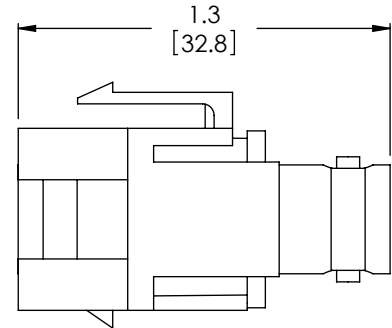
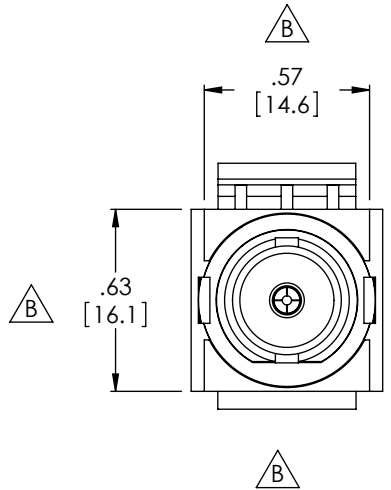
1



BNC TO KEYSTONE ADAPTER
ABS, COLOR WHITE



BNC JACK TO BNC JACK
BULKHEAD ADAPTOR
BODY: NICKEL PLATED BRASS
CONTACTS: GOLD PLATED BRASS
DIELECTRIC: ACETAL
IMPEDANCE: 75Ω



NOTE

1. COUPLER SHIPPED ASSEMBLED
2. COUPLER INDIVIDUALLY PACKAGED IN A POLYBAG
3. TOP VIEW SHOWN WITH PARTS SEPARATED FOR CLARITY

UNLESS OTHERWISE SPECIFIED, DIMENSIONS ARE IN INCHES [mm] OVERALL CABLE LENGTH TOLERANCE: ≤12 [305] = +1 [25] / -0 >12 [305] ≤60 [1524] = +2 [51] / -0 >60 [1524] ≤120 [3048] = +4 [102] / -0 >120 [3048] ≤300 [7620] = +6 [152] / -0 >300 [7620] = +5% / -0% ALL OTHER DIMENSIONAL TOLERANCES: .X = ± .2 [5.08] .XX = ± .02 [1.51] .XXX = ± .005 [1.13]	APPROVALS DRAWN BY D.PARHAM CHECKED BY DFRISIELLO APPROVED BY DFRISIELLO	DATE 10/13/2008 02/18/2009 02/18/2009			50 HIGH STREET NORTH ANDOVER, MA 01845		
	CATEGORY TELECOM/MODULAR		PRODUCT DESCRIPTION CPLR BNC F/F 75-OHM KEYSTONE				
	PROJECTION 	CONFIGURATION DETAILS OF UNDIMENSIONED FEATURES MAY VARY	COLOR VARIATIONS MAY OCCUR	SIZE A	FSCM NO. 43321	DWG. NO. MJSCPBN75-WT	REV. B
	SCALE: NONE		CAD FILE: MJSCPBN75-WT.SLDDRW		SHEET 1 OF 1		

8

7

6

5

4

3

2

1