

## 14x12x06 UL Listed Polycarbonate Weatherproof NEMA 3R IP24 Enclosure, 120 VAC Mount Plate, Solid State Therm Heat and Fan, Dark Gray



### NBPC141206-1HFS-UL

#### Features

- UL Listed® High-Impact, UV Resistant Polycarbonate (Dark Gray)
- Stainless steel latches with padlock eye
- NEMA Type 3R / IP24 rated
- Fully gasketed lid & user installed wall mounting brackets
- Features aluminum mounting plate with surge protected duplex 120 VAC outlets & solid state thermostat controlled heating and cooling system

#### Applications

- Indoor and outdoor installations
- Protection of equipment from theft or damage
- Rapid Deployment Installations
- Corrosive environments & hotspot applications
- Remote Wireless LAN WiFi equipment installations

#### Description

UL® Listed Enclosures

The NBPC141206-1HFS-UL is approved and listed with UL, meeting the stringent requirements for Communication Enclosure System 40XX.

The UL listing number is E326684. Use this enclosure when UL listed products are required by the project. Other UL listed enclosures are available with many popular features.

The box is a rugged weatherproof enclosure that is ideal for both indoor and outdoor applications. Constructed from High-Impact, UV Resistant Polycarbonate material that provides superior durability to impacts and ease of modification while maintaining minimum weight. It is well suited for high temperature or corrosive environments. The lid includes two vents with installed rain guards and filters. The included wall mount brackets come uninstalled and bagged with their hardware inside of the enclosure. Once the brackets are installed the enclosure can be mounted directly to any flat wall surface provided proper screws are used into secure studs. The brackets, once installed, also allow you to use our HGX-PMT pole mount kits. The lid features a non-metallic hinge system that allows for quick removal & can be reattached just as quickly without the need for any tools. The enclosure comes with a pair of stainless-steel latches with padlock eyes allowing you to secure the enclosure from tampering. The enclosure comes in Dark Gray (Pantone 422C).

#### Mounting Plate

The aluminum mounting plate included with the NBPC141206-1HFS-UL features standard surge protected duplex 120 VAC outlets and a terminal block for easy hook up to externally provided line power. The enclosure also features holes for two N-Bulkhead lightning protectors or connectors, a grounding lug and cable conduit connector.

#### Heating & Cooling

To help ensure trouble-free operation of electronic equipment, proper operating temperatures inside an enclosure needs to be controlled. With the built-in heater and cooling fan, internal temperatures can be better maintained. This model is ideal in Hot and/or Cold environments. The heaters & fans are controlled by an integral high current solid state AC relays. The relays features Zero Cross Detection for EMI reduction.

For Heating the NBPC141206-1HFS-UL includes our exclusive solid state temperature controller that utilizes a 200W heater. The controller features improved temperature set point accuracy. The heater turns on when the internal temperature drops to 16°F (-9° C) ±5° and turns off when the temperature hits 25° F (-4° C) ±5°. The heater does not require the use of any of the AC outlets, leaving them all available for your equipment. No extra room for the heaters is required since it is mounted underneath the plate.

For Cooling the NBPC141206-1HFS model includes our exclusive solid state temperature controller connected to a 16.4W fan. The high airflow, low noise fan used allows warm air to be actively pushed out while the lower vent passively pulls in outside air into the enclosure. Filters for both ports prevent foreign objects or debris from entering the enclosure. The controller features improved temperature set point accuracy. The fan turns on when the internal temperature rises to 90° F (32° C) ±5° and turns off at 81° F (27° C) ±5°. Like the heater, the cooling fan does not require the use of any of the AC outlets, leaving them all available for your equipment.

The HGX-PMT series of pole mounting kits allow the populated enclosure to be securely mounted to a variety of different size poles.

Compatible versions include HGX-PMT13, HGX-PMT16, HGX-PMT28, HGX-PMT29, HGX-PMT30 & HGX-PMT33

14x12x06 UL Listed Polycarbonate Weatherproof NEMA 3R IP24 Enclosure, 120 VAC Mount Plate, Solid State Therm Heat and Fan, Dark Gray



## NBPC141206-1HFS-UL

### Mechanical Specifications

Size	
Weight	13.3 lbs [6.03 kg]
Enclosure Material	Polycarbonate

### Environmental Specifications

### Compliance Certifications

UL Listed	E326684
-----------	---------

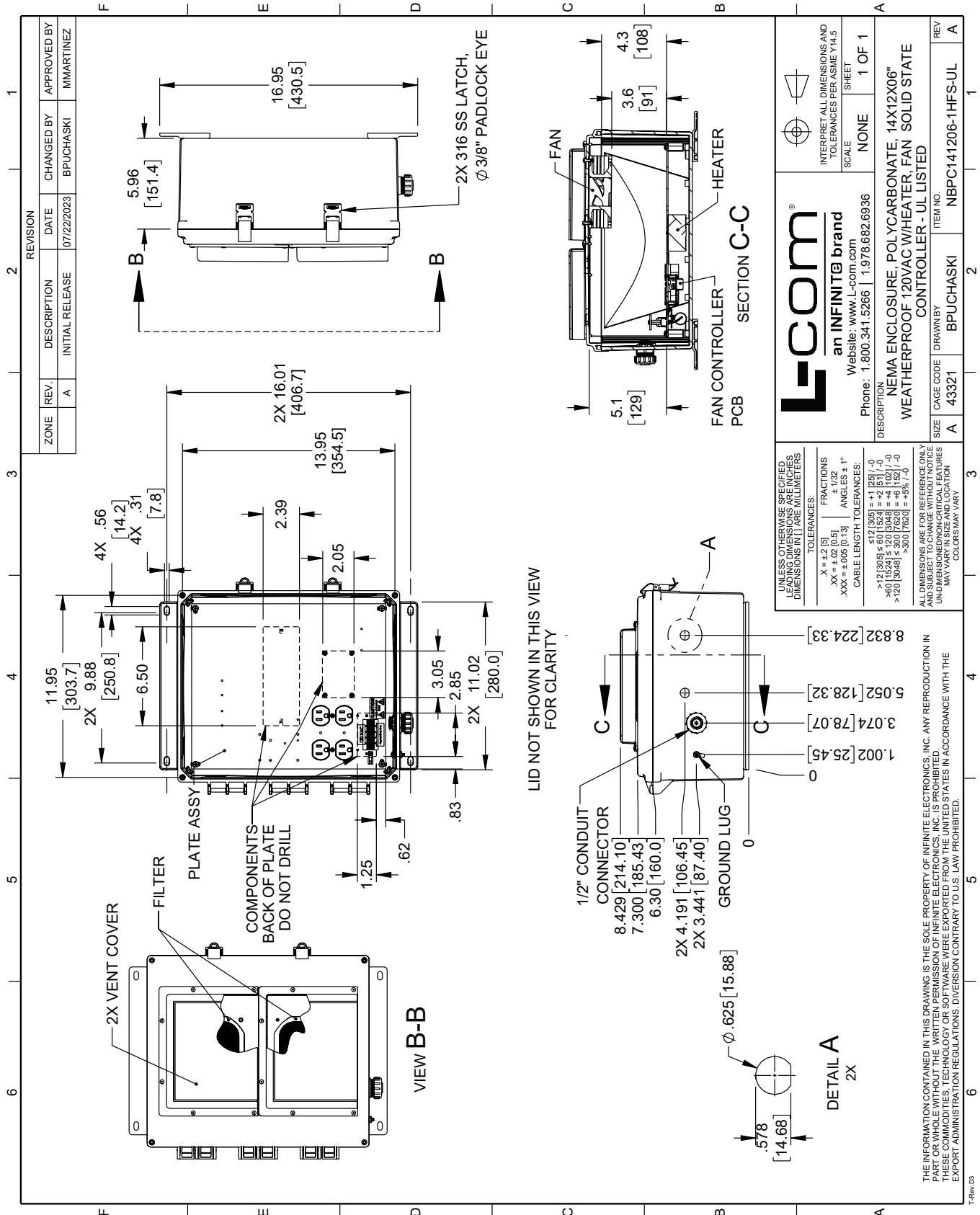
14x12x06 UL Listed Polycarbonate Weatherproof NEMA 3R IP24 Enclosure, 120 VAC Mount Plate, Solid State Therm Heat and Fan, Dark Gray from L-com has same day shipment for domestic and International orders. Our portfolio includes coaxial cable assemblies, connectors, adapters and custom products as well as lightning and surge protectors, NEMA rated enclosures, and an RF product line which includes antennas, amplifiers, passive, and active components.

URL: <https://www.l-com.com/14x12x06-ul-listed-polycarbonate-weatherproof-nema-3r-ip24-enclosure-120-vac-mount-plate-solid-state-therm-heat-fan-dark-gray-nbpc141206-1hfs-ul-p.aspx>

The information contained within this document is accurate to the best of our knowledge and representative of the part described herein. It may be necessary to make modifications to the part and/or the documentation of the part in order to implement improvements. L-com reserves the right to make such changes as required. Unless otherwise stated, all specifications are nominal. L-com does not make any representation or warranty regarding the suitability of the part described herein for any particular purpose, and L-com does not assume liability arising out of the use of any part or document.

# NBPC141206-1HFS-UL CAD Drawing

14x12x06 UL Listed Polycarbonate Weatherproof NEMA 3R IP24 Enclosure,  
120 VAC Mount Plate, Solid State Therm Heat and Fan, Dark Gray



LID NOT SHOWN IN THIS VIEW FOR CLARITY

THE INFORMATION CONTAINED IN THIS DRAWING IS THE SOLE PROPERTY OF INFINITE ELECTRONICS, INC. ANY REPRODUCTION IN PART OR WHOLE WITHOUT THE WRITTEN PERMISSION OF INFINITE ELECTRONICS, INC. IS PROHIBITED. THESE COMMODITIES, TECHNOLOGY OR SOFTWARE WERE EXPORTED FROM THE UNITED STATES IN ACCORDANCE WITH THE EXPORT ADMINISTRATION REGULATIONS. DIVERSION CONTRARY TO U.S. LAW PROHIBITED.