



an INFINIT® brand

14x12x06 UL Listed Polycarbonate Weatherproof Outdoor IP66 NEMA 4X Enclosure, Kit Bundled w/ Blank Plastic Mount Plate Dark Gray



NEMA Enclosures Technical Data Sheet

NBPC141206-KIT01

Features

- UL® Listed High-Impact, UV Resistant Polycarbonate (Dark Gray)
- Stainless steel latches with padlock eye
- NEMA Type 4X / IP66* rated (includes (4x) optional lid corner screws**)
- Fully gasketed lid & user installed wall mounting brackets
- Includes blank Non-Metallic Starboard mounting plate (uninstalled & kitted with the enclosure)

Applications

- Remote Wireless LAN WiFi equipment installations
- Indoor and outdoor installations
- Rapid Deployment Installations
- Corrosive environments & hotspot applications
- Protection of equipment from theft or damage

Description

The box is a rugged weatherproof enclosure that is ideal for both indoor and outdoor applications. Constructed from High-Impact, UV Resistant Polycarbonate material that provides superior durability to impacts and ease of modification while maintaining minimum weight. It is well suited for high temperature or corrosive environments. The included wall mount brackets come uninstalled and bagged with their hardware inside of the enclosure. Once the brackets are installed the enclosure can be mounted directly to any flat wall surface provided proper screws are used into secure studs. The brackets, once installed, also allow you to use our HGX-PMT pole mount kits. The lid features a non-metallic hinge system that allows for quick removal & can be reattached just as quickly without the need for any tools. The enclosure comes with a pair of stainless-steel latches with padlock eyes allowing you to secure the enclosure from tampering. The enclosure comes in a Dark Gray (Pantone 422C)

This kit is ideal for custom applications, which may require special modifications to the enclosure and mounting plate. The plastic mounting plate allows the radio signals to pass behind the enclosure. This increases the radio, when needed in an application.

Mounting Plate

The 0.25 inch thick blank Non-Metallic Starboard mounting plate included with the NBPC141206-KIT01 comes uninstalled and kitted with the enclosure so that you can modify or install as needed.

The HGX-PMT series of pole mounting kits allow the populated enclosure to be securely mounted to a variety of different size poles.

Compatible versions include HGX-PMT13, HGX-PMT16, HGX-PMT28, HGX-PMT29, HGX-PMT30, & HGX-PMT33

*Note: Any holes or openings you might introduce must be properly sealed to maintain NEMA Type 4X / IP66 rating

**Note: If all four of the optional lid screws are installed the enclosure can achieve NEMA 6P / IP68 however any holes or openings you may have added would have to be properly sealed with an IP68 rated plug, gland or coupler.

Size

Outer Height	14.6 in	[370.84 mm]
Outer Width	12.6 in	[320.04 mm]
Outer Depth	7.4 in	[187.96 mm]
Inner Height	13.7 in	[347.98 mm]
Inner Width	11.7 in	[297.18 mm]
Inner Depth	5.9 in	[149.86 mm]
Weight	8.6 lbs	[3.9 kg]
Enclosure Material	Polycarbonate	

Click the following link (or enter part number in "SEARCH" on website) to obtain additional part information including price, inventory and certifications: [14x12x06 UL Listed Polycarbonate Weatherproof Outdoor IP66 NEMA 4X Enclosure, Kit Bundled w/ Blank Plastic Mount Plate Dark Gray NBPC141206-KIT01](#)



an INFINIT^e brand

14x12x06 UL Listed Polycarbonate Weatherproof
Outdoor IP66 NEMA 4X Enclosure, Kit Bundled
w/ Blank Plastic Mount Plate Dark Gray



NEMA Enclosures Technical Data Sheet

NBPC141206-KIT01

Environmental Specifications

Temperature Rating	-40° to 265° F [-40° to 129° C]
NEMA Rating	4X
Ingress Protection (IP) Rating	IP66

Compliance Certifications

UL Listed	E508536
-----------	---------

Click the following link (or enter part number in "SEARCH" on website) to obtain additional part information including price, inventory and certifications: [14x12x06 UL Listed Polycarbonate Weatherproof Outdoor IP66 NEMA 4X Enclosure, Kit Bundled w/ Blank Plastic Mount Plate Dark Gray NBPC141206-KIT01](#)

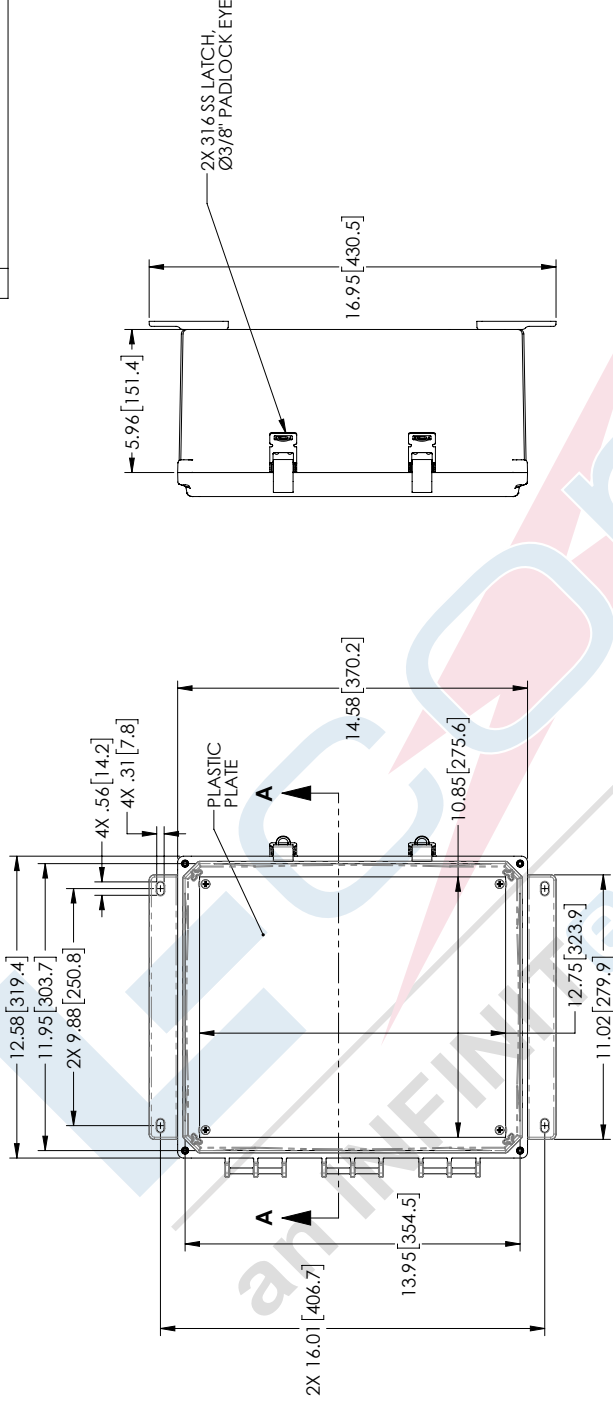
URL: <https://www.l-com.com/nema-enclosures-14x12x6-ul-listed-polycarbonate-weatherproof-nema-4x-enclosure-w-non-metallic-mount-plate-dk-gry-p.aspx>

NBPC141206-KIT01 CAD Drawing

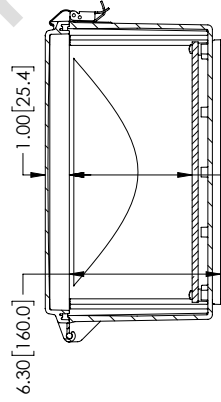
14x12x06 UL Listed Polycarbonate Weatherproof Outdoor IP66 NEMA
4X Enclosure, Kit Bundled w/ Blank Plastic Mount Plate Dark Gray

REV	INITIAL RELEASE	DATE	CHANGES BY
A		05/07/2019	MMARINEZ

REVISIONS	DESCRIPTION	DATE	CHANGES BY



LID NOT SHOWN IN THIS VIEW FOR CLARITY



L-com Global Connectivity
50 HIGH STREET
NORTH ANDOVER, MA 01845

CATEGORY: ENCLOSURE

PRODUCT DESCRIPTION: ENCL PC 14X12X06" w/BLANK PLASTIC MNT PLATE

REV: B 43321 NBPC141206-KIT01

SCALE: 1:1

APPROVALS	DATE
DRAWN BY: [Signature]	05/07/2019
CHECKED BY: [Signature]	05/07/2019
APPROVED BY: [Signature]	05/07/2019

UNLESS OTHERWISE SPECIFIED, DIMENSIONS ARE IN INCHES [MM].
 OVERALL DIMENSIONS: ±.010 [0.25]
 HOLE DIMENSIONS: ±.010 [0.25]
 ALL OTHER DIMENSIONAL TOLERANCES: ±.010 [0.25]
 X = ±.010 [0.25]
 XXX = ±.010 [0.25]

PROJECTION:

CONFIGURATIONS OF ALL OTHER UNIDENTIFIED FEATURES MAY VARY

COLOR VARIATIONS MAY OCCUR

- NOTES:**
1. ENCLOSURE MATERIAL: LIGHT GRAY (PANTONE 422C) HIGH-IMPACT, UV RESISTANT POLYCARBONATE.
 2. TEMPERATURE RANGE: -40°F TO 265°F
 3. CABINETS ARE MAINTENANCE FREE AND CORROSION RESISTANT.
 4. SHALL BE PACKAGED AS PER L-COM SPEC
 5. ALL DIMENSIONS FOR REFERENCE ONLY.