

12x10x5 Inch Weatherproof Enclosure with Transparent Lexan Window and Starboard Mounting Plate

Model: NBW121005-KIT01

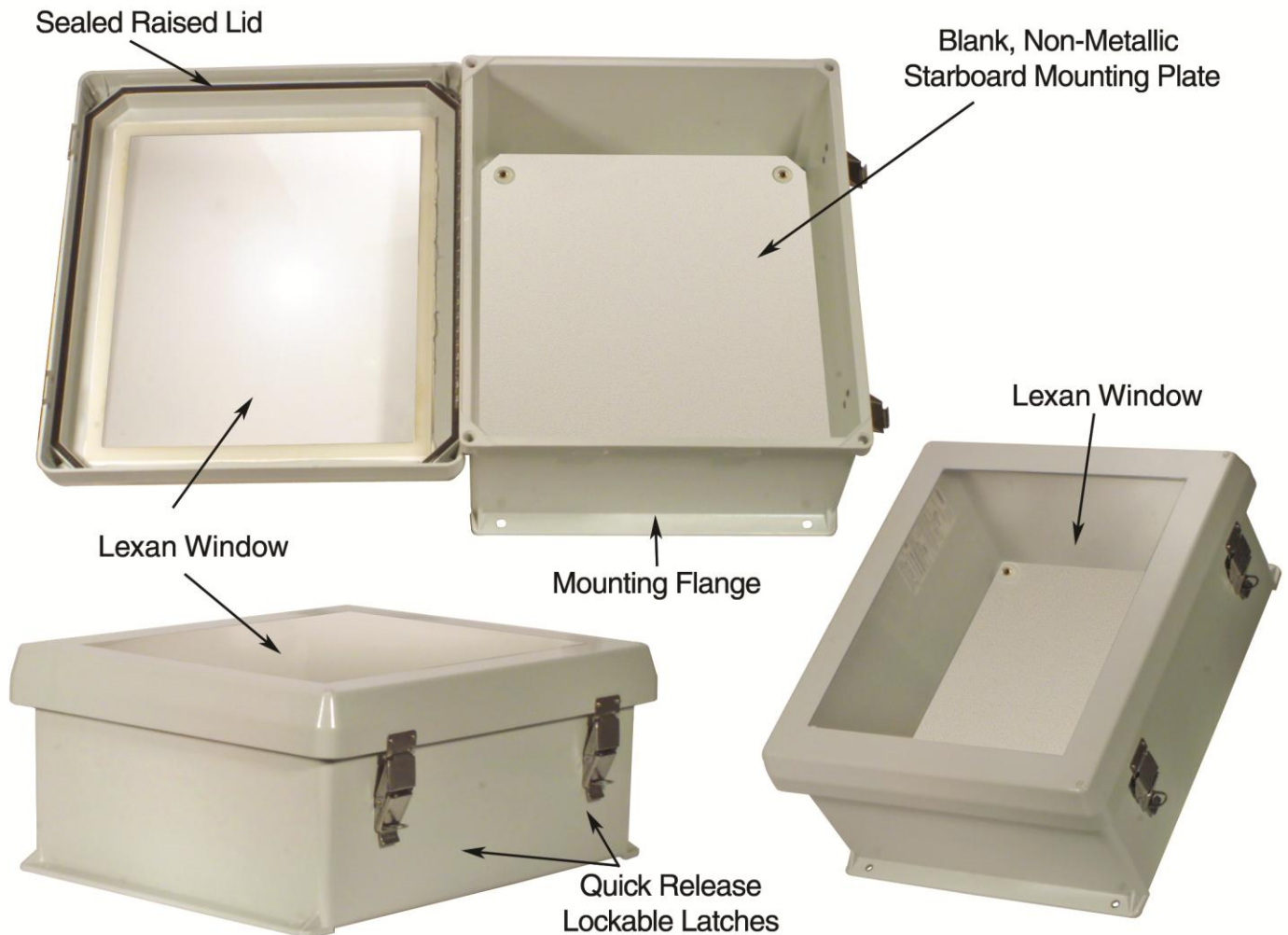
Applications and Features

Features:

- Molded Fiberglass Reinforced Polyester (FRP) industrial Enclosure with Bonded Lexan Window
- Stainless steel quick release latches with padlock hasps
- NEMA Type 4, 4X / IP66 rated
- Fully gasketed raised lid & integral mounting flange
- Includes blank, Non-Metallic Starboard Mounting Plate

Applications:

- Remote Wireless LAN WiFi equipment installations
- Indoor and outdoor installations
- Rapid Deployment Installations
- Corrosive environments & hotspot applications
- Protection of equipment from theft or damage



Product Description

The NBW121005-KIT01 is a rugged weatherproof enclosure that is ideal for both indoor and outdoor applications. Constructed from molded fiberglass reinforced polyester, it is well suited for high temperature or corrosive environments. The mounting feet allow the enclosure to be wall mounted as well as on a flat surface. The raised lid features a stainless steel continuous hinge and stainless steel quick release latches with padlock hasps. The raised lid is fully gasketed. The enclosure material is UV stabilized and comes in neutral gray color.

The NBW121005-KIT01 includes a Blank Non-Metallic Starboard Mounting Plate permitting free form layout of equipment. Mounting stand-offs inside the enclosure are used to secure the Mounting Plate. This enclosure is ideal for use as electrical junction boxes or instrumentation enclosures in highly corrosive environments including oil refineries, chemical processing plants, waste water treatment facilities, marine installations, electroplating plants, food processing plants, and agricultural environments. This enclosure is also suitable as instrument housing in both indoor and outdoor applications as the window provides easy visual inspection of interior components.

Model: NBW121005-KIT01

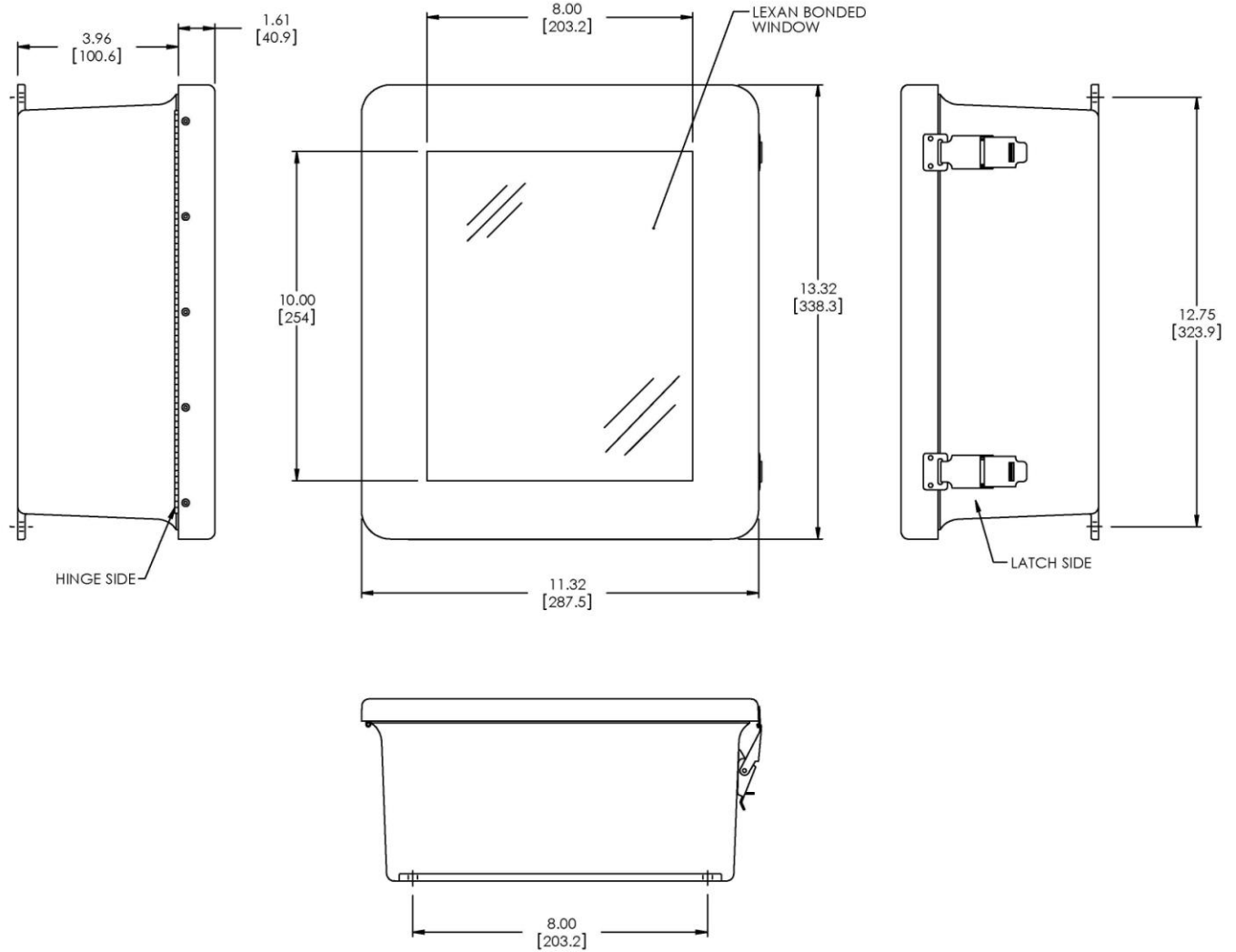
Specifications

Enclosure Material	Fiberglass Reinforced Polyester
Enclosure Color	Neutral Gray (RAL 7036)
Weight	7.8 lbs (3.5 kg)
Outside Dimensions (max)	13.3 x 11.3 x 5.5 inches (33.7 x 28.7 x 13.9 cm)
Inside Dimensions	12.0 x 10.0 x 4.8 inches (30.4 x 25.4 x 12.1 cm)
Non-Metallic Mounting Plate, Blank	12.00x9.13x0.250 inches 30.8 x 23.2 x 0.2 cm
Flame Rating	UL 94-5V
RoHS Compliant	Yes
Ratings*	NEMA Type 4, 4X / IP66

*Note: Enclosure ports (Cable conduit connector and N-type holes for lightning protectors or connectors) must be properly sealed to maintain NEMA Type 4, 4X / IP66 rating.

Enclosure and Mounting Plate Dimensions

NBW121005 Enclosure



Blank Non-Metallic Mounting Plate (.250 inches thick)

