

Pressure Sensor, 35 MPa, 4-20mA, G1/4, 1.5m cable



## PT211-113DW Pressure Sensor

### Features

- Advanced Micro-fused Silicon Strain Gauge
- Efficient lightning protection
- Strong RFI&EMI protection
- Advanced digital temperature compensation
- Wide working temperature range
- High accuracy, high frequency response, and good long-term stability

### Applications

- Industrial process control
- Automatic testing systems
- Hydraulic and pneumatic systems
- Pump station and water treatment systems
- Industrial machinery

### Description

The PT211-113DW from L-com is a gauge-style pressure sensor with a 35 MPa maximum pressure range. This pressure sensor has a 4-20 mA output with 1.5 meter cable electric connection. This 35 MPa sensor is powered by DC voltage ranging from 9 to 30 VDC. Our pressure sensor has an IP65 ingress protection rating. Make your online purchase right now to take advantage of our same-day shipping.

### General Specifications

Application: Pressure Sensor  
 Pressure Type: Gauge  
 Electrical Connector: 1.5 meter cable  
 Process Connector: G1/4  
 Output Signal: 4-20 mA

Description	Minimum	Typical	Maximum	Unit
Pressure Range	0		35	Mpa
Accuracy		±0.5		% Full Scale
Compensated Temp Range	-20		85	deg C
Overpressure		300		% Full Scale
Destruction Pressure		500		% Full Scale
Long Term Stability		0.1		% Full Scale
Temperature Range	-40		85	deg C

Click the following link (or enter part number in "SEARCH" on website) to obtain additional part information including price, inventory and certifications:  
[Pressure Sensor, 35 MPa, 4-20mA, G1/4, 1.5m cable PT211-113DW](#)

Pressure Sensor, 35 MPa, 4-20mA, G1/4, 1.5m cable



**PT211-113DW  
Pressure Sensor**

**Electrical Specifications**

Description	Minimum	Typical	Maximum	Unit
Power Supply/Excitation Level	9	24	30	VDC

**Material Specifications**

Description	Material
Housing	SS (17-4PH)

**Mechanical Specifications**

RoHS Compliant Yes

**Environmental Specifications**

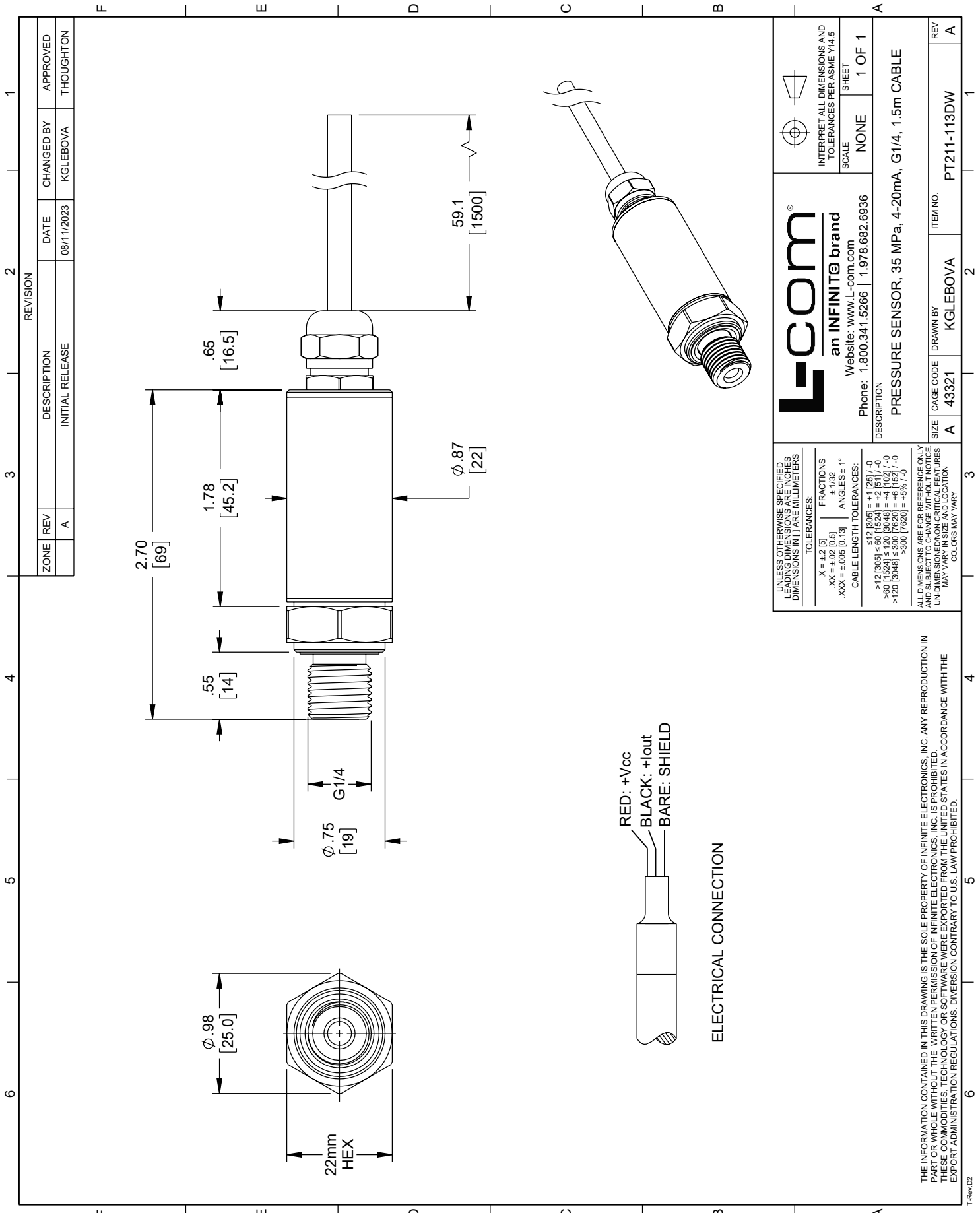
Temperature (Operating) -40deg C to 85deg C  
 Temperature (Storage) -40deg C to 125deg C  
 Shock 100 g  
 Ingress Protection IP65

The Infinite Electronics portfolio includes coaxial cable assemblies, connectors, adapters and custom products, as well as our wireless product line which includes antennas, RF amplifiers, lightning and surge protectors, and NEMA rated enclosures.

The information contained in this document is accurate to the best of our knowledge and representative of the part described herein. It may be necessary to make modifications to the part and/or the documentation of the part, in order to implement improvements. L-com reserves the right to make such changes as required. Unless otherwise stated, all specifications are nominal. L-com does not make any representation or warranty regarding the suitability of the part described herein for any particular purpose, and L-com does not assume any liability arising out of the use of any part or documentation.

# PT211-113DW CAD Drawing

Pressure Sensor, 35 MPa, 4-20mA, G1/4, 1.5m cable



ZONE		REVISION		DESCRIPTION		DATE		CHANGED BY		APPROVED	
	A			INITIAL RELEASE		08/11/2023		KGLEBOVA		THOUGHTON	

 <b>an INFINITE brand</b> Website: www.L-com.com		INTERPRET ALL DIMENSIONS AND TOLERANCES PER ASME Y14.5	
Phone: 1.800.341.5266   1.978.682.6936		SCALE	NONE
DESCRIPTION: PRESSURE SENSOR, 35 MPa, 4-20mA, G1/4, 1.5m CABLE		SHEET	1 OF 1
SIZE	A	CAGE CODE	43321
DRAWN BY	KGLEBOVA	ITEM NO.	PT211-113DW
REV	A		

UNLESS OTHERWISE SPECIFIED, DIMENSIONS ARE IN MILLIMETERS

TOLERANCES:

X = ±.2 [5]	FRACTIONS
.XX = ±.02 [0.5]	± 1/32
.XXX = ±.005 [0.13]	ANGLES ± 1°

CABLE LENGTH TOLERANCES:

>12 [305] ≤ 60 [1524]	= +.2 [5] / -0
>60 [1524] ≤ 120 [3048]	= +.4 [102] / -0
>120 [3048] ≤ 300 [7620]	= +.6 [152] / -0
>300 [7620]	= +.8% / -0

ALL DIMENSIONS ARE FOR REFERENCE ONLY AND SUBJECT TO CHANGE WITHOUT NOTICE UNLESS INDICATED OTHERWISE. DIMENSIONS MAY VARY.

THE INFORMATION CONTAINED IN THIS DRAWING IS THE SOLE PROPERTY OF INFINITE ELECTRONICS, INC. ANY REPRODUCTION IN WHOLE OR IN PART WITHOUT THE WRITTEN PERMISSION OF INFINITE ELECTRONICS, INC. IS PROHIBITED. THESE COMMODITIES, TECHNOLOGY OR SOFTWARE WERE EXPORTED FROM THE UNITED STATES IN ACCORDANCE WITH THE EXPORT ADMINISTRATION REGULATIONS, DIVISION CONTRARY TO U.S. LAW PROHIBITED.