

Pressure Sensor, compact, 1 MPa, 4-20mA, G1/4, M12



## PT211A-201 Pressure Sensor

### Features

- Advanced Microfused Silicon Strain Gauge
- Efficient lightning protection
- Strong RFI&EMI protection
- Advanced digital temperature compensation
- Wide working temperature range
- High accuracy, high frequency response
- Compact design
- Cost effective

### Applications

- Industrial process control
- Automatic testing system
- Hydraulic and pneumatic systems
- Pump station and water treatment system
- Industrial machinery

### Description

The L-com PT211A-201 compact IoT pressure sensor is designed for hydraulic, pneumatic, water treatment, machinery, industrial process testing and control applications. This pressure transducer has an advanced micro-fused silicon strain gauge that measures a maximum pressure range of 1 Mpa. Our sensor comes with a IP65 stainless steel housing which eliminates the potential for leaks.

### General Specifications

Application:	Pressure Sensor
Pressure Type:	Gauge
Electrical Connector:	M12 connector
Process Connector:	G1/4
Output Signal:	4-20 mA

Description	Minimum	Typical	Maximum	Unit
Pressure Range	0		1	Mpa
Accuracy		±0.5		% Full Scale
Compensated Temp Range	-10		70	deg C
Overpressure		300		% Full Scale
Destruction Pressure		500		% Full Scale
Long Term Stability		0.2		% Full Scale
Temperature Range	-40		85	deg C

### Electrical Specifications

Description	Minimum	Typical	Maximum	Unit
Power Supply/Excitation Level	9	24	30	VDC

Click the following link (or enter part number in "SEARCH" on website) to obtain additional part information including price, inventory and certifications:  
[Pressure Sensor, compact, 1 MPa, 4-20mA, G1/4, M12 PT211A-201](#)

Pressure Sensor, compact, 1 MPa, 4-20mA, G1/4, M12



**PT211A-201  
Pressure Sensor**

**Material Specifications**

Description	Material
Housing	SS (17-4PH)

**Mechanical Specifications**

RoHS Compliant Yes

**Environmental Specifications**

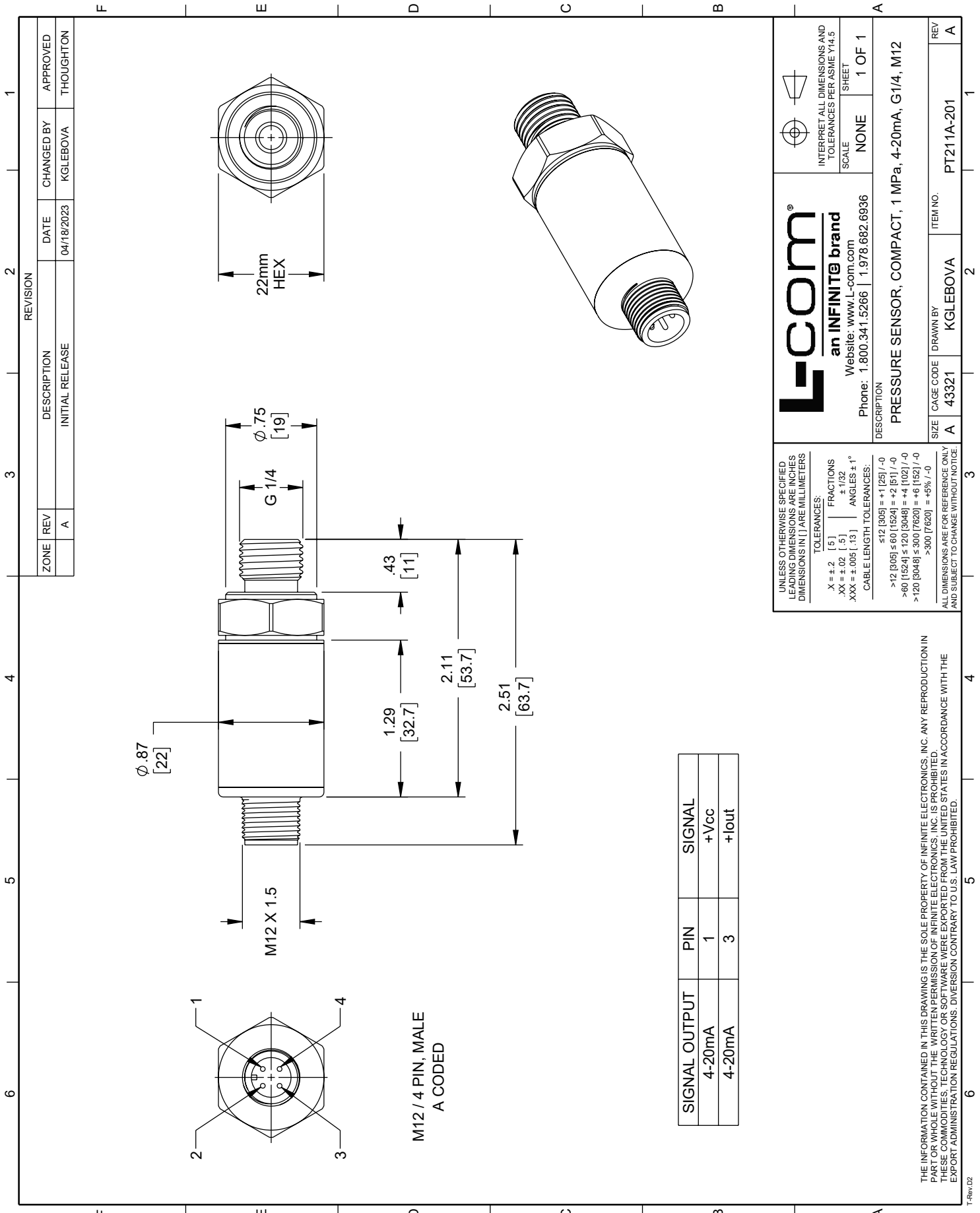
Temperature (Operating)      -40deg C to 85deg C  
 Temperature (Storage)        -40deg C to 125deg C  
 Shock                                100 g  
 Ingress Protection                IP65

The Infinite Electronics portfolio includes coaxial cable assemblies, connectors, adapters and custom products, as well as our wireless product line which includes antennas, RF amplifiers, lightning and surge protectors, and NEMA rated enclosures.

The information contained in this document is accurate to the best of our knowledge and representative of the part described herein. It may be necessary to make modifications to the part and/or the documentation of the part, in order to implement improvements. L-com reserves the right to make such changes as required. Unless otherwise stated, all specifications are nominal. L-com does not make any representation or warranty regarding the suitability of the part described herein for any particular purpose, and L-com does not assume any liability arising out of the use of any part or documentation.

# PT211A-201 CAD Drawing

Pressure Sensor, compact, 1 MPa, 4-20mA, G1/4, M12



SIGNAL OUTPUT	PIN	SIGNAL
4-20mA	1	+Vcc
4-20mA	3	+Iout

<p>UNLESS OTHERWISE SPECIFIED LEADING DIMENSIONS ARE INCHES DIMENSIONS IN [ ] ARE MILLIMETERS</p> <p>TOLERANCES:</p> <p>.X = ±.2 [5]    FRACTIONS ± 1/32          .XX = ±.02 [.5]    ANGLES ± 1°          .XXX = ±.005 [.13]</p> <p>CABLE LENGTH TOLERANCES:</p> <p>&lt;12 [305] = +1 [25] / -0          &gt;12 [305] ≤ 60 [1524] = +2 [51] / -0          &gt;60 [1524] ≤ 120 [3048] = +4 [102] / -0          &gt;120 [3048] ≤ 300 [7620] = +6 [152] / -0          &gt;300 [7620] = +5% / -0</p>	<p><b>L-com</b>          an INFINITE brand          Website: <a href="http://www.L-com.com">www.L-com.com</a>          Phone: 1.800.341.5266   1.978.682.6936</p>	<p>INTERPRET ALL DIMENSIONS AND TOLERANCES PER ASME Y14.5</p> <p>SCALE NONE</p> <p>SHEET 1 OF 1</p>	<p>DESCRIPTION          PRESSURE SENSOR, COMPACT, 1 MPa, 4-20mA, G1/4, M12</p>
<p>REV A</p> <p>DATE 04/18/2023</p> <p>CHANGED BY KGLEBOVA</p> <p>APPROVED THOUGHTON</p>		<p>REV A</p> <p>ITEM NO. PT211A-201</p>	

THE INFORMATION CONTAINED IN THIS DRAWING IS THE SOLE PROPERTY OF INFINITE ELECTRONICS, INC. ANY REPRODUCTION IN PART OR IN WHOLE WITHOUT THE WRITTEN PERMISSION OF INFINITE ELECTRONICS, INC. IS PROHIBITED. THESE COMMODITIES, TECHNOLOGY OR SOFTWARE WERE EXPORTED FROM THE UNITED STATES IN ACCORDANCE WITH THE EXPORT ADMINISTRATION REGULATIONS, DIVISION CONTRARY TO U.S. LAW PROHIBITED.