

Pressure Sensor, compact, 2.5 MPa, 4-20mA, G1/4, 1.5m cable



PT211A-203DW Pressure Sensor

Features

- Advanced Microfused Silicon Strain Gauge
- Efficient lightning protection
- Strong RFI&EMI protection
- Advanced digital temperature compensation
- Wide working temperature range
- High accuracy, high frequency response
- Compact design
- Cost effective

Applications

- Industrial process control
- Automatic testing system
- Hydraulic and pneumatic systems
- Pump station and water treatment system
- Industrial machinery

Description

The PT211A-203DW from L-com is a gauge-style pressure sensor with a 2.5 MPa maximum pressure range. This pressure sensor has a 4-20 mA output with 1.5 meter cable electric connection. This 2.5 MPa sensor is powered by DC voltage ranging from 9 to 30 VDC. Our pressure sensor has an IP65 ingress protection rating. Make your online purchase right now to take advantage of our same-day shipping.

General Specifications

Application: Pressure Sensor
 Pressure Type: Gauge
 Electrical Connector: 1.5 meter cable
 Process Connector: G1/4
 Output Signal: 4-20 mA

Description	Minimum	Typical	Maximum	Unit
Pressure Range	0		2.5	Mpa
Accuracy		±0.5		% Full Scale
Compensated Temp Range	-10		70	deg C
Overpressure		300		% Full Scale
Destruction Pressure		500		% Full Scale
Long Term Stability		0.2		% Full Scale
Temperature Range	-40		85	deg C

Click the following link (or enter part number in "SEARCH" on website) to obtain additional part information including price, inventory and certifications:
[Pressure Sensor, compact, 2.5 MPa, 4-20mA, G1/4, 1.5m cable PT211A-203DW](#)

Pressure Sensor, compact, 2.5 MPa, 4-20mA, G1/4, 1.5m cable



**PT211A-203DW
Pressure Sensor**

Electrical Specifications

Description	Minimum	Typical	Maximum	Unit
Power Supply/Excitation Level	9	24	30	VDC

Material Specifications

Description	Material
Housing	SS (17-4PH)

Mechanical Specifications

RoHS Compliant Yes

Environmental Specifications

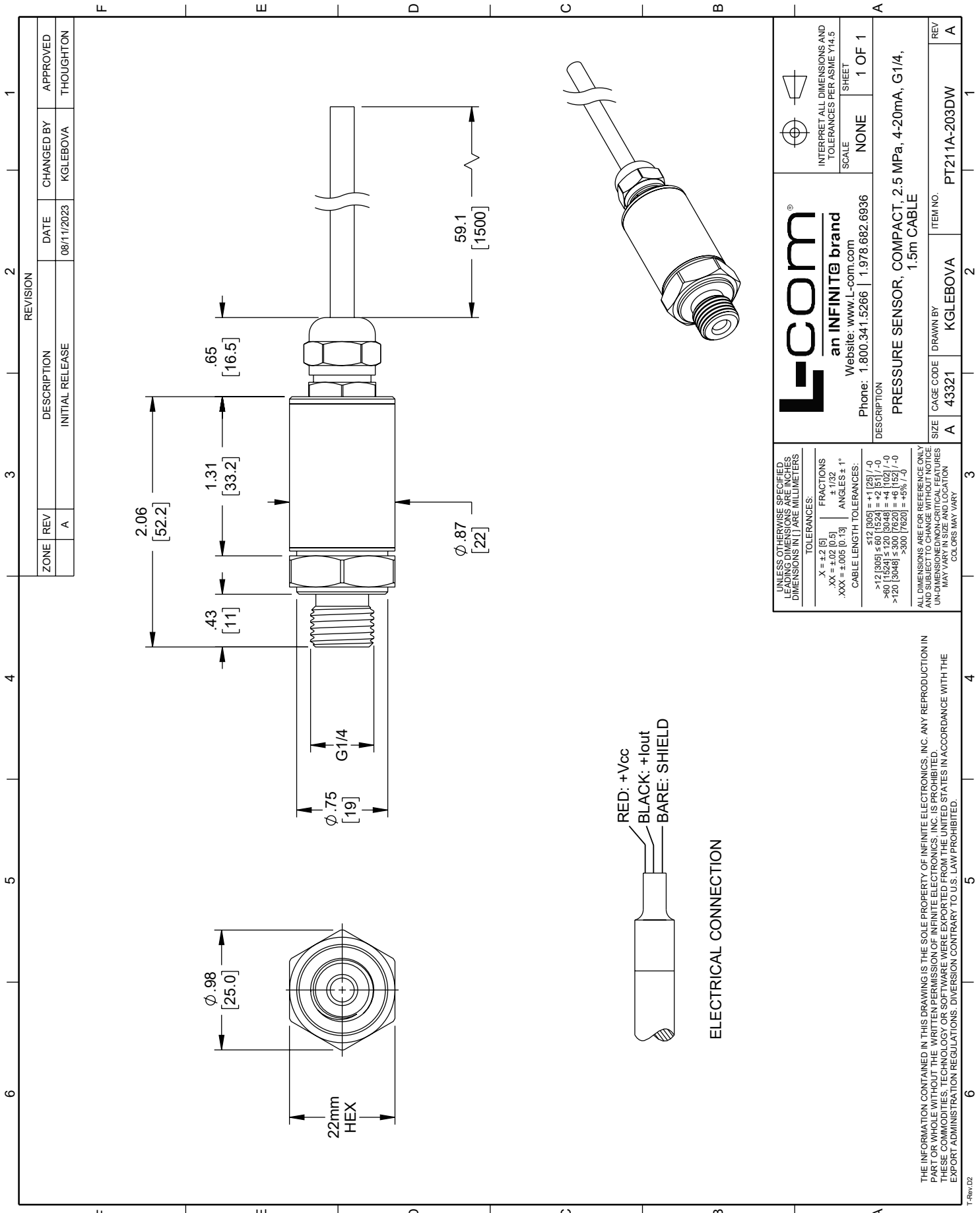
Temperature (Operating) -40deg C to 85deg C
 Temperature (Storage) -40deg C to 125deg C
 Shock 100 g
 Ingress Protection IP65

The Infinite Electronics portfolio includes coaxial cable assemblies, connectors, adapters and custom products, as well as our wireless product line which includes antennas, RF amplifiers, lightning and surge protectors, and NEMA rated enclosures.

The information contained in this document is accurate to the best of our knowledge and representative of the part described herein. It may be necessary to make modifications to the part and/or the documentation of the part, in order to implement improvements. L-com reserves the right to make such changes as required. Unless otherwise stated, all specifications are nominal. L-com does not make any representation or warranty regarding the suitability of the part described herein for any particular purpose, and L-com does not assume any liability arising out of the use of any part or documentation.

PT211A-203DW CAD Drawing

Pressure Sensor, compact, 2.5 MPa, 4-20mA, G1/4, 1.5m cable



UNLESS OTHERWISE SPECIFIED, DIMENSIONS ARE IN INCHES. DIMENSIONS IN [] ARE IN MILLIMETERS.		INTERPRET ALL DIMENSIONS AND TOLERANCES PER ASME Y14.5
TOLERANCES:		SHEET 1 OF 1
X = ±.2 [5]	FRACTIONS ± 1/32	SCALE NONE
.XX = ±.02 [0.5]	ANGLES ± 1°	
.XXX = ±.005 [0.13]	CABLE LENGTH TOLERANCES:	
	<12 [305] ≤ 60 [1524] = +1 [25] / -0	
	>60 [1524] ≤ 120 [3048] = +4 [102] / -0	
	>120 [3048] ≤ 300 [7620] = +6 [152] / -0	
	>300 [7620] = +8% / -0	

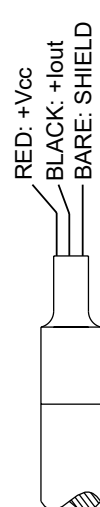
L-com
an INFINITE brand
 Website: www.L-com.com
 Phone: 1.800.341.5266 | 1.978.682.6936

DESCRIPTION: PRESSURE SENSOR, COMPACT, 2.5 MPa, 4-20mA, G1/4, 1.5m CABLE

ALL DIMENSIONS ARE FOR REFERENCE ONLY AND SUBJECT TO CHANGE WITHOUT NOTICE UNLESS INDICATED OTHERWISE. UN-DIMENSIONED NON-CRITICAL FEATURES MAY VARY FROM INDICATION. COLORS MAY VARY.

ZONE	REV	DESCRIPTION	DATE	CHANGED BY	APPROVED
	A	INITIAL RELEASE	08/11/2023	KGLEBOVA	THOUGHTON

REV	DESCRIPTION	DATE
A	PT211A-203DW	



ELECTRICAL CONNECTION

THE INFORMATION CONTAINED IN THIS DRAWING IS THE SOLE PROPERTY OF INFINITE ELECTRONICS, INC. ANY REPRODUCTION IN PART OR IN WHOLE WITHOUT THE WRITTEN PERMISSION OF INFINITE ELECTRONICS, INC. IS PROHIBITED. THESE COMMODITIES, TECHNOLOGY OR SOFTWARE WERE EXPORTED FROM THE UNITED STATES IN ACCORDANCE WITH THE EXPORT ADMINISTRATION REGULATIONS, DIVISION CONTRARY TO U.S. LAW PROHIBITED.