

General Purpose Connectors

This long established series of connectors still find many uses where small, but lower current connections are needed. The range consists of circular and rectangular styles with 3, 4, 6 and 8 poles, in a choice of configurations, with current ratings up to 6 Amps. The 8 pole round has become the standard connector for the disco and lighting industry and is available in cable and chassis mounting versions.

| Type | | Page |
|--------------------|------------------|------|
| PX0551 | 8 Pole connector | 144 |
| PX0552 | 8 Pole outlet | 144 |
| PX0552/PC | 8 Pole outlet | 144 |
| PX0956/S | 8 Pole connector | 145 |
| PX0957/S | 8 Pole outlet | 145 |
| PX0959/P | 8 Pole inlet | 146 |
| PX0959/P/PC | 8 Pole inlet | 146 |
| PX0429 | 2 Pole + Earth | 147 |
| PX0430/SE | 2 Pole + Earth | 147 |
| PX0646 | 2 Pole + Earth | 147 |
| PX0635 | 6 Pole | 148 |
| PX0636 | 6 Pole | 148 |
| SA2403 | 3 Pole | 149 |
| SA2404 | 3 Pole | 149 |
| SA2367 | 4 Pole | 149 |
| SA2368 | 4 Pole | 149 |
| PX0649 | 3 Pole | 150 |
| PX0650 | 3 Pole | 150 |
| Accessories | | 151 |

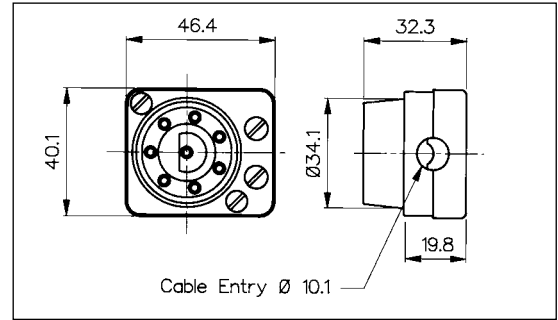
Flex Mount Plug and Panel Mount Sockets

FLEX MOUNT MALE CIRCULAR CONNECTOR



PX0551

- 8 Poles
- Mates with PX0552, PX0552/PC, PX0956/S and PX0957/S
- Screw Terminals
- 6A, 250V a.c. (per Pin)

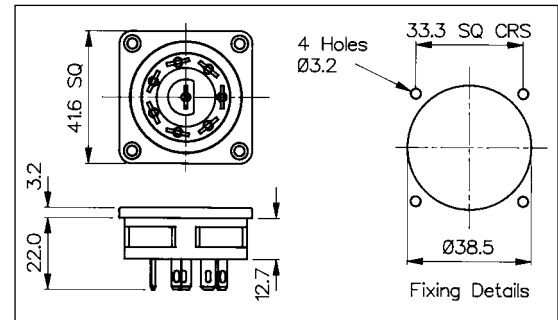


PANEL MOUNT FEMALE CIRCULAR OUTLET



PX0552

- 8 Poles
- Mates with PX0551
- 4.8mm Tabs
- 6A, 250V a.c. (per Pin)

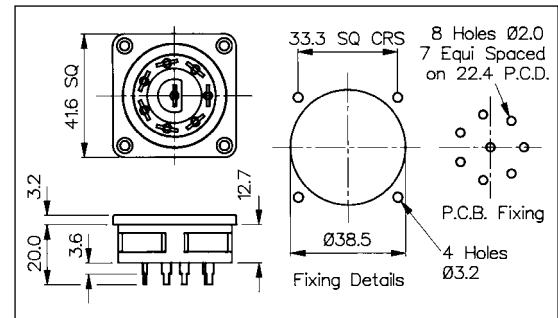


PC PANEL MOUNT FEMALE CIRCULAR OUTLET



PX0552/PC

- 8 Poles
- Mates with PX0551
- PC Spills
- 6A, 250V a.c. (per Pin)



GEN. PURPOSE

| Specification | PX0551 | PX0552 | PX0552/PC |
|------------------------|---|---|---|
| Terminations: | Screw Terminals | 4.8 Series Tab | P.C. Spills |
| Max. Rating: | 6A, 250V a.c. (per pin) | 6A, 250V a.c. (per pin) | 6A, 250V a.c. (per pin) |
| Contact Resistance: | <20mΩ | <20mΩ | <20mΩ |
| Insulation Resistance: | >10 ³ MΩ | >10 ³ MΩ | >10 ³ MΩ |
| A.C. Breakdown: | Pole-Pole 5.2kV Poles-Accessible Parts 6kV | Pole-Pole 5.2kV Poles-Exterior Parts/Panel 2kV | Pole-Pole 5.2kV Poles-Exterior Parts/Panel 6.6kV |
| Operating Temp. Range: | -20°C to +70°C | -20°C to +70°C | -20°C to +70°C |
| Mouldings: | Glass Filled Nylon (Black) | Glass Filled Nylon (Black) | Glass Filled Nylon (Black) |
| Flammability Rating: | UL94 HB | UL94 HB | UL94 HB |
| Contacts: | Brass, Nickel Plated | Brass, Tin Plated | Brass, Tin Plated |
| Mates With: | PX0552, PX0552/PC, PX0956/S, PX0957/S | PX0551, PX0959/P, PX0959/P/PC | PX0551, PX0959/P, PX0959/P/PC |
| RoHS | Compliant | Compliant | Compliant |

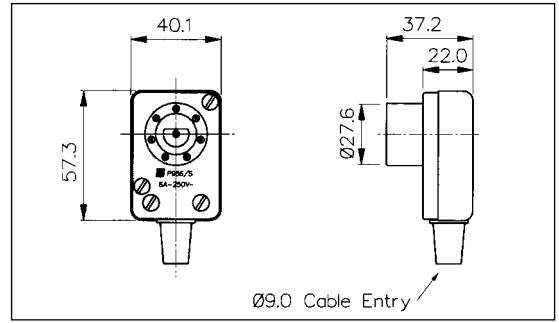
Flex Mount and Panel Mount Sockets

FLEX MOUNT FEMALE CIRCULAR CONNECTOR



PX0956/S

- 8 Poles
- Mates with PX0551, PX0959/P and PX0959/P/PC
- Screw/Solder Terminals
- 6A, 250V a.c. (per Pin)

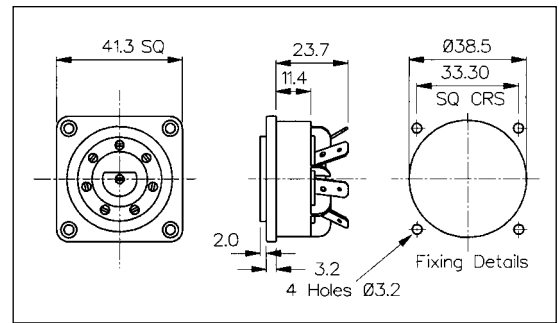


PANEL MOUNT FEMALE CIRCULAR OUTLET



PX0957/S

- 8 Poles
- Mates with PX0551, PX0959/P and PX0959/P/PC
- 4.8mm Tabs/Solder
- 6A, 250V a.c. (per Pin)



| Specification | PX0956/S | PX0957/S |
|------------------------|---|---|
| Terminations: | Screw/Solder Terminals | 4.8 Tab/Solder Tag |
| Max. Rating: | 6A, 250V a.c. | 6A, 250V a.c. |
| Contact Resistance: | <10mΩ | <10mΩ |
| Insulation Resistance: | >10 ⁸ MΩ @ 500V d.c. | >10 ⁸ MΩ @ 500V d.c. |
| A.C. Breakdown: | Pole-Pole 5.5kV Poles-Exterior Parts 5kV | Pole-Pole 5.5kV Poles-Exterior Parts/Panel 6.4kV |
| Operating Temp. Range: | -20°C to +70°C | -20°C to +70°C |
| Mouldings: | Glass Filled Nylon (black) | Glass Filled Nylon (black) |
| Flammability Rating: | UL94 HB | UL94 HB |
| Contacts: | Brass, Tin Plated | Brass, Tin Plated |
| Mates With: | PX0551, PX0959/P, PX0959/P/PC | PX0551, PX0959/P, PX0959/P/PC |
| RoHS | Compliant | Compliant |

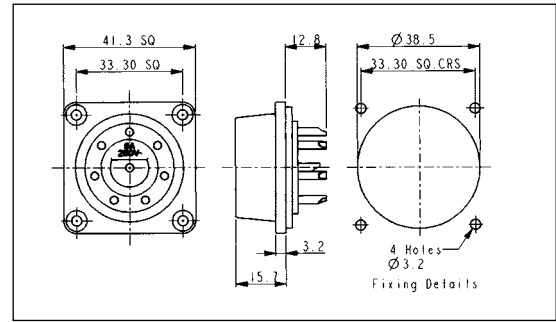
Panel Mount Plugs

PANEL MOUNT MALE CIRCULAR INLET



PX0959/P

- 8 Poles
- Mates with PX0956/S, PX0957/S, PX0552 and PX0552/PC
- Solder bucket terminals
- 6A, 250V a.c. (per Pin)

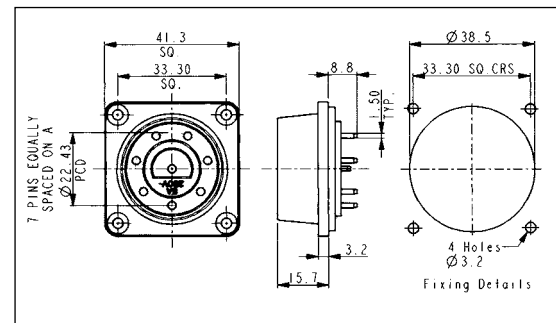


PANEL MOUNT MALE CIRCULAR INLET



PX0959/P/PC

- 8 Poles
- Mates with PX0956/S, PX0957/S, PX0552 and PX0552/PC
- P.C. Spill terminations
- 6A, 250V a.c. (per Pin)



GEN. PURPOSE

| Specification | PX0959/P | PX0959/P/PC |
|------------------------|---|---|
| Terminations: | Solder bucket | P.C. Spill |
| Max. Rating: | 6A, 250V a.c. (per pin) | 6A, 250V a.c. (per pin) |
| Contact Resistance: | <10mΩ | <10mΩ |
| Insulation Resistance: | >10 ⁴ MΩ @ 500V d.c. | >10 ⁴ MΩ @ 500V d.c. |
| A.C. Breakdown: | Pole-Pole 6kV Poles-Exterior Parts/Panel 6kV | Pole-Pole 6kV Poles-Exterior Parts/Panel 6kV |
| Operating Temp. Range: | -20°C to +70°C | -20°C to +70°C |
| Mouldings: | Glass Filled Nylon (black) | Glass Filled Nylon (black) |
| Flammability Rating: | UL94 HB | UL94 HB |
| Contacts: | Turned Brass, Tin Plated | Turned Brass, Tin Plated |
| Mates With: | PX0956/S, PX0957/S, PX0552, PX0552/PC | PX0956/S, PX0957/S, PX0552, PX0552/PC |
| RoHS | Compliant | Compliant |

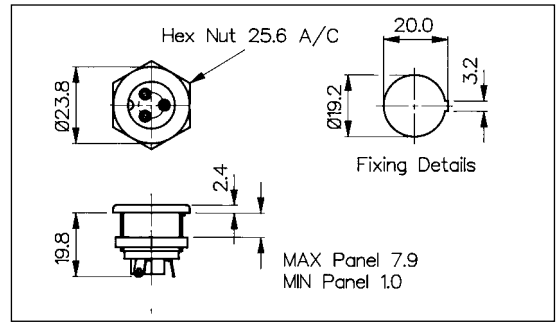
Plugs and Sockets (2 Pole + Earth)

CIRCULAR MALE INLET



PX0429

- 2 Pole + Earth
- Mates with PX0430/SE and PX0646
- Key to Ensure Correct Polarity
- Solder Tags
- 3A, 250V a.c.

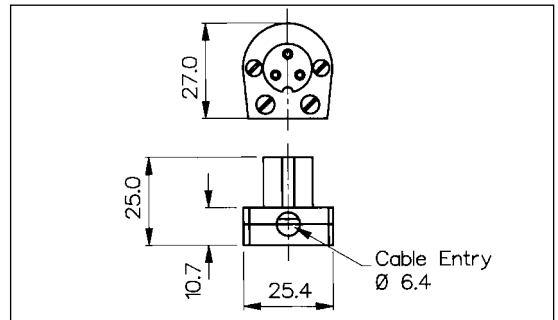


CIRCULAR FEMALE CONNECTOR



PX0430/SE

- 2 Pole + Earth
- Mates with PX0429
- Key Way to Ensure Correct Polarity
- Solder Tags
- 3A, 250V a.c.

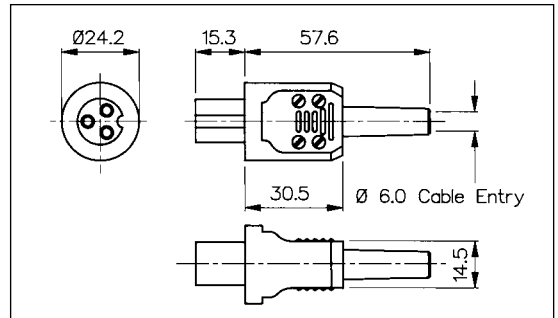


CIRCULAR FEMALE CONNECTOR



PX0646

- 2 Pole + Earth
- Mates with PX0429
- Key Way to Ensure Correct Polarity
- Solder Tags
- 3A, 250V a.c.



GEN. PURPOSE

| Specification | PX0429 | PX0430/SE | PX0646 |
|------------------------|--------------------------------------|---|---|
| Terminations: | Solder Tags | Solder Tags | Solder Tags |
| Max. Rating: | 3A, 250V a.c. | 3A, 250V a.c. | 3A, 250V a.c. |
| Contact Resistance: | <10mΩ | <10mΩ | <10mΩ |
| Insulation Resistance: | >10 ⁵ MΩ | >10 ⁵ MΩ | >10 ⁵ MΩ |
| A.C. Breakdown: | Pole-Pole 4.5kV Poles-Panel 8.5kV | Pole-Pole 4.5kV Poles-Accessible Parts 3.5kV | Pole-Pole 4.5kV Poles-Accessible Parts 3.5kV |
| Operating Temp. Range: | -20°C to +60°C | -20°C to +60°C | -20°C to +60°C |
| Mouldings: | Glass Filled Nylon | Nylon and Glass Filled Nylon | Nylon and Glass Filled Nylon |
| Contacts: | Brass, Tin Plated | Brass, Silver Plated | Brass, Silver Plated |
| Accessories: | P.No. 9455 (see page 151) | | |
| Mates With: | PX0430/SE & PX0646 | PX0429 | PX0429 |
| RoHS | Compliant | Compliant | Compliant |

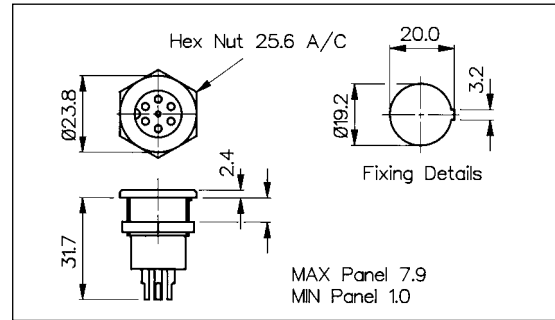
Plug and Socket (6 Pole)

CIRCULAR MALE INLET



PX0635

- 6 Pole
- Mates with PX0636
- Key to Ensure Correct Polarity
- Solder Buckets
- 3A, 50V a.c.

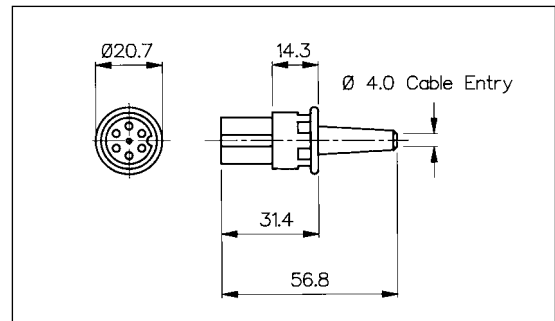


CIRCULAR FEMALE CONNECTOR



PX0636

- 6 Pole
- Mates with PX0635
- Key Way to Ensure Correct Polarity
- Solder Tags
- 3A, 50V a.c.



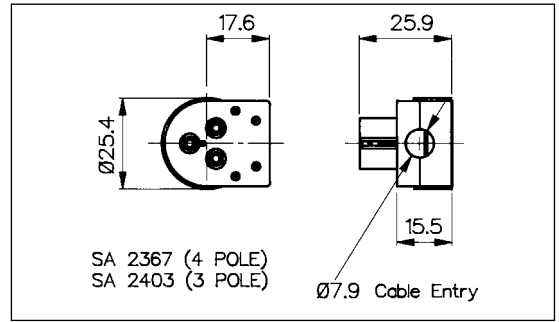
| Specification | PX0635 | PX0636 |
|------------------------|--------------------------------------|---|
| Terminations: | Solder Buckets | Solder Tags |
| Max. Rating: | 3A, 50V a.c. | 3A, 50V a.c. |
| Contact Resistance: | <10mΩ | <10mΩ |
| Insulation Resistance: | >10 ⁴ MΩ | >10 ⁴ MΩ |
| A.C. Breakdown: | Pole-Pole 2.1kV Poles-Panel 6.0kV | Pole-Pole 2.1kV Poles-Accessible Parts 1.5kV |
| Operating Temp. Range: | -20°C to +60°C | -20°C to +60°C |
| Mouldings: | Glass Filled Nylon | Glass Filled Nylon |
| Contacts: | Brass, Silver Plated | Brass, Silver Plated |
| Accessories: | P.No. 9455 (see page 151) | |
| Mates With: | PX0636 | PX0635 |
| RoHS | Compliant | Compliant |

Plugs and Sockets (3 & 4 pole)

CIRCULAR MALE CONNECTOR



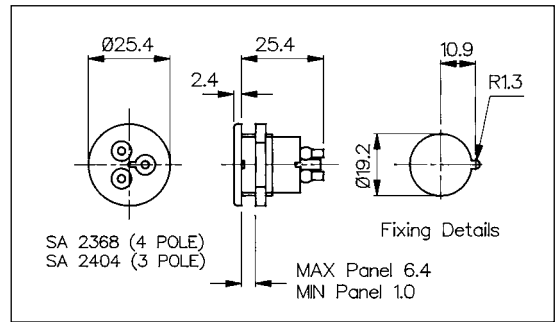
- Mates with SA2404 (3 pole) and SA2368 (4 pole)
- Key to Ensure Correct Polarity
- Screw Terminals
- 3A, 250V a.c.



CIRCULAR FEMALE OUTLET



- Mates with SA2403 (3 pole) and SA2367 (4 pole)
- Key Way to Ensure Correct Polarity
- Solder Sockets
- 3A, 250V a.c.



| Specification | SA2403 (3 Pole) SA2367 (4 Pole) | SA2404 (3 Pole) SA2368 (4 Pole) |
|------------------------|---|--------------------------------------|
| Terminations: | Screw Terminals | Solder Buckets |
| Max. Rating: | 3A, 250V a.c. | 3A, 250V a.c. |
| Contact Resistance: | <10mΩ | <10mΩ |
| Insulation Resistance: | >10 ⁴ MΩ | >10 ⁴ MΩ |
| A.C. Breakdown: | Pole-Pole 4.2kV Poles-Accessible Parts 2kV | Pole-Pole 4.2kV Poles-Panel 8.2kV |
| Operating Temp. Range: | -20°C to +70°C | -20°C to +70°C |
| Mouldings: | Glass Filled Nylon | Glass Filled Nylon |
| Contacts: | Brass, Nickel Plated | Brass, Tin Plated |
| Accessories: | | P.No. 9455 (see page 151) |
| Mates With: | 3 Pole - SA2404 4 Pole - SA2368 | 3 Pole - SA2403 4 Pole - SA2367 |
| RoHS | Compliant | Compliant |

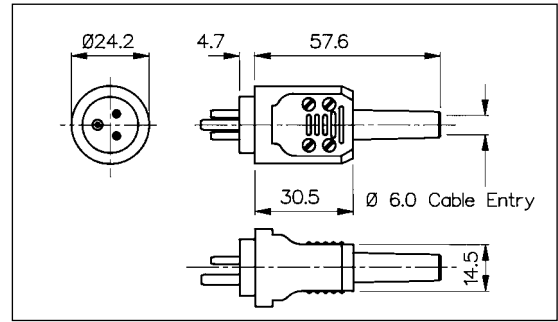
Plug and Socket (2 Pole + Earth)

CIRCULAR MALE CONNECTOR



PX0649

- 2 Pole + Earth
- Mates with PX0650
- Solder Sockets
- 3A, 250V a.c.

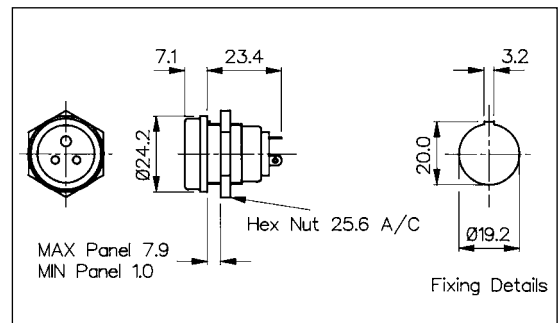


CIRCULAR FEMALE OUTLET



PX0650

- 2 Pole + Earth
- Mates with PX0649
- Solder Tags
- 3A, 250V a.c.



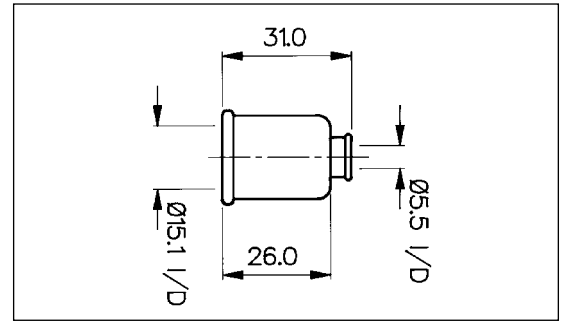
GEN. PURPOSE

| Specification | PX0649 | PX0650 |
|------------------------|--|-------------------------------------|
| Terminations: | Solder Sockets | Solder Tags |
| Max. Rating: | 3A, 250V a.c. | 3A, 250V a.c. |
| Contact Resistance: | <10mΩ | <10mΩ |
| Insulation Resistance: | >10 ⁴ MΩ | >10 ⁴ MΩ |
| A.C. Breakdown: | Pole-Pole 4.2kV Poles-Accessible Parts 10kV | Pole-Pole 4.2kV Poles-Panel 10kV |
| Operating Temp. Range: | -20°C to +60°C | -20°C to +60°C |
| Mouldings: | Nylon and Phenolic | Glass Filled Nylon |
| Contacts: | Brass, Tin Plated | Brass, Silver Plated |
| Accessories: | | P.No. 9455 (see page 151) |
| Mates With: | PX0650 | PX0649 |
| RoHS | Compliant | Compliant |

INSULATION BOOT



- Prevents Accidental Removal of Connector
- Insulating Boot
- Protects Against Accidental Electric Shock



GEN. PURPOSE

| Specification | P.No. 9455 |
|------------------------|--|
| | Insulation cover for PX0429, PX0635, PX0650, SA2368, SA2404 |
| Operating Temp. Range: | -20°C to +60°C |
| Max. Working Voltage: | 250V a.c. |
| Flash Tested: | 2kV a.c. |
| Material: | P.V.C. |
| Flammability Rating: | UL94V-0 |
| RoHS | Compliant |