

Photoelectric Sensor, Square PBT housing, L.on/D.on selectable, PNP, retro-reflection, sensing distance 1cm to 200cm, 2m 3-wire cable



PXPEEST-200P

Photoelectric Sensor

Features

- Common form factor
- Fast response time
- LED indicators
- IP65 protection

Applications

- Manufacturing
- Automotive
- Food and Beverage
- Warehouse Automation
- Robotics

Description

The L-com PXPEEST-200P is a photoelectric sensor developed to determine the proximity, absence, or presence of an item using a light transmitter. This sensor uses retro-reflection as a detection method and has a PBT and fiberglass housing. The retro-reflection sensor has a square shape, an LED indicator, and a single PNP output.

General Specifications

Sensing Type	Retro-reflection
Design Type	Square
Output Type	PNP
Sensing Distance	10 to 2,000 mm
Supply Voltage	10-30 VDC
IP Rating	IP67
Accessories	Bracket
Housing Material	PBT+Fiberglass
Ambient Brightness	<1,000 Lux
Ambient Temperature	-25 to 55 deg C
Connection Method	2M 3-wire cable
Indicator	Output indicator: Orange; Motion indicator: Green
Switch Type	L.on/D.on selectable

(For more information please consult User Manual)

Click the following link (or enter part number in "SEARCH" on website) to obtain additional part information including price, inventory and certifications:
Photoelectric Sensor, Square PBT housing, L.on/D.on selectable, PNP, retro-reflection, sensing distance 1cm to 200cm, 2m 3-wire cable PXPEEST-

Photoelectric Sensor, Square PBT housing, L.on/D.on selectable, PNP, retro-reflection, sensing distance 1cm to 200cm, 2m 3-wire cable

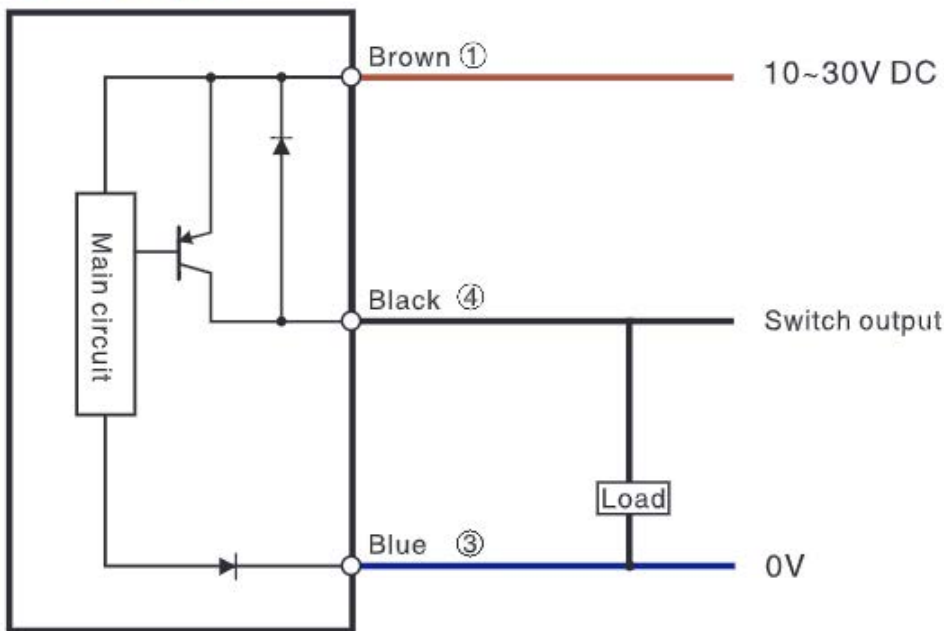


PXPEEST-200P

Photoelectric Sensor

Circuit Diagram

PNP Output



Environmental Specifications

Humidity

Operating Relative 35% to 85%

Photoelectric Sensor, Square PBT housing, L.on/D.on selectable, PNP, retro-reflection, sensing distance 1cm to 200cm, 2m 3-wire cable from L-com has same day shipment for domestic and International orders. Our portfolio includes coaxial cable assemblies, connectors, adapters and custom products as well as lightning and surge protectors, NEMA rated enclosures, and an RF product line which includes antennas, amplifiers, passive, and active components.

The information contained within this document is accurate to the best of our knowledge and representative of the part described herein. It may be necessary to make modifications to the part and/or the documentation of the part in order to impliment improvements. L-com reserves the right to make such changes as required. Unless otherwise stated, all specifications are nominal. L-com does not make any representation or warranty regarding the suitability of the part described herein for any particular purpose, and L-com does not assume liability arising out of the use of any part or document.

Photoelectric Sensor, Square PBT housing, L.on/D.on selectable, PNP, retro-reflection, sensing distance 1cm to 200cm, 2m 3-wire cable

L-com CAD Drawing

