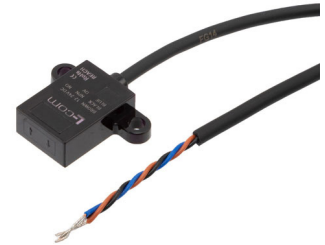


Photoelectric Sensor, Flat style PC housing, Dark on, NPN, diffuse reflection, front sensing, distance 2.5mm to 8mm, 2m 3-wire cable



PXPEMP2-410N-WD

Photoelectric Sensor

Features

- Flat design
- Fast response time
- LED status indicator
- IP50 protection
- 2m cable for pre-wired version

Applications

- Manufacturing
- Automotive
- Food and Beverage
- Warehouse Automation
- Robotics

Description

The L-com PXPEMP2-410N-WD is a photoelectric sensor developed to determine the proximity, absence, or presence of an item using a light transmitter. This sensor uses diffuse reflection as a detection method and has a PC housing. The diffuse reflection sensor has a flat design, an LED indicator, and a single NPN output.

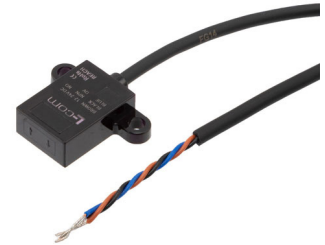
General Specifications

Sensing Type	Diffuse Reflection
Design Type	Flat
Light Source	Infrared
Output Type	NPN
Sensing Distance	2.5 to 8 mm
Supply Voltage	12-24 VDC
Return Difference	20 %
Impact Resistance	500m/s(2) 10 times in X, Y, Z
IP Rating	IP50
Housing Material	PC
Ambient Brightness	<3,500 Lux
Ambient Temperature	-10 to 55 deg C
Dielectric Strength	>50M/500VDC
Protective Circuit	Surge protection, reverse polarity protection
Connection Method	2m 3-wire cable
Withstand Voltage	AC1000V, 50/60Hz, 1 min
Residual Voltage	AC1000V, 50/60Hz, 1 min
Switch Type	Dark On
Detection Surface	Front

(For more information please consult User Manual)

Click the following link (or enter part number in "SEARCH" on website) to obtain additional part information including price, inventory and certifications:
[Photoelectric Sensor, Flat style PC housing, Dark on, NPN, diffuse reflection, front sensing, distance 2.5mm to 8mm, 2m 3-wire cable PXPEMP2-410N-](#)

Photoelectric Sensor, Flat style PC housing, Dark on, NPN, diffuse reflection, front sensing, distance 2.5mm to 8mm, 2m 3-wire cable

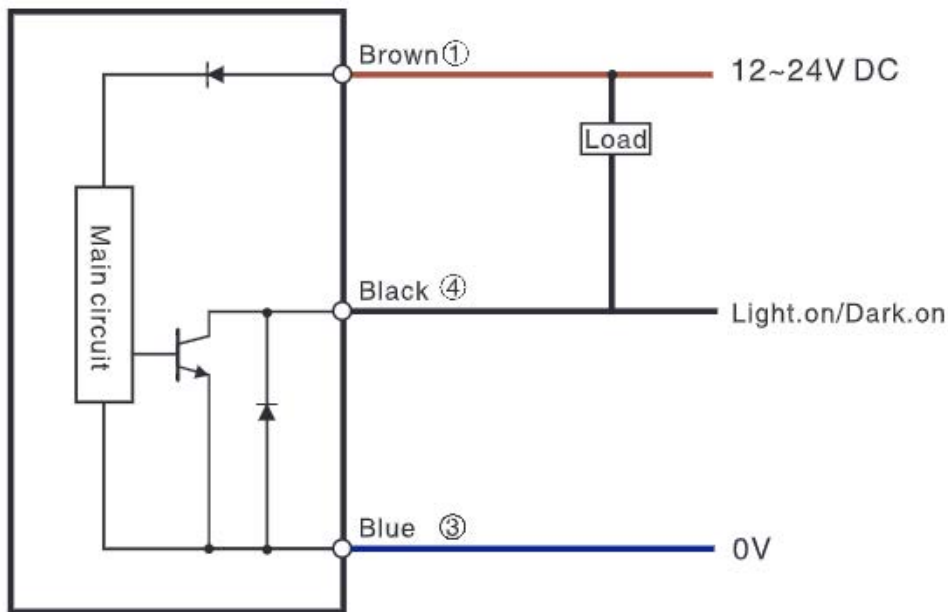


PXPEMP2-410N-WD

Photoelectric Sensor

Circuit Diagram

NPN Output



Environmental Specifications

Temperature

Operating Range	-10 to +55 deg C
Storage Range	-25 to +80 deg C

Humidity

Operating Relative	45% to 85%
Storage Relative	35% to 90%

Photoelectric Sensor, Flat style PC housing, Dark on, NPN, diffuse reflection, front sensing, distance 2.5mm to 8mm, 2m 3-wire cable from L-com has same day shipment for domestic and International orders. Our portfolio includes coaxial cable assemblies, connectors, adapters and custom products as well as lightning and surge protectors, NEMA rated enclosures, and an RF product line which includes antennas, amplifiers, passive, and active components.

The information contained within this document is accurate to the best of our knowledge and representative of the part described herein. It may be necessary to make modifications to the part and/or the documentation of the part in order to implement improvements. L-com reserves the right to make such changes as required. Unless otherwise stated, all specifications are nominal. L-com does not make any representation or warranty regarding the suitability of the part described herein for any particular purpose, and L-com does not assume liability arising out of the use of any part or document.

Photoelectric Sensor, Flat style PC housing, Dark on, NPN, diffuse reflection, front sensing, distance 2.5mm to 8mm, 2m 3-wire cable

L-com CAD Drawing

