

Photoelectric Sensor, Square PBT housing, L.on/D.on selectable, PNP NO, diffuse reflection, Sensing distance 100cm, 2m 3-wire cable



PXPEPTE-D70P

Photoelectric Sensor

Features

- Common form factor
- Fast response time
- LED indicators
- IP65 protection

Applications

- Manufacturing
- Automotive
- Food and Beverage
- Warehouse Automation
- Robotics

Description

The L-com PXPEPTE-D70P is a photoelectric sensor developed to determine the proximity, absence, or presence of an item using a light transmitter. This sensor uses diffuse reflection as a detection method and has a PBT and fiberglass housing. The diffuse reflection sensor has a square shape, an LED indicator, and a single PNP NO (Normally Open) output.

General Specifications

Sensing Type	Diffuse Reflection
Design Type	Square
Output Type	PNP
Sensing Distance	1,000 mm
Supply Voltage	10-30 VDC
IP Rating	IP65
Accessories	Screwdriver
Anti-Vibration	10 to 50Hz at 0.5mm amplitude for 2 hours
Housing Material	PBT+Fiberglass
Ambient Brightness	<10,000 Lux
Ambient Temperature	-25 to 55 deg C
Protective Circuit	Reverse polarity, output reverse polarity, surge, short circuit
Connection Method	2M 3-wire Cable
Indicator	Motion indicator: Red; Operating indicator: Green
Switch Type	Selectable L.on/D.on
Sensitivity Adjustment	Single-turn potentiometer

(For more information please consult User Manual)

Click the following link (or enter part number in "SEARCH" on website) to obtain additional part information including price, inventory and certifications:
Photoelectric Sensor, Square PBT housing, L.on/D.on selectable, PNP NO, diffuse reflection, Sensing distance 100cm, 2m 3-wire cable PXPEPTE-

Photoelectric Sensor, Square PBT housing, L.on/D.on selectable, PNP NO, diffuse reflection, Sensing distance 100cm, 2m 3-wire cable

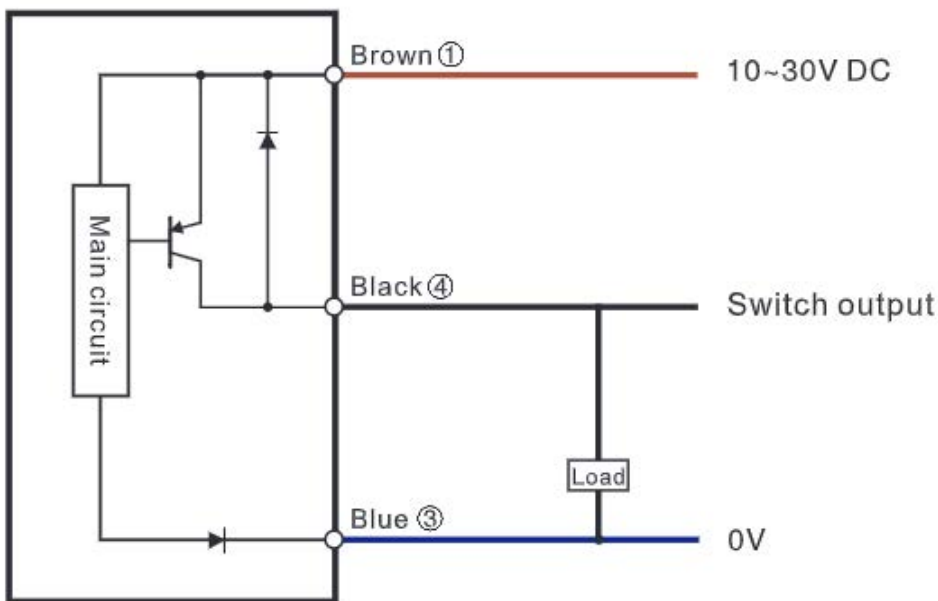


PXPEPTE-D70P

Photoelectric Sensor

Circuit Diagram

PNP Output



Environmental Specifications

Humidity

Operating Relative

35% to 85%

Photoelectric Sensor, Square PBT housing, L.on/D.on selectable, PNP NO, diffuse reflection, Sensing distance 100cm, 2m 3-wire cable from L-com has same day shipment for domestic and International orders. Our portfolio includes coaxial cable assemblies, connectors, adapters and custom products as well as lightning and surge protectors, NEMA rated enclosures, and an RF product line which includes antennas, amplifiers, passive, and active components.

The information contained within this document is accurate to the best of our knowledge and representative of the part described herein. It may be necessary to make modifications to the part and/or the documentation of the part in order to impliment improvements. L-com reserves the right to make such changes as required. Unless otherwise stated, all specifications are nominal. L-com does not make any representation or warranty regarding the suitability of the part described herein for any particular purpose, and L-com does not assume liability arising out of the use of any part or document.

Photoelectric Sensor, Square PBT housing, L.on/D.on selectable, PNP NO,
diffuse reflection, Sensing distance 100cm, 2m 3-wire cable

L-com CAD Drawing

