

Photoelectric Sensor, Square PBT housing, Dark on , PNP NO, thru-beam, Sensing distance 150cm, 2m 3-wire cable



PXPEPTJ-T150PO-I

Photoelectric Sensor

Features

- Common form factor
- Fast response time
- LED indicators
- IP65 protection

Applications

- Manufacturing
- Automotive
- Food and Beverage
- Warehouse Automation
- Robotics

Description

The L-com PXPEPTJ-T150PO-I is a photoelectric sensor developed to determine the proximity, absence, or presence of an item using a light transmitter. This sensor uses thru-beam as a detection method and has a PC/ABS housing. The thru-beam sensor has a square shape, an LED indicator, and a single PNP NO (Normally Open) output.

General Specifications

Sensing Type	Thru-Beam
Design Type	Square
Light Source	Infrared
Output Type	PNP
Sensing Distance	1,500 mm
Supply Voltage	12-24 VDC
Shock Resistance	10 to 55Hz reciprocating amplitude 1.5mm for 2 hours
Impact Resistance	500m/s(2) XYZ three times
IP Rating	IP64
Housing Material	PC/ABS
Ambient Brightness	<10,000 Lux
Ambient Temperature	-25 to 50 deg C
Protective Circuit	Reverse polarity, short circuit
Connection Method	2M 3-wire Cable
Load Current	50 mA
Withstand Voltage	>20MΩ/500V DC
Indicator	Transmitter Power: Green; Receiver Action: Yellow
Switch Type	Dark On

(For more information please consult User Manual)

Click the following link (or enter part number in "SEARCH" on website) to obtain additional part information including price, inventory and certifications:
Photoelectric Sensor, Square PBT housing, Dark on , PNP NO, thru-beam, Sensing distance 150cm, 2m 3-wire cable PXPEPTJ-T150PO-I

Photoelectric Sensor, Square PBT housing, Dark on , PNP NO, thru-beam, Sensing distance 150cm, 2m 3-wire cable

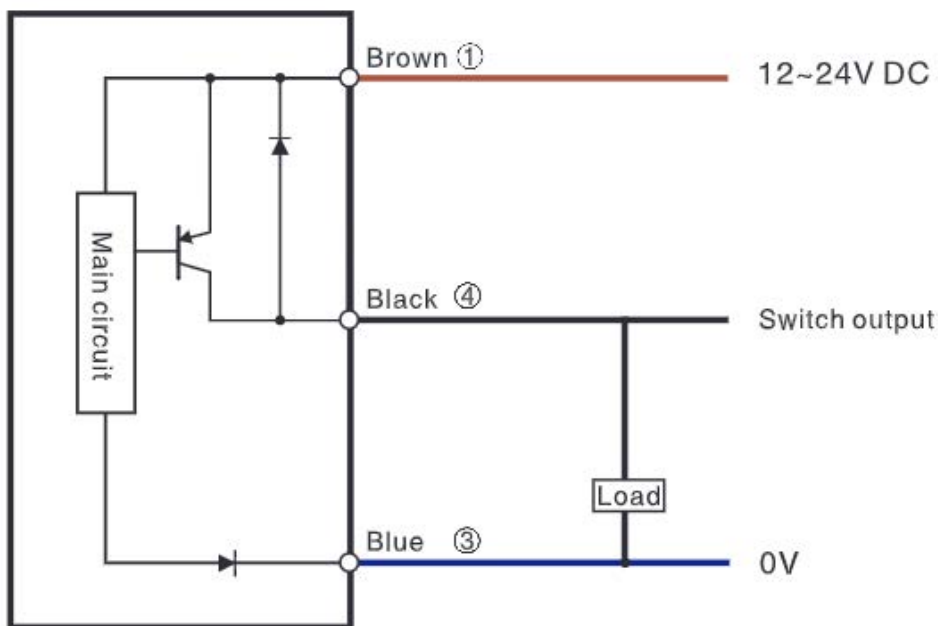


PXPEPTJ-T150PO-I

Photoelectric Sensor

Circuit Diagram

PNP Output



Environmental Specifications

Storage Range	-30 to +70 deg C
Humidity	
Operating Relative	35% to 90%
Storage Relative	35% to 90%

Photoelectric Sensor, Square PBT housing, Dark on , PNP NO, thru-beam, Sensing distance 150cm, 2m 3-wire cable from L-com has same day shipment for domestic and International orders. Our portfolio includes coaxial cable assemblies, connectors, adapters and custom products as well as lightning and surge protectors, NEMA rated enclosures, and an RF product line which includes antennas, amplifiers, passive, and active components.

The information contained within this document is accurate to the best of our knowledge and representative of the part described herein. It may be necessary to make modifications to the part and/or the documentation of the part in order to impliment improvements. L-com reserves the right to make such changes as required. Unless otherwise stated, all specifications are nominal. L-com does not make any representation or warranty regarding the suitability of the part described herein for any particular purpose, and L-com does not assume liability arising out of the use of any part or document.

Photoelectric Sensor, Square PBT housing, Dark on , PNP NO, thru-beam, Sensing distance 150cm, 2m 3-wire cable

L-com CAD Drawing

