

Infrared Label Sensor, L.on/D.on selectable, NPN,  
Sensing distance 3mm, 4-pin M8 connector



## PXSLKIM07-0304N

### Infrared Label Sensor

#### Features

- Highly accurate Infrared label detection
- Selectable light-on/dark-on operation
- Teaching function
- IP65 protection
- 4pin M8 connector

#### Applications

- Manufacturing
- Automotive
- Material Handling
- Warehouse Automation

#### Description

The L-com PXSLKIM07-0304N is a version of a slot sensor geared specifically for label detection. The sensor operates on the principle of thru-beam or opposed mode sensing where light emitted from the transmitter is directly aimed at the receiver. A good choice for sensing opaque and even transparent labels, this sensor features a 42mm slot depth and NPN output, triggered by selectable L.On/D.On switching mode.

#### General Specifications

|                    |  |
|--------------------|--|
| Sensing Type       | Thru-Beam  |
| Output Type        | NPN  |
| Sensing Distance   | 3 mm   |
| Supply Voltage     | 12-24 VDC  |
| Slot Depth         | 42 mm  |
| Slot Width         | 3 mm   |
| IP Rating          | IP65   |
| Housing Material   | PA   |
| Ambient Brightness | <10,000 Lux  |
| Protective Circuit | Reverse polarity, Short circuit and Interference suppression |
| Connection Method  | M8 4-pin connector   |

(For more information please consult User Manual)

Click the following link (or enter part number in "SEARCH" on website) to obtain additional part information including price, inventory and certifications:  
[Infrared Label Sensor, L.on/D.on selectable, NPN, Sensing distance 3mm, 4-pin M8 connector PXSLKIM07-0304N](#)

Infrared Label Sensor, L.on/D.on selectable, NPN,  
Sensing distance 3mm, 4-pin M8 connector

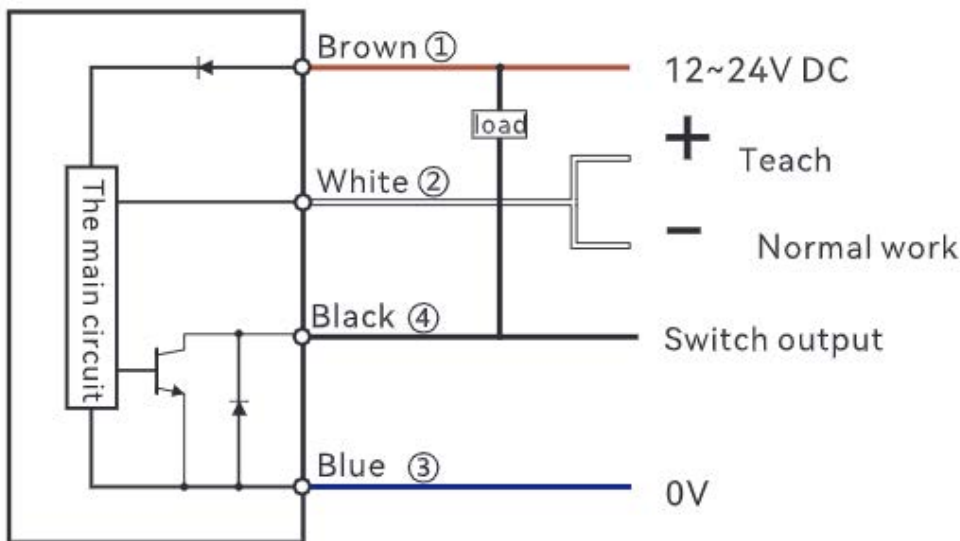


## PXSLKIM07-0304N

### Infrared Label Sensor

#### Circuit Diagram

NPN output



#### Environmental Specifications

##### Temperature

|                 |                  |
|-----------------|------------------|
| Operating Range | -20 to +60 deg C |
| Storage Range   | -30 to +80 deg C |

Infrared Label Sensor, L.on/D.on selectable, NPN, Sensing distance 3mm, 4-pin M8 connector from L-com has same day shipment for domestic and International orders. Our portfolio includes coaxial cable assemblies, connectors, adapters and custom products as well as lightning and surge protectors, NEMA rated enclosures, and an RF product line which includes antennas, amplifiers, passive, and active components.

The information contained within this document is accurate to the best of our knowledge and representative of the part described herein. It may be necessary to make modifications to the part and/or the documentation of the part in order to impliment improvements. L-com reserves the right to make such changes as required. Unless otherwise stated, all specifications are nominal. L-com does not make any representation or warranty regarding the suitability of the part described herein for any particular purpose, and L-com does not assume liability arising out of the use of any part or document.

Infrared Label Sensor, L.on/D.on selectable, NPN, Sensing distance 3mm, 4-pin M8 connector

L-com CAD Drawing

