

Micro Slot Sensor, K-shaped, L.on/D.on selectable, Light off when objects are detected, NPN NO+NC, Sensing distance 5mm, 2m 4-wire cable



PXSLSK-206NA-W

Micro Slot Sensor

Features

- Wide power supply range 5-24VDC
- highly accurate and stable
- Selectable light-on/dark-on operation
- IP50 protection
- Easy installation

Applications

- Manufacturing
- Automotive
- Material Handling
- Warehouse Automation

Description

The L-com PXSLSK-206NA-W micro slot sensor operates on the principle of thru-beam or opposed mode sensing where light emitted from the transmitter is directly aimed at the receiver. Used to detect objects which pass between two arms that make up the slot, the transmitter and receiver share the same K shape housing. Referring to the presence or lack of light at the receiving end, the switching type is L.On/D.On selectable, triggering the NPN output

General Specifications

| | |
|-------------------------|---|
| Sensing Type | Thru-Beam |
| Design Type | K Shape |
| Light Source | Infrared |
| Output Type | NPN |
| Sensing Distance | 5 mm |
| Supply Voltage | 5-24 VDC |
| Repeat Accuracy | 0.03 mm |
| Insulation Resistance | >20MΩ@250 VDC |
| IP Rating | IP50 |
| Anti-Vibration | 10 to 55 Hz at 1.5mm amplitude for 2 hours |
| Housing Material | ABS |
| Current Consumption Max | 16 mA |
| Ambient Brightness | <1,000 Lux |
| Protective Circuit | Surge protection, Reverse polarity protection |
| Connection Method | 2M 4-wire Cable |
| Voltage Drop | 1 V |
| Indicator | Load Current 50mA |
| Electrical Connection | LED off when objects are detected |
| | Flying Leads |

(For more information please consult User Manual)

Click the following link (or enter part number in "SEARCH" on website) to obtain additional part information including price, inventory and certifications: [Micro Slot Sensor, K-shaped, L.on/D.on selectable, Light off when objects are detected, NPN NO+NC, Sensing distance 5mm, 2m 4-wire cable](#)

Micro Slot Sensor, K-shaped, L.on/D.on selectable, Light off when objects are detected, NPN NO+NC, Sensing distance 5mm, 2m 4-wire cable

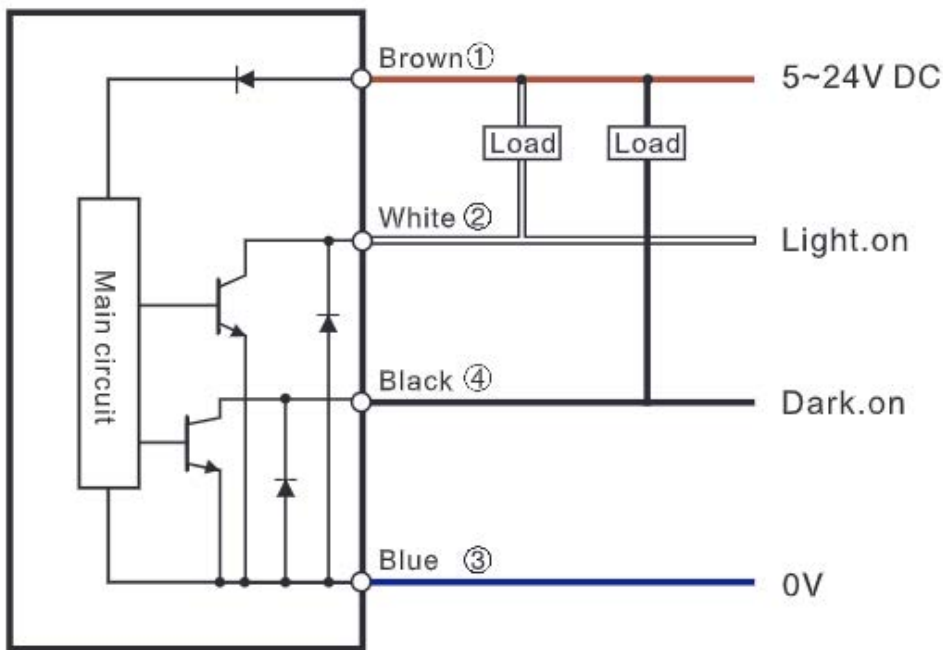


PXSLSK-206NA-W

Micro Slot Sensor

Circuit Diagram

NPN



Environmental Specifications

Temperature

| | |
|-----------------|------------------|
| Operating Range | -25 to +55 deg C |
| Storage Range | -30 to +80 deg C |

Humidity

| | |
|--------------------|-----------|
| Operating Relative | 5% to 85% |
| Storage Relative | 5% to 95% |

Micro Slot Sensor, K-shaped, L.on/D.on selectable, Light off when objects are detected, NPN NO+NC, Sensing distance 5mm, 2m 4-wire cable



PXSLSK-206NA-W

Micro Slot Sensor

Micro Slot Sensor, K-shaped, L.on/D.on selectable, Light off when objects are detected, NPN NO+NC, Sensing distance 5mm, 2m 4-wire cable from L-com has same day shipment for domestic and International orders. Our portfolio includes coaxial cable assemblies, connectors, adapters and custom products as well as lightning and surge protectors, NEMA rated enclosures, and an RF product line which includes antennas, amplifiers, passive, and active components.

The information contained within this document is accurate to the best of our knowledge and representative of the part described herein. It may be necessary to make modifications to the part and/or the documentation of the part in order to impliment improvements. L-com reserves the right to make such changes as required. Unless otherwise stated, all specifications are nominal. L-com does not make any representation or warranty regarding the suitability of the part described herein for any particular purpose, and L-com does not assume liability arising out of the use of any part or document.

Micro Slot Sensor, K-shaped, L.on/D.on selectable, Light off when objects are detected, NPN NO+NC, Sensing distance 5mm, 2m 4-wire cable

L-com CAD Drawing

