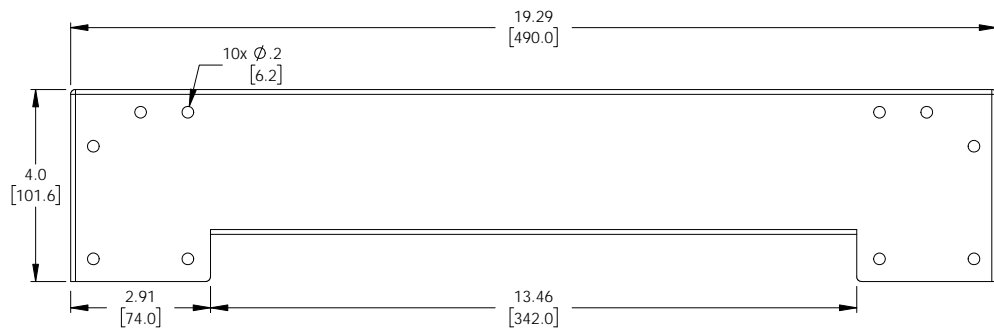
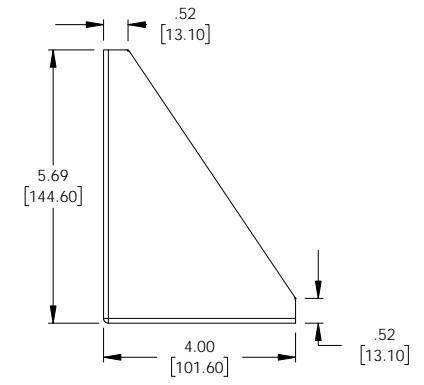
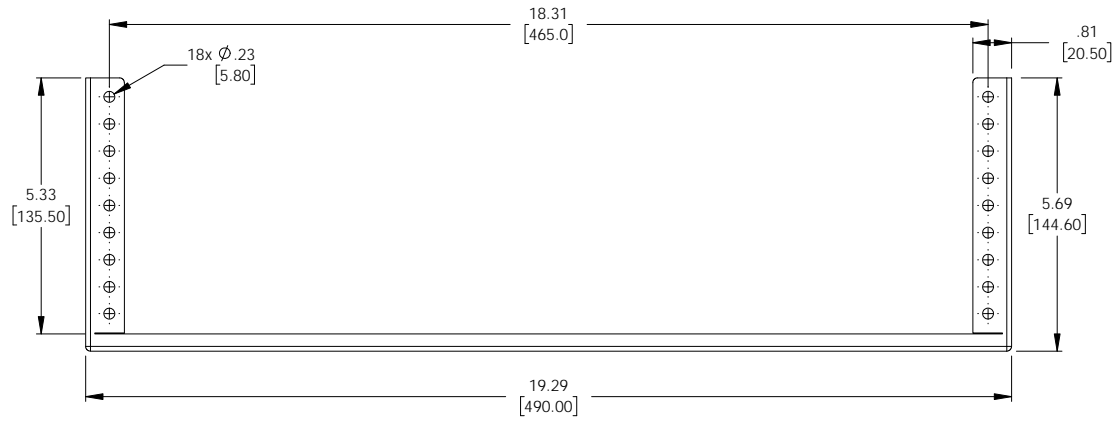


THE INFORMATION CONTAINED IN THIS DRAWING IS THE SOLE PROPERTY OF L-COM, INC. ANY REPRODUCTION IN PART OR WHOLE WITHOUT THE WRITTEN PERMISSION OF L-COM, INC. IS PROHIBITED.

REVISIONS			
REV	DESCRIPTION	DATE	APPROVED
A	REV A DRAWING RELEASED	11/26/2018	JYOU



UNLESS OTHERWISE SPECIFIED, DIMENSIONS ARE IN INCHES [mm] DIMENSIONAL TOLERANCES: .X = ±.1 [2.54] .XX = ±.01 [.25] .XXX = ±.005 [.13] ANGULAR TOLERANCES: ALL = ± 1°	APPROVALS DRAWN BY JYOU	DATE 10/31/2018		50 HIGH STREET NORTH ANDOVER, MA 01845	
	CHECKED BY BGATES	10/31/2018			CATEGORY Panel Mount Bracket
	APPROVED BY BGATES	10/31/2018	PRODUCT DESCRIPTION L-COM VERTICAL 19" WALL MOUNT RACK 3U		
	CONFIGURATION DETAILS OF UNDIMENSIONED FEATURES MAY VARY	COLOR VARIATIONS MAY OCCUR	SIZE A	FSCM NO. 43321	DWG. NO. RP00002-3

PROJECTION

SCALE: NONE | CAD FILE: RP00002-3.SLDDRW | SHEET 1 OF 1