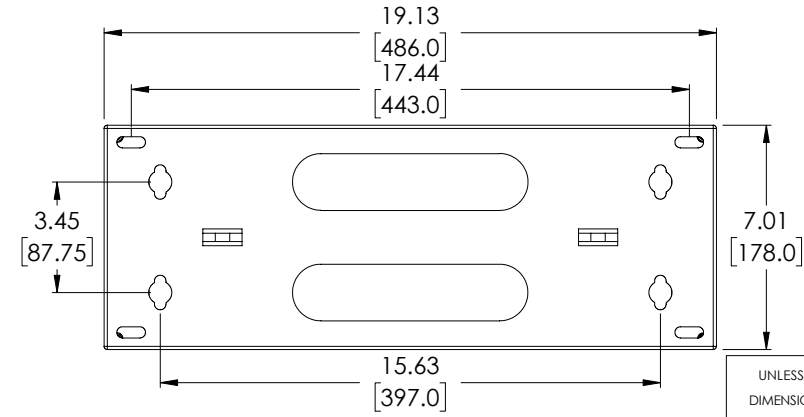
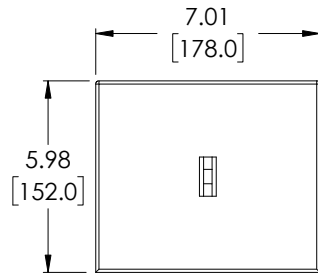
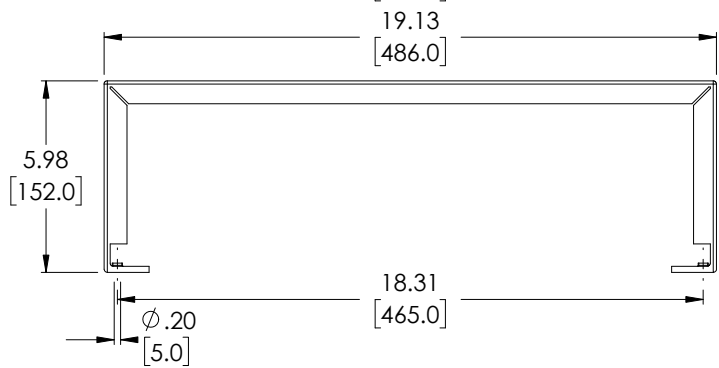
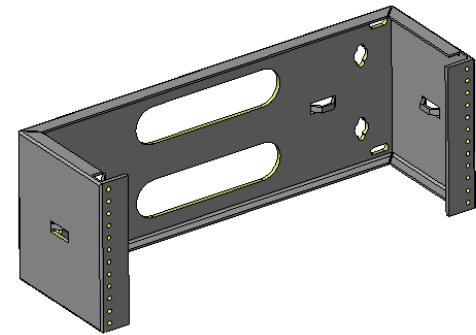
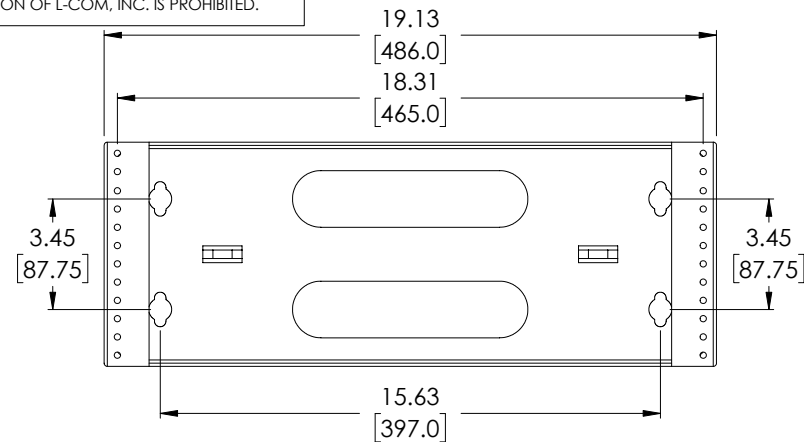


THE INFORMATION CONTAINED IN THIS DRAWING IS THE SOLE PROPERTY OF L-COM, INC. ANY REPRODUCTION IN PART OR WHOLE WITHOUT THE WRITTEN PERMISSION OF L-COM, INC. IS PROHIBITED.

REVISIONS			
REV	DESCRIPTION	DATE	APPROVED
A	REV A DRAWING RELEASED	11/26/2018	JYOU



UNLESS OTHERWISE SPECIFIED,  
DIMENSIONS ARE IN INCHES [mm]  
OVERALL CABLE LENGTH TOLERANCE:  
≤12 [305] = +1 [25] / -0  
>12 [305] ≤60 [1524] = +2 [51] / -0  
>60 [1524] ≤120 [3048] = +4 [102] / -0  
>120 [3048] ≤300 [7620] = +6 [152] / -0  
>300 [7620] = +5% / -0%

ALL OTHER DIMENSIONAL TOLERANCES:  
.X = ± .2 [5.08]  
.XX = ± .02 [51]  
.XXX = ±.005 [13]

PROJECTION

APPROVALS	DATE
DRAWN BY JYOU	11/01/2018
CHECKED BY BGATES	11/01/2018
APPROVED BY BGATES	11/01/2018

**L-com** Global Connectivity  
50 HIGH STREET  
NORTH ANDOVER, MA  
01845

CATEGORY  
**Hinged Wall Mount Bracket**

PRODUCT DESCRIPTION  
**L-COM HINGED 19" WALL MOUNT RACK  
6" DEPTH-4U**

SIZE	FSCM NO.	DWG. NO.	REV.
<b>A</b>	<b>43321</b>	<b>RP00003-4</b>	<b>A</b>

SCALE: NONE | CAD FILE: RP00003-4.SLDDRW | SHEET 1 OF 1