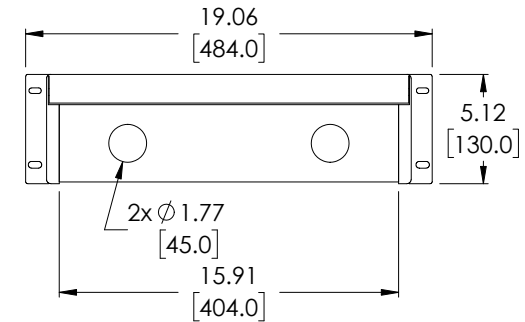
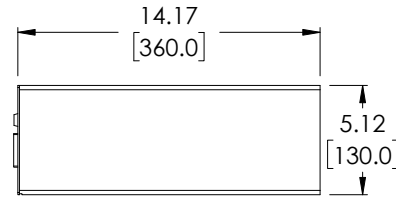
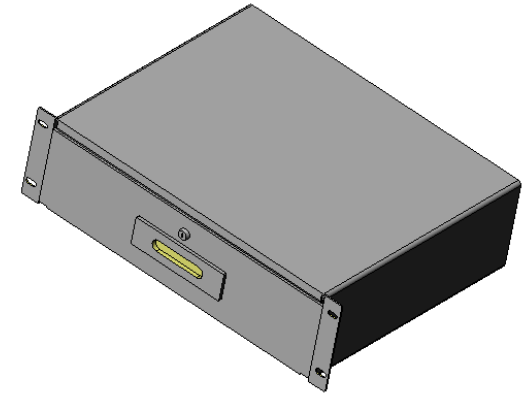
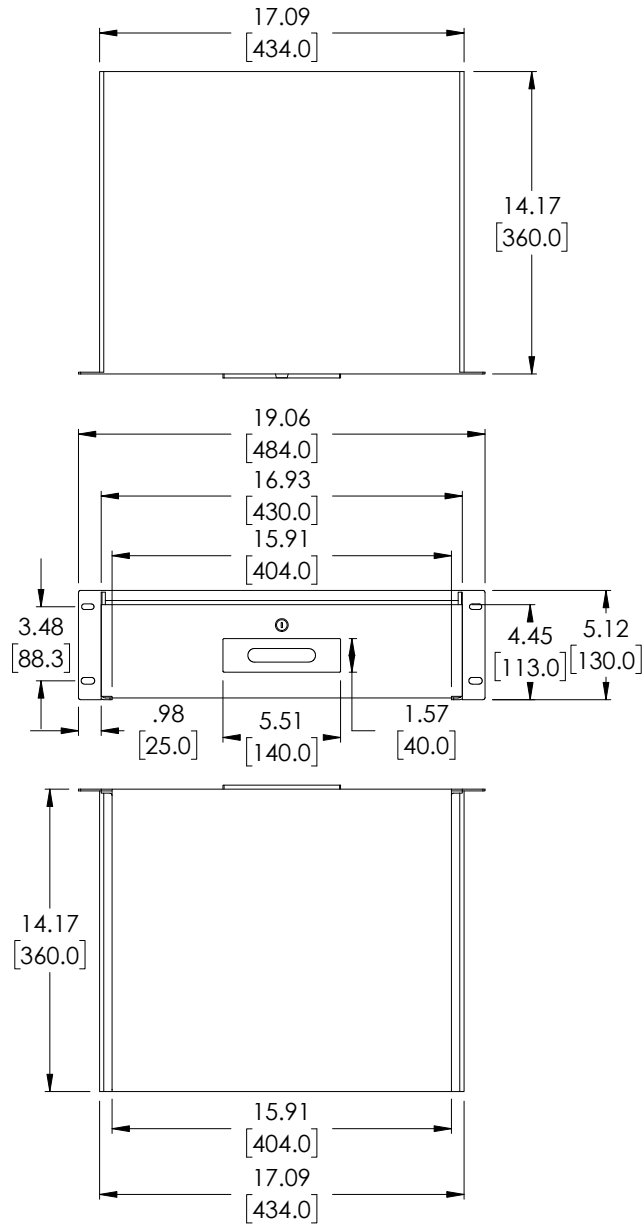


THE INFORMATION CONTAINED IN THIS DRAWING IS THE SOLE PROPERTY OF L-COM, INC. ANY REPRODUCTION IN PART OR WHOLE WITHOUT THE WRITTEN PERMISSION OF L-COM, INC. IS PROHIBITED.

REVISIONS			
REV	DESCRIPTION	DATE	APPROVED
A	REV A DRAWING RELEASED	11/26/2018	JYOU

D  
C  
B  
A



D  
C  
B  
A

<p>UNLESS OTHERWISE SPECIFIED, DIMENSIONS ARE IN INCHES [mm]</p> <p>OVERALL CABLE LENGTH TOLERANCE:          ≤12 [305] = +1 [25] / -0          &gt;12 [305] ≤60 [1524] = +2 [51] / -0          &gt;60 [1524] ≤120 [3048] = +4 [102] / -0          &gt;120 [3048] ≤300 [7620] = +6 [152] / -0          &gt;300 [7620] = +5% / -0%</p> <p>ALL OTHER DIMENSIONAL TOLERANCES:          .X = ± .2 [5.08]          .XX = ± .02 [51]          .XXX = ± .005 [1.27]</p> <p>PROJECTION  </p>	<p>APPROVALS</p> <p>DRAWN BY JYOU</p> <p>CHECKED BY BGATES</p> <p>APPROVED BY BGATES</p>	<p>DATE</p> <p>11/01/2018</p> <p>11/01/2018</p> <p>11/01/2018</p>	<p><b>L-com</b> Global Connectivity</p> <p>50 HIGH STREET NORTH ANDOVER, MA 01845</p>	
	<p>CONFIGURATION DETAILS OF UNDIMENSIONED FEATURES MAY VARY</p>			<p>CATEGORY</p> <p>Ecore DuroRacks</p>
	<p>PRODUCT DESCRIPTION</p> <p>L-COM HEAVY DUTY 19" RACK MOUNT DRAWERS 2U</p>			<p>SCALE: NONE</p> <p>CAD FILE: RP00004-2.SLDDRW</p> <p>SHEET 1 OF 1</p>
	<p>COLOR VARIATIONS MAY OCCUR</p>		<p>SIZE <b>A</b></p> <p>FSCM NO. <b>43321</b></p> <p>DWG. NO. <b>RP00004-2</b></p>	

8 7 6 5 4 3 2 1