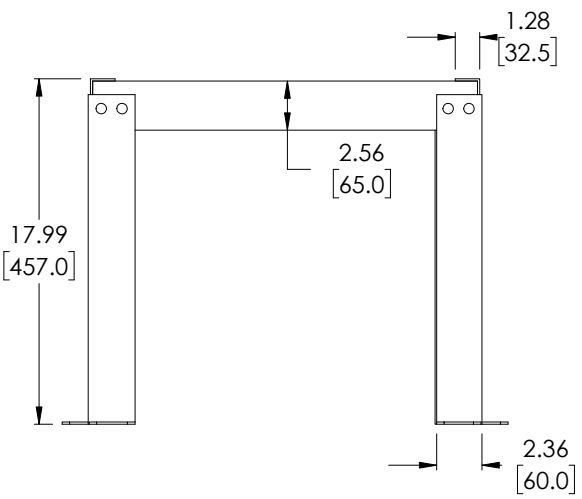
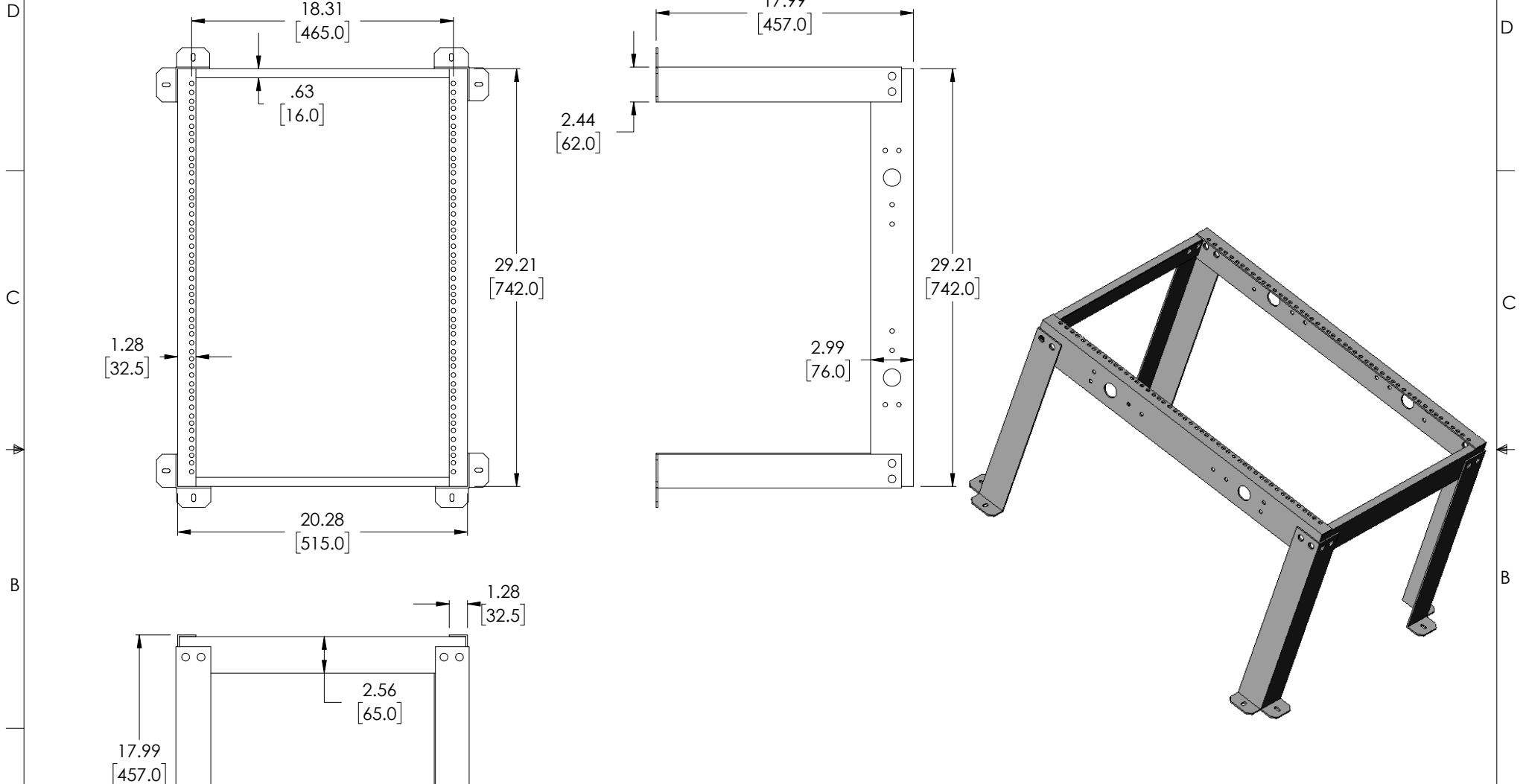


THE INFORMATION CONTAINED IN THIS DRAWING IS THE SOLE PROPERTY OF L-COM, INC. ANY REPRODUCTION IN PART OR WHOLE WITHOUT THE WRITTEN PERMISSION OF L-COM, INC. IS PROHIBITED.

REVISIONS			
REV	DESCRIPTION	DATE	APPROVED
A	REV A DRAWING RELEASED	11/27/2018	JYOU



<p>UNLESS OTHERWISE SPECIFIED, DIMENSIONS ARE IN INCHES [mm]</p> <p>OVERALL CABLE LENGTH TOLERANCE:  <math>\leq 12</math> [305] = +1 [25] / -0  <math>&gt;12</math> [305] <math>\leq 60</math> [1524] = +2 [51] / -0  <math>&gt;60</math> [1524] <math>\leq 120</math> [3048] = +4 [102] / -0  <math>&gt;120</math> [3048] <math>\leq 300</math> [7620] = +6 [152] / -0  <math>&gt;300</math> [7620] = +5% / -0%</p> <p>ALL OTHER DIMENSIONAL TOLERANCES:  .X = <math>\pm .2</math> [5.08]  .XX = <math>\pm .02</math> [51]  .XXX = <math>\pm .005</math> [1.13]</p> <p>PROJECTION  </p>	<p>APPROVALS</p> <p>DRAWN BY JYOU</p> <p>CHECKED BY BGATES</p> <p>APPROVED BY BGATES</p>	<p>DATE</p> <p>11/06/2018</p> <p>11/06/2018</p> <p>11/06/2018</p>	<p><b>L-com</b> Global Connectivity</p> <p>50 HIGH STREET NORTH ANDOVER, MA 01845</p> <p>CATEGORY <b>RACK FILLER PANELS</b></p> <p>PRODUCT DESCRIPTION <b>L-COM OPEN FRAME 19" WALL MOUNT RACK 18" DEPTH - 16U</b></p>	
	<p>CONFIGURATION DETAILS OF UNDIMENSIONED FEATURES MAY VARY</p>	<p>COLOR VARIATIONS MAY OCCUR</p>		<p>SIZE <b>A</b></p> <p>FSCM NO. <b>43321</b></p> <p>DWG. NO. <b>RP00016-16</b></p>
	<p>SCALE: NONE</p>	<p>CAD FILE: RP00016-16.SLDDRW</p>		<p>REV. <b>A</b></p>
	<p>SHEET 1 OF 1</p>			