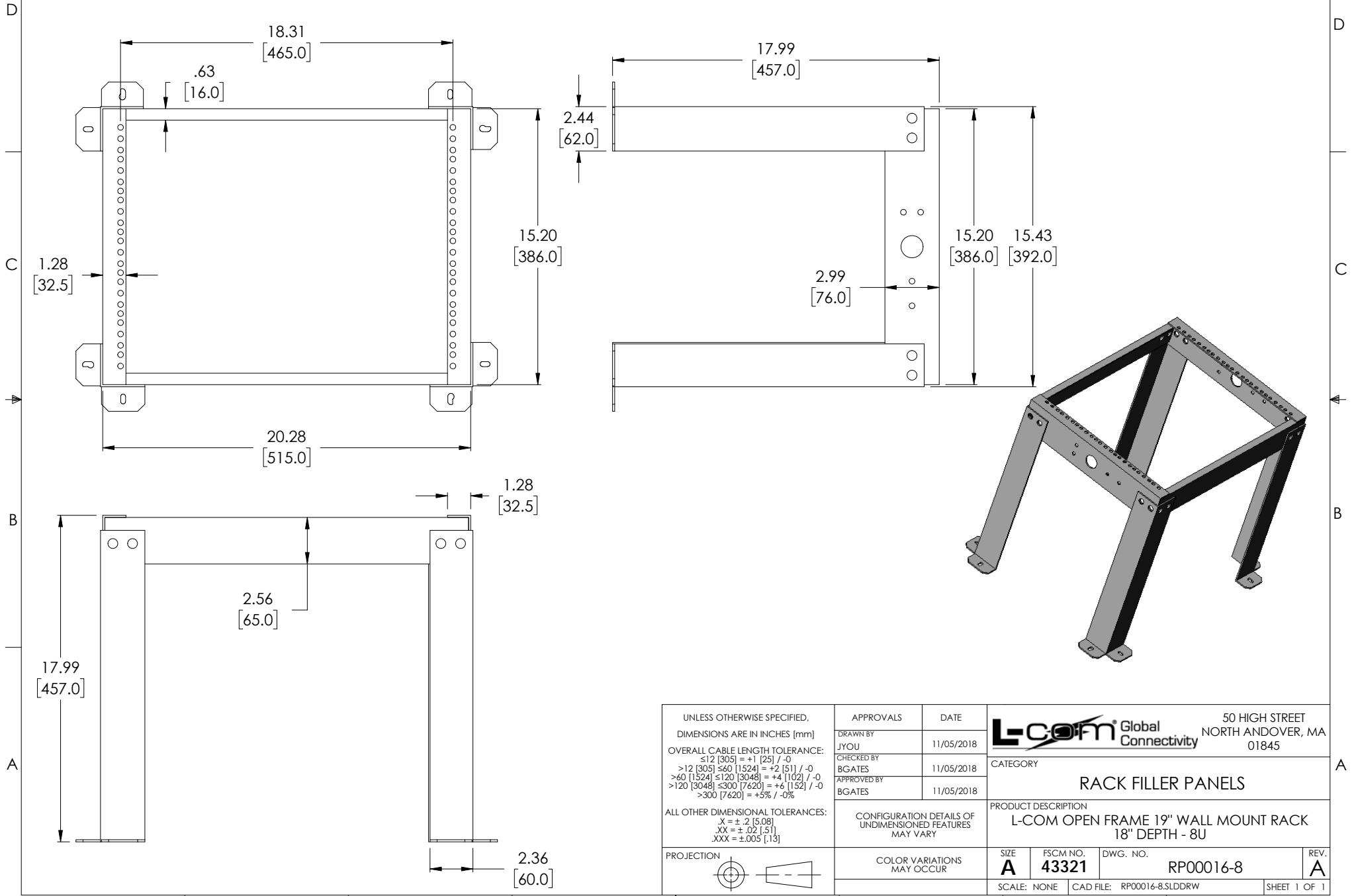


THE INFORMATION CONTAINED IN THIS DRAWING IS THE SOLE PROPERTY OF L-COM, INC. ANY REPRODUCTION IN PART OR WHOLE WITHOUT THE WRITTEN PERMISSION OF L-COM, INC. IS PROHIBITED.

REVISIONS			
REV	DESCRIPTION	DATE	APPROVED
A	REV A DRAWING RELEASED	11/27/2018	JYOU



UNLESS OTHERWISE SPECIFIED, DIMENSIONS ARE IN INCHES [mm] OVERALL CABLE LENGTH TOLERANCE: ≤12 [305] = +1 [25] / -0 >12 [305] ≤60 [1524] = +2 [51] / -0 >60 [1524] ≤120 [3048] = +4 [102] / -0 >120 [3048] ≤300 [7620] = +6 [152] / -0 >300 [7620] = +5% / -0% ALL OTHER DIMENSIONAL TOLERANCES: .X = ±.2 [5.08] .XX = ±.02 [51] .XXX = ±.005 [1.13]	APPROVALS DRAWN BY JYOU	DATE 11/05/2018	50 HIGH STREET NORTH ANDOVER, MA 01845		
	CHECKED BY BGATES	DATE 11/05/2018		CATEGORY RACK FILLER PANELS	
	APPROVED BY BGATES	DATE 11/05/2018		PRODUCT DESCRIPTION L-COM OPEN FRAME 19" WALL MOUNT RACK 18" DEPTH - 8U	
	CONFIGURATION DETAILS OF UNDIMENSIONED FEATURES MAY VARY	COLOR VARIATIONS MAY OCCUR		SIZE A	FSCM NO. 43321
PROJECTION 	SCALE: NONE		CAD FILE: RP00016-8.SLDDRW	SHEET 1 OF 1	