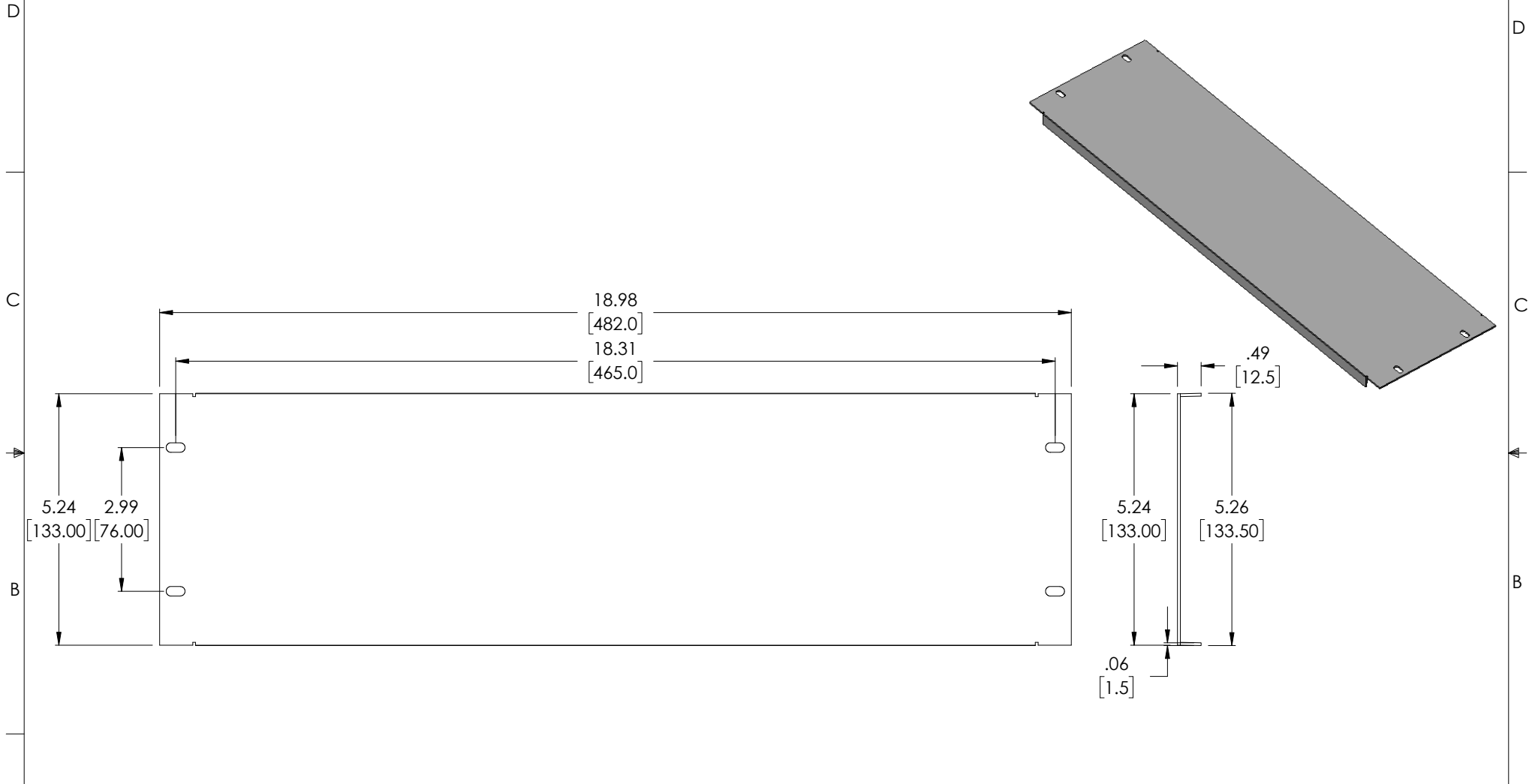


THE INFORMATION CONTAINED IN THIS DRAWING IS THE SOLE PROPERTY OF L-COM, INC. ANY REPRODUCTION IN PART OR WHOLE WITHOUT THE WRITTEN PERMISSION OF L-COM, INC. IS PROHIBITED.

REVISIONS			
REV	DESCRIPTION	DATE	APPROVED
A	REV A DRAWING RELEASED	11/27/2018	JYOU



<p>UNLESS OTHERWISE SPECIFIED, DIMENSIONS ARE IN INCHES [mm]</p> <p>OVERALL CABLE LENGTH TOLERANCE: ≤ 12 [305] = +1 [25] / -0 >12 [305] ≤ 60 [1524] = +2 [51] / -0 >60 [1524] ≤ 120 [3048] = +4 [102] / -0 >120 [3048] ≤ 300 [7620] = +6 [152] / -0 >300 [7620] = +5% / -0%</p> <p>ALL OTHER DIMENSIONAL TOLERANCES: $.X = \pm .2$ [5.08] $.XX = \pm .02$ [5.1] $.XXX = \pm .005$ [1.3]</p> <p>PROJECTION </p>	<p>APPROVALS</p> <p>DRAWN BY JYOU</p> <p>CHECKED BY BGATES</p> <p>APPROVED BY BGATES</p>	<p>DATE</p> <p>11/07/2018</p> <p>11/07/2018</p> <p>11/07/2018</p>	<p>L-com Global Connectivity</p> <p>50 HIGH STREET NORTH ANDOVER, MA 01845</p>	
	<p>CONFIGURATION DETAILS OF UNDIMENSIONED FEATURES MAY VARY</p>			<p>CATEGORY</p> <p>RACK FILLER PANELS</p>
	<p>COLOR VARIATIONS MAY OCCUR</p>		<p>SIZE A</p> <p>FSCM NO. 43321</p> <p>DWG. NO. RP00021-3</p>	<p>PRODUCT DESCRIPTION</p> <p>L-COM 19" RACKMOUNT STEEL BLANK PANEL - 3U</p>
	<p>SCALE: NONE</p>		<p>CAD FILE: RP00021-3.SLDDRW</p>	<p>SHEET 1 OF 1</p>