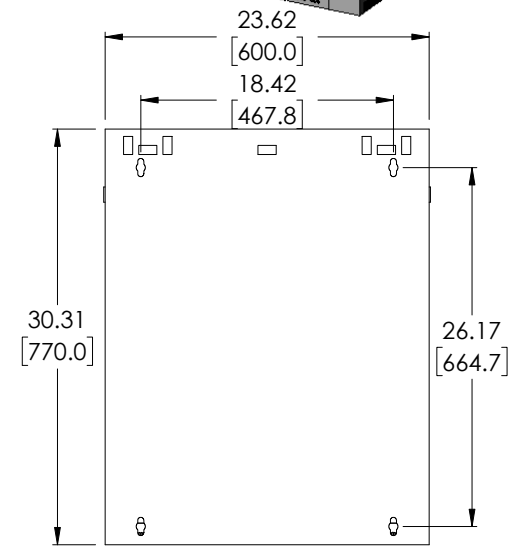
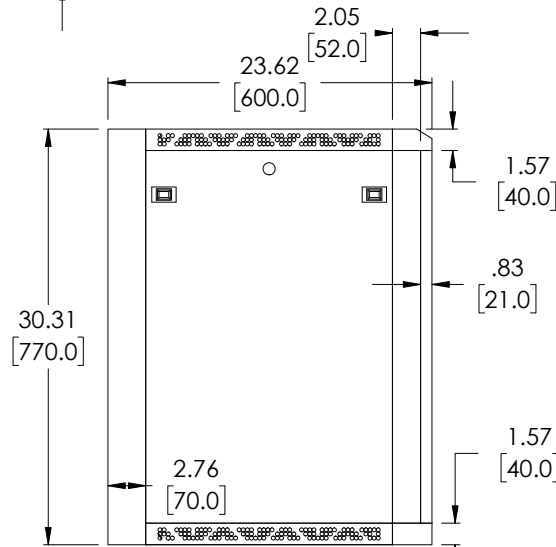
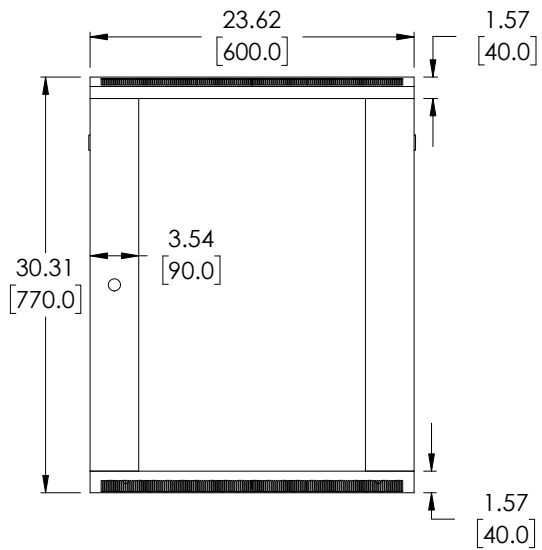
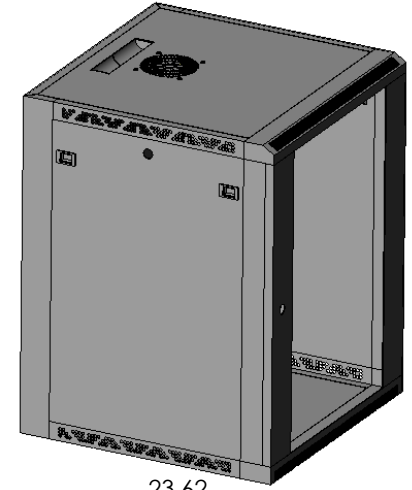
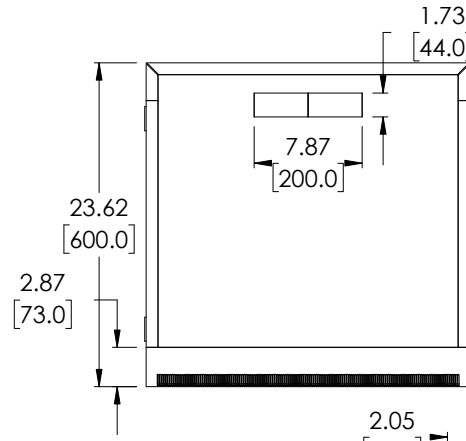
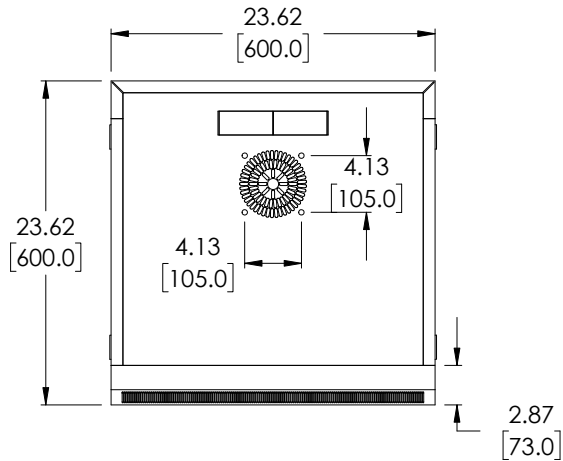


THE INFORMATION CONTAINED IN THIS DRAWING IS THE SOLE PROPERTY OF L-COM, INC. ANY REPRODUCTION IN PART OR WHOLE WITHOUT THE WRITTEN PERMISSION OF L-COM, INC. IS PROHIBITED.

REVISIONS			
REV	DESCRIPTION	DATE	APPROVED
A	REV A DRAWING RELEASED	11/27/2018	JYOU



UNLESS OTHERWISE SPECIFIED,
DIMENSIONS ARE IN INCHES [mm]
OVERALL CABLE LENGTH TOLERANCE:
≤12 [305] = +1 [25] / -0
>12 [305] ≤60 [1524] = +2 [51] / -0
>60 [1524] ≤120 [3048] = +4 [102] / -0
>120 [3048] ≤300 [7620] = +6 [152] / -0
>300 [7620] = +5% / -0%
ALL OTHER DIMENSIONAL TOLERANCES:
.X = ±.2 [5.08]
.XX = ±.02 [1.51]
.XXX = ±.005 [1.13]
PROJECTION

APPROVALS	DATE
DRAWN BY JYOU	11/08/2018
CHECKED BY BGATES	11/08/2018
APPROVED BY BGATES	11/08/2018

L-com Global Connectivity
50 HIGH STREET
NORTH ANDOVER, MA
01845

CATEGORY
RACK FILLER PANELS

PRODUCT DESCRIPTION
**L-COM FIXED WALL MOUNT 19" CABINET
23" DEPTH - 15U - FLAT BOX**

SIZE A	FSCM NO. 43321	DWG. NO. RP00025-15	REV. A
------------------	--------------------------	-------------------------------	------------------

SCALE: NONE | CAD FILE: RP00025-15.LDDRW | SHEET 1 OF 1