

Temperature and Humidity Sensor, wall mount, RS485



## SRTH100-2001-6301 Temperature and Humidity Sensor

### Features

- Simple installation
- Durable IP65 housing
- RS485/modbus RTU output
- Stable and accurate performance

### Applications

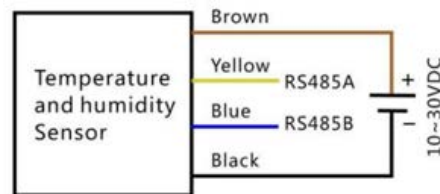
- Building automation
- Greenhouse environments
- Pharmaceutical manufacturing
- Chemical production

### Description

The SRTH100-2001 series is a wall-mount integrated temperature and humidity sensor. With RS485 (modbus protocol) output, this sensor is well suited for use in building automation and other applications where monitoring temperature and humidity are of concern. The L-com SRTH100-2001 is part of the IoT portfolio of products available from L-com, in-stock and ready to ship. Contact our knowledgeable technical support and sales staff for more information on this, and other IoT products from L-com.

### General Specifications

Application:	Temperature and Humidity Sensor
Mounting:	Wall
Electric Connector:	flying leads
Sensing Element:	On-board chip
Output Signal:	RS485
Cable Length:	1 m
Humidity:	0-100%



Description	Minimum	Typical	Maximum	Unit
Accuracy (Temperature)	T:±0.5°C (25°C) H:±3%RH (5%RH~95%RH)			
Temperature Range	-20		60	deg C

### Electrical Specifications

Description	Minimum	Typical	Maximum	Unit
Power Supply Voltage	10	24	30	VDC

### Material Specifications

Description	Material
Cable Material	PVC

Click the following link (or enter part number in "SEARCH" on website) to obtain additional part information including price, inventory and certifications:  
[Temperature and Humidity Sensor, wall mount, RS485 SRTH100-2001-6301](#)

Temperature and Humidity Sensor, wall mount, RS485



## **SRTH100-2001-6301** **Temperature and Humidity Sensor**

### **Environmental Specifications**

Temperature (Operating)	-20deg C to 60deg C
Temperature (Storage)	-40deg C to 100deg C
Ingress Protection	IP65

### **Certifications**

ROHS Compliant  
CE Compliant

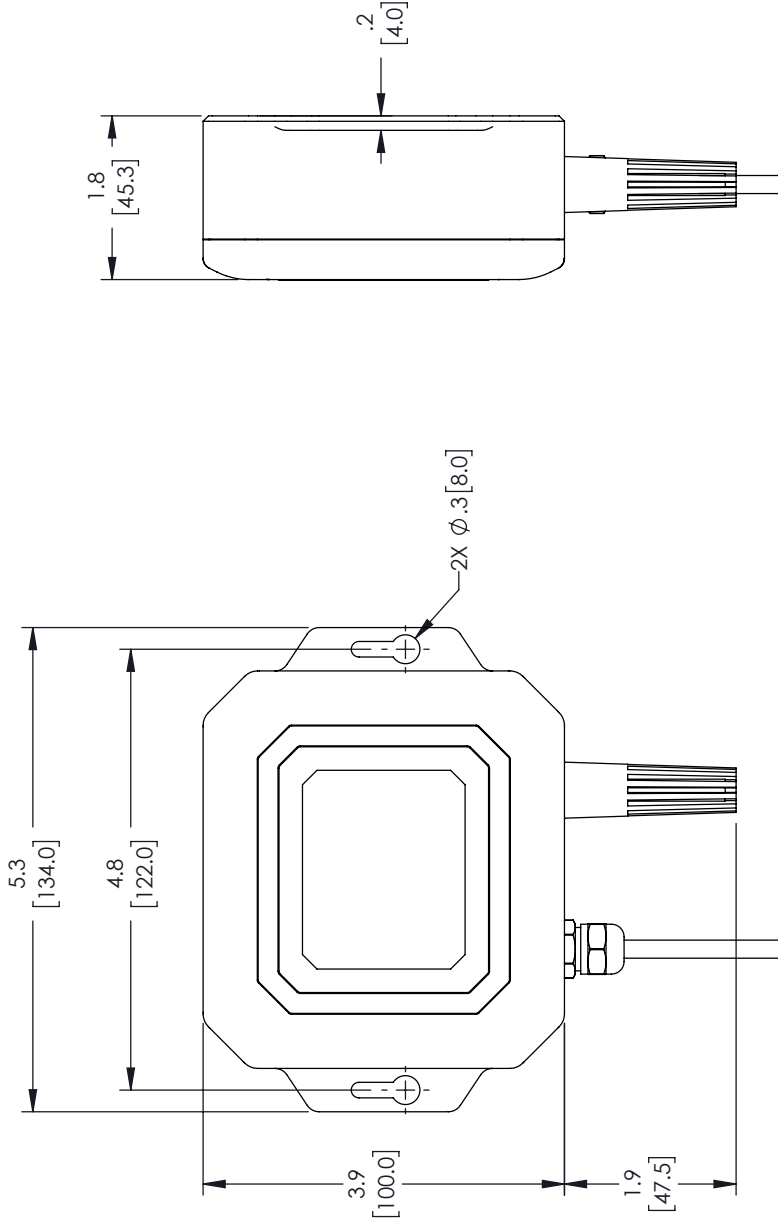
The Infinite Electronics portfolio includes coaxial cable assemblies, connectors, adapters and custom products, as well as our wireless product line which includes antennas, RF amplifiers, lightning and surge protectors, and NEMA rated enclosures.

The information contained in this document is accurate to the best of our knowledge and representative of the part described herein. It may be necessary to make modifications to the part and/or the documentation of the part, in order to implement improvements. L-com reserves the right to make such changes as required. Unless otherwise stated, all specifications are nominal. L-com does not make any representation or warranty regarding the suitability of the part described herein for any particular purpose, and L-com does not assume any liability arising out of the use of any part or documentation.

# SRTH100-2001-6301 CAD Drawing

Temperature and Humidity Sensor, wall mount, RS485

REVISIONS			
REV.	DESCRIPTION	DATE	APPROVED
A	INITIAL RELEASE	3/29/22	THOUGHTON



NOTES:  
 1. COMPONENT SHALL BE INDIVIDUALLY PACKAGED IN ACCORDANCE WITH L-COM SPECIFICATION PS-0031.

**REGULATORY COMPLIANCE:**  
 EU RoHS DIRECTIVE (MOST RECENT RELEASED VERSION)

THESE COMMODITIES, TECHNOLOGY OR SOFTWARE WERE EXPORTED FROM THE UNITED STATES IN ACCORDANCE WITH THE EXPORT ADMINISTRATION REGULATIONS. DIVERSION CONTRARY TO U.S. LAW PROHIBITED.

UNLESS OTHERWISE SPECIFIED LEADING DIMENSIONS ARE INCHES DIMENSIONS IN [ ] ARE MILLIMETERS

**TOLERANCES:**

X = ± .2 [5.08]	FRACTIONS
XX = ± .02 [ .51]	+ .132
XXX = ± .005 [ .13]	ANGLES ± 1°

**CABLE LENGTH (L) TOLERANCES:**

L ≤ 12 [305]	± .1 [25] / -0
12 [305] < L ≤ 60 [1524]	± .2 [51] / -0
60 [1524] < L ≤ 120 [3048]	± .4 [102] / -0
120 [3048] < L ≤ 300 [7620]	± .6 [152] / -0
300 [7620] < L	± .8% L / -0

ALL DIMENSIONS SHOWN ARE FOR REFERENCE ONLY.

**an INFINIT@ brand**  
 50 High Street, West Mill, 3rd Floor, Suite #30  
 North Andover, MA 01845 USA  
 Phone: 1.800.341.5266 | 1.978.682.6936  
 Fax: 1.978.689.9484  
 Website: www.L-com.com  
 E-mail: CustomerService@L-com.com

THIRD-ANGLE PROJECTION

THE INFORMATION AND DESIGN IN THIS DOCUMENT IS THE PROPERTY OF L-COM GLOBAL CONNECTIVITY. ALL RIGHTS RESERVED.

SHEET 1 OF 1

SCALE N/A

SIZE	CAGE CODE	DRAWN BY	ITEM NO.
A	43321	DMAY	SRTH100-2001-6301
REV	A		