

Temperature and Humidity Sensor, duct mount, 4-20mA



## SRTH100-2001E-6501 Temperature and Humidity Sensor

### Features

- Simple installation
- Durable IP67 housing
- 4-20mA output
- Stable and accurate performance

### Applications

- HVAC Systems
- Building automation
- Pharmaceutical manufacturing
- Chemical production
- Food processing
- Warehouse and storage facilities

### Description

The SRTH100-2001E series is a duct mount integrated temperature and humidity sensor. This device offers accurate and stable air stream measurements, and is well suited for use in HVAC systems and other applications sensitive to fluctuations in temperature and humidity. With a IP67 rated enclosure, it is also suitable for use in harsh environments. The L-com SRTH100-2001E is part of the IoT portfolio of products available from L-com, in-stock and ready to ship. Contact our knowledgeable technical support and sales staff for more information on this, and other IoT products from L-com.

### General Specifications

|                     |                                 |
|---------------------|---------------------------------|
| Application:        | Temperature and Humidity Sensor |
| Mounting:           | Duct                            |
| Electric Connector: | flying leads                    |
| Sensing Element:    | On-board chip                   |
| Output Signal:      | 4-20mA                          |
| Cable Length:       | 1 m                             |
| Humidity:           | 0-100%                          |

|               | Thread color | Leader Definition                         |
|---------------|--------------|---|
| Power supply  | Red          | Positive power supply (10-30V DC)         |
|               | Black        | Negative power supply                     |
|               | Green        | The temperature signal output is positive |
| Communication | White        | Temperature signal output negative        |
|               | Blue         | Humidity signal output is positive        |
|               | Yellow       | Humidity signal output negative           |

| Description            | Minimum                               | Typical | Maximum | Unit  |
|------------------------|---------------------------------------|---------|---------|-------|
| Accuracy (Temperature) | T:±0.5°C (25°C ) H:±3%RH (5%RH~95%RH) |         |         |       |
| Temperature Range      | -40                                   |         | 80      | deg C |

### Electrical Specifications

| Description          | Minimum | Typical | Maximum | Unit |
|----------------------|---------|---------|---------|------|
| Power Supply Voltage | 10      | 24      | 30      | VDC  |

### Material Specifications

| Description    | Material |
|----------------|----------|
| Cable Material | PVC      |

Click the following link (or enter part number in "SEARCH" on website) to obtain additional part information including price, inventory and certifications:  
Temperature and Humidity Sensor, duct mount, RS485 SRTH100-2001E-6501

Temperature and Humidity Sensor, duct mount, RS485

**SRTH100-2001E-6501**  
**Temperature and Humidity Sensor**



**Environmental Specifications**

|                         |                     |
|-------------------------|---------------------|
| Temperature (Operating) | -20deg C to 60deg C |
| Temperature (Storage)   | -40deg C to 80deg C |
| Ingress Protection      | IP67                |

**Certifications**

- ROHS Compliant
- CE Compliant

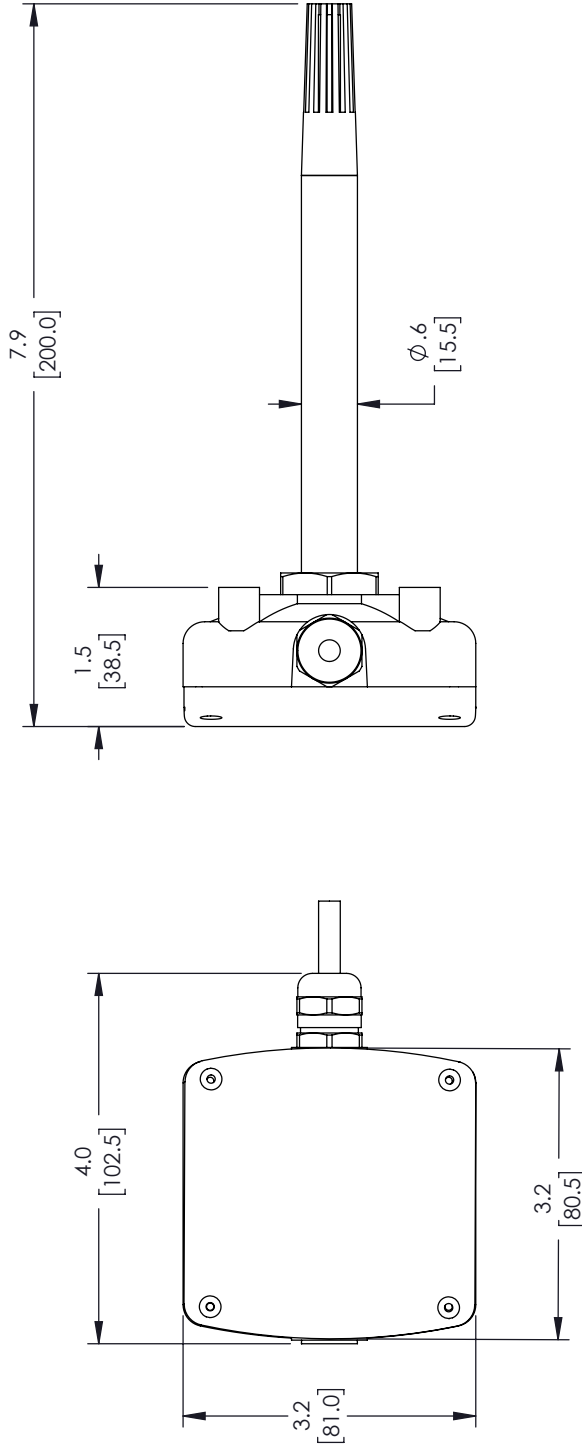
The Infinite Electronics portfolio includes coaxial cable assemblies, connectors, adapters and custom products, as well as our wireless product line which includes antennas, RF amplifiers, lightning and surge protectors, and NEMA rated enclosures.

The information contained in this document is accurate to the best of our knowledge and representative of the part described herein. It may be necessary to make modifications to the part and/or the documentation of the part, in order to implement improvements. L-com reserves the right to make such changes as required. Unless otherwise stated, all specifications are nominal. L-com does not make any representation or warranty regarding the suitability of the part described herein for any particular purpose, and L-com does not assume any liability arising out of the use of any part or documentation.

# SRTH100-2001E-6501 CAD Drawing

Temperature and Humidity Sensor, duct mount, RS485

| REVISIONS |                 |         |           |
|-----------|-----------------|---------|-----------|
| REV.      | DESCRIPTION     | DATE    | APPROVED  |
| A         | INITIAL RELEASE | 3/29/22 | THOUGHTON |



**NOTES:**  
 1. COMPONENT SHALL BE INDIVIDUALLY PACKAGED IN ACCORDANCE WITH L-COM SPECIFICATION PS-0031.

**REGULATORY COMPLIANCE:**  
 EU RoHS DIRECTIVE (MOST RECENT RELEASED VERSION)

THESE COMMODITIES, TECHNOLOGY OR SOFTWARE WERE EXPORTED FROM THE UNITED STATES IN ACCORDANCE WITH THE EXPORT ADMINISTRATION REGULATIONS. DIVERSION CONTRARY TO U.S. LAW PROHIBITED.

|   |   |   |
|---|---|---|
| <p><b>L-com™</b><br/>                 an INFINIT@ brand</p> <p>50 High Street, West Mill, 3rd Floor, Suite #30<br/>                 North Andover, MA 01845 USA<br/>                 Phone: 1.800.341.5266   1.978.682.6936<br/>                 Fax: 1.978.689.9484<br/>                 Website: www.L-com.com<br/>                 E-mail: CustomerService@L-com.com</p> | <p>THIRD-ANGLE PROJECTION</p> <p>THE INFORMATION AND DESIGN IN THIS DOCUMENT IS THE PROPERTY OF L-COM GLOBAL CONNECTIVITY. ALL RIGHTS IS RESERVED.</p> <p>SHEET 1 OF 1</p> <p>SCALE N/A</p> | <p>UNLESS OTHERWISE SPECIFIED LEADING DIMENSIONS ARE INCHES DIMENSIONS IN [ ] ARE MILLIMETERS</p> <p>TOLERANCES:</p> <p>X = ±.2 [5.08]   FRACTIONS<br/>                 XX = ±.02 [51]   +.102<br/>                 XXX = ±.005 [.13]   ANGLES ± 1°</p> <p>CABLE LENGTH (L) TOLERANCES:<br/>                 L ≤ 12 [305] = +1 [25] / -0<br/>                 12 [305] &lt; L ≤ 60 [1524] = +2 [51] / -0<br/>                 60 [1524] &lt; L ≤ 120 [3048] = +4 [102] / -0<br/>                 120 [3048] &lt; L ≤ 300 [7620] = +6 [152] / -0<br/>                 300 [7620] &lt; L = +5% / L / -0</p> <p>ALL DIMENSIONS SHOWN ARE FOR REFERENCE ONLY.</p> |
| <p>SIZE A</p>   | <p>CAGE CODE 43321</p>  | <p>DRAWN BY DMAY</p>  |
| <p>ITEM NO. SRTH100-2001E-6501</p>  |   | <p>REV A</p>  |