

Temperature sensor, Isolated, 0-150°C, 4-20mA, G1/2



SRTH600-203-2201 Temperature Sensor

Features

- Simple installation
- Isolation structure
- 316L Stainless steel housing
- Reverse polarity and overload protection
- Fast response
- High accuracy
- Long-term stability

Applications

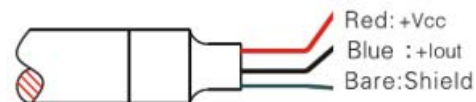
- Pipelines
- Ventilation systems
- Hydraulic and pneumatic systems
- Cooling and heating systems
- Water treatment
- HVAC systems
- Automation systems

Description

The L-com SRTH600-203 series of temperature sensors feature a sensitive platinum resistance element, encapsulated in a 316L stainless steel probe. The extended probe isolates the main body from the media and is arc welded for a high strength, vibration resistance and overall durability. High corrosion resistance means compatibility with both gas and liquids. These rugged sensors are well suited for use in factory automation, and other conditions where RFI & EMI may be of concern. The output changes linearly with temperature, and is long term stable to just 0.1% of full scale value. The L-com SRTH600 series is part of the IoT portfolio of products available from L-com, in-stock and ready to ship. Contact our knowledgeable technical support and sales staff for more information on this, and other IoT products from L-com.

General Specifications

Application:	Temperature Sensor
Mounting:	G1/2 fitting
Electric Connector:	flying leads
Process Connection Gender:	Male
Reverse Polarity Protection:	Yes
Sensing Element:	PT100
Output Signal:	4-20mA
Cable Length:	1 m



Description	Minimum	Typical	Maximum	Unit
Accuracy (Temperature)		±0.5		%
Long Term Stability		±0.1		% FS/yr
Zero Drift		0.02		%FS/C
Temperature Range	0		150	deg C
Pressure Resistance		300		bar

Click the following link (or enter part number in "SEARCH" on website) to obtain additional part information including price, inventory and certifications:
[Temperature sensor, Isolated, 0-150°C, 4-20mA, G1/2 SRTH600-203-2201](#)

Temperature sensor, Isolated, 0-150°C, 4-20mA, G1/2



**SRTH600-203-2201
Temperature Sensor**

Electrical Specifications

Description	Minimum	Typical	Maximum	Unit
Power Supply Voltage	9	24	30	VDC

Material Specifications

Description	Material
Casing	Stainless Steel 316L
Probe Material	Stainless Steel 316L
Cable Material	PVC

Environmental Specifications

Temperature (Operating)	-40deg C to 85deg C
Temperature (Storage)	-40deg C to 125deg C
Impact	100g, 11ms
Ingress Protection	IP65

Certifications

- ROHS Compliant
- CE Compliant

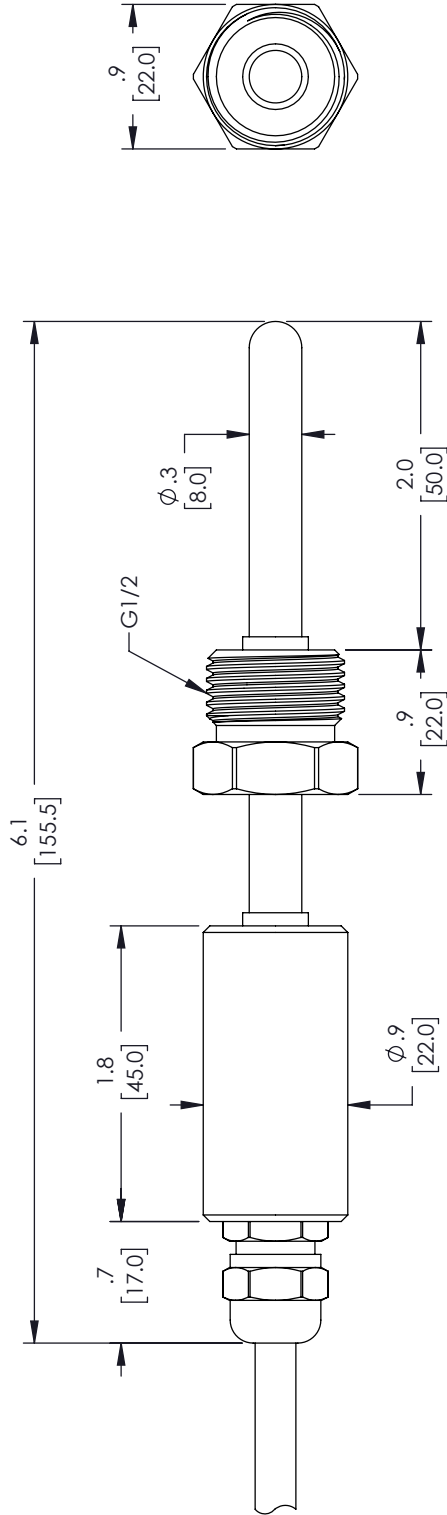
The Infinite Electronics portfolio includes coaxial cable assemblies, connectors, adapters and custom products, as well as our wireless product line which includes antennas, RF amplifiers, lightning and surge protectors, and NEMA rated enclosures.

The information contained in this document is accurate to the best of our knowledge and representative of the part described herein. It may be necessary to make modifications to the part and/or the documentation of the part, in order to implement improvements. L-com reserves the right to make such changes as required. Unless otherwise stated, all specifications are nominal. L-com does not make any representation or warranty regarding the suitability of the part described herein for any particular purpose, and L-com does not assume any liability arising out of the use of any part or documentation.

SRTH600-203-2201 CAD Drawing

Temperature sensor, Isolated, 0-150°C, 4-20mA, G1/2

REVISIONS			
REV.	DESCRIPTION	DATE	APPROVED
A	INITIAL RELEASE	3/29/22	THOUGHTON



NOTES:
 1. COMPONENT SHALL BE INDIVIDUALLY PACKAGED IN ACCORDANCE WITH L-COM SPECIFICATION PS-0031.

REGULATORY COMPLIANCE:
 EU RoHS DIRECTIVE (MOST RECENT RELEASED VERSION)

THESE COMMODITIES, TECHNOLOGY OR SOFTWARE WERE EXPORTED FROM THE UNITED STATES IN ACCORDANCE WITH THE EXPORT ADMINISTRATION REGULATIONS. DIVERSION CONTRARY TO U.S. LAW PROHIBITED.

<p>L-com™ an INFINIT@ brand 50 High Street, West Mill, 3rd Floor, Suite #30 North Andover, MA 01845 USA Phone: 1.800.341.5266 1.978.682.6936 Fax: 1.978.689.9484 Website: www.L-com.com E-mail: CustomerService@L-com.com</p>	<p>THIRD-ANGLE PROJECTION</p> <p>THE INFORMATION AND DESIGN IN THIS DOCUMENT IS THE PROPERTY OF L-COM GLOBAL CONNECTIVITY. ALL RIGHTS IS RESERVED.</p> <p>SHEET 1 OF 1</p> <p>SCALE N/A</p>	<p>UNLESS OTHERWISE SPECIFIED LEADING DIMENSIONS ARE INCHES DIMENSIONS IN [] ARE MILLIMETERS</p> <p>TOLERANCES:</p> <p>X = ±.2 [5.08] FRACTIONS XX = ±.02 [51] +.132 XXX = ±.005 [.13] ANGLES ± 1°</p> <p>CABLE LENGTH (L) TOLERANCES:</p> <p>L ≤ 12 [305] = +1 [25] / -0 12 [305] < L ≤ 60 [1524] = +2 [51] / -0 60 [1524] < L ≤ 120 [3048] = +4 [102] / -0 120 [3048] < L ≤ 300 [7620] = +8 [152] / -0 300 [7620] < L = +5% / -0</p> <p>ALL DIMENSIONS SHOWN ARE FOR REFERENCE ONLY.</p>
<p>SIZE A</p>	<p>CAGE CODE 43321</p>	<p>DRAWN BY DMAY</p>
<p>ITEM NO. SRTH600-203-2201</p>		<p>REV A</p>