

Compact Infrared Temperature Sensor, range 200°C, 4-20mA



SRTH600-405-2803 Compact Infrared Temperature Sensor

Features

- Simple installation
- Optimized lens
- 304 Stainless steel housing
- 32-bit CPU
- Fast response
- High accuracy
- Long-term stability

Applications

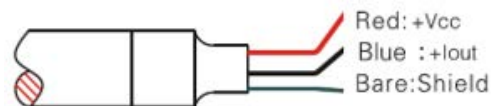
- Power equipment
- Metallurgy
- Construction industry
- Chemical production
- Automation systems
- Petrochemical industry
- Textile industry
- Food processing

Description

The SRTH600-405 series of infrared temperature sensors feature a compact design allowing for fast, continuous temperature measurement in space constrained areas. The aluminum housing, high sensitivity and fast response time of these rugged sensors make them well suited for use in automation and other industrial applications where contactless temperature sensing is needed. The L-com SRTH600-405 series is part of the IoT portfolio of products available from L-com, in-stock and ready to ship. Contact our knowledgeable technical support and sales staff for more information on this, and other IoT products from L-com.

General Specifications

Application:	Infrared Temperature Sensing
Mounting:	Bracket, fastened by M18 locking nuts
Electric Connector:	flying leads
Sensing Element:	Infrared
Emissivity:	0.95
Optical Distance Ratio	20
Output Signal:	4-20mA
Cable Length:	3 m
Humidity:	10-90%
Repeatability:	±1% or ±1°C whichever is greater



Description	Minimum	Typical	Maximum	Unit
Accuracy (Temperature)		±2		%
Temperature Range	0		200	deg C
Spectral Range	8		14	um

Click the following link (or enter part number in "SEARCH" on website) to obtain additional part information including price, inventory and certifications:
[Compact Infrared Temperature Sensor, range 200°C, 4-20mA SRTH600-405-2803](#)

Compact Infrared Temperature Sensor, range 200°C, 4-20mA



SRTH600-405-2803
Compact Infrared Temperature Sensor

Electrical Specifications

Description	Minimum	Typical	Maximum	Unit
Power Supply Voltage	12	24	30	VDC
Response			300	msec

Material Specifications

Description	Material
Casing	Aluminum alloy
Cable Material	PVC

Environmental Specifications

Temperature (Operating)	0deg C to 60deg C
Temperature (Storage)	-20deg C to 80deg C
Ingress Protection	IP65

Certifications

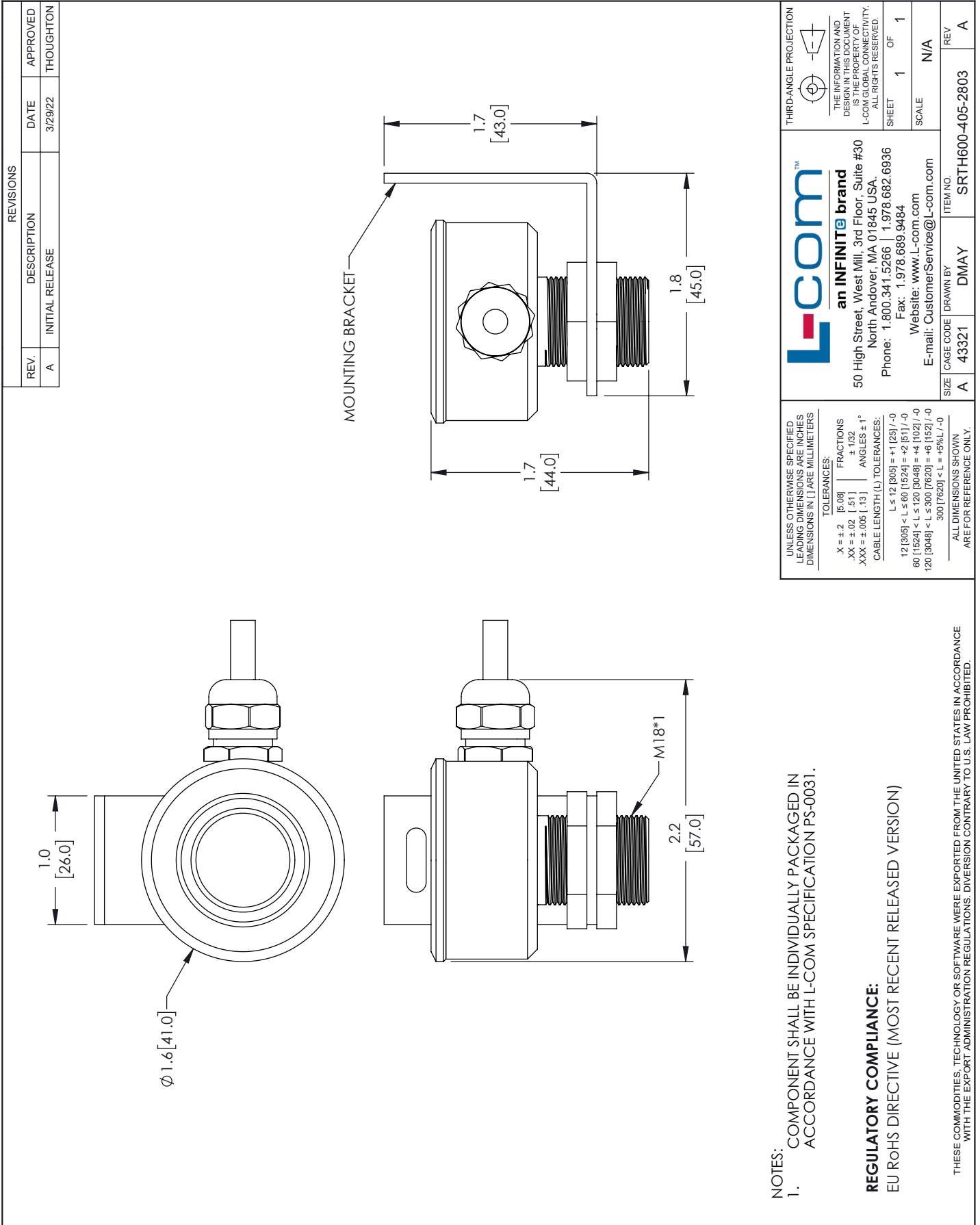
- ROHS Compliant
- CE Compliant

The Infinite Electronics portfolio includes coaxial cable assemblies, connectors, adapters and custom products, as well as our wireless product line which includes antennas, RF amplifiers, lightning and surge protectors, and NEMA rated enclosures.

The information contained in this document is accurate to the best of our knowledge and representative of the part described herein. It may be necessary to make modifications to the part and/or the documentation of the part, in order to implement improvements. L-com reserves the right to make such changes as required. Unless otherwise stated, all specifications are nominal. L-com does not make any representation or warranty regarding the suitability of the part described herein for any particular purpose, and L-com does not assume any liability arising out of the use of any part or documentation.

SRTH600-405-2803 CAD Drawing

Compact Infrared Temperature Sensor, range 200°C, 4-20mA



REVISIONS			
REV.	DESCRIPTION	DATE	APPROVED
A	INITIAL RELEASE	3/29/22	THOUGHTON

UNLESS OTHERWISE SPECIFIED LEADING DIMENSIONS ARE INCHES DIMENSIONS IN [] ARE MILLIMETERS

TOLERANCES:

X = ± .2 [5.08]	FRACTIONS
XX = ± .02 [51]	+ .132
XXX = ± .005 [13]	ANGLES ± 1°

CABLE LENGTH (L) TOLERANCES:

L ≤ 12 [305]	± .1 [25] / -0
12 [305] < L ≤ 60 [1524]	± .2 [51] / -0
60 [1524] < L ≤ 120 [3048]	± .4 [102] / -0
120 [3048] < L ≤ 300 [7620]	± .6 [152] / -0
300 [7620] < L	± .9% / -0

ALL DIMENSIONS SHOWN ARE FOR REFERENCE ONLY.

THIRD-ANGLE PROJECTION

THE INFORMATION AND DESIGN IN THIS DOCUMENT IS THE PROPERTY OF L-COM GLOBAL CONNECTIVITY. ALL RIGHTS IS RESERVED.

SHEET 1 OF 1

SCALE N/A

L-com
an INFINIT@ brand

50 High Street, West Mill, 3rd Floor, Suite #30
North Andover, MA 01845 USA
Phone: 1.800.341.5266 | 1.978.682.6936
Fax: 1.978.689.9484
Website: www.L-com.com
E-mail: CustomerService@L-com.com

SIZE	CAGE CODE	DRAWN BY	ITEM NO.
A	43321	DMAY	SRTH600-405-2803

REV A

NOTES:
1. COMPONENT SHALL BE INDIVIDUALLY PACKAGED IN ACCORDANCE WITH L-COM SPECIFICATION PS-0031.

REGULATORY COMPLIANCE:
EU RoHS DIRECTIVE (MOST RECENT RELEASED VERSION)

THESE COMMODITIES, TECHNOLOGY OR SOFTWARE WERE EXPORTED FROM THE UNITED STATES IN ACCORDANCE WITH THE EXPORT ADMINISTRATION REGULATIONS. DIVERSION CONTRARY TO U.S. LAW PROHIBITED.