

Dissolved Oxygen Sensor, 4-20mA, RS485, M39x1.5, 5m cable



SRWQ100-DO103-8901 Dissolved Oxygen Sensor

Features

- Polycarbonate housing
- M39 X 1.5 process connection
- 4-20mA & RS485 outputs
- 5m direct lead cable

Applications

- Water treatment
- Sewage treatment
- Chemical Production
- Food & Beverage Industry
- Environmental Monitoring
- Pharmaceuticals

Description

The L-com SRWQ100-DO104 series is a water quality sensor used to measure the amount of gaseous dissolved oxygen in water. A critical measure that has wide ranging impacts on aquatic life as well as machine life. It also makes drinking water taste better. However, high levels of oxygen can increase the rate of corrosion in pipes and equipment, therefore industries tend to want lower amounts present. The SRWQ100-DO103 dissolved oxygen sensor can be used in a variety of applications including water treatment, food and beverage manufacturing and general water quality monitoring. The L-com SRWQ100-DO103 series is part of the IoT portfolio of products available from L-com, in-stock and ready to ship. Contact our knowledgeable technical support and sales staff for more information on this, and other IoT products from L-com.

General Specifications

Application:	Dissolved Oxygen Sensor
Electrical Connection:	flying leads
Process Connection:	M39x1.5
Output Signal:	4-20mA
Cable Length:	5 m
Sensing Element:	Electrolyte
Interface Protocol (Communication):	RS485 (MODBUS-RTU)



Description	Minimum	Typical	Maximum	Unit
Media Flow Rate		0.02		ms
Polarization Voltage		675		mV
Accuracy (Temperature)		±0.2		deg C
Resolution (Temperature)		0.1		deg C
Accuracy Dissolved Oxygen		±0.2		% Full Scale
Resolution Dissolved Oxygen		0.01		mg/L
Dissolved Oxygen Measurement	0		20	mg/L
Temperature	0		60	deg C
Compensated Temperature	0		60	deg C
Dissolved Oxygen Measurement	0		20	mg/L

Click the following link (or enter part number in "SEARCH" on website) to obtain additional part information including price, inventory and certifications:
[Dissolved Oxygen Sensor, 4-20mA, RS485, M39x1.5, 5m cable SRWQ100-DO103-8901](#)

Dissolved Oxygen Sensor, 4-20mA, RS485, M39x1.5, 5m cable



SRWQ100-DO103-8901
Dissolved Oxygen Sensor

Electrical Specifications

Description	Minimum	Typical	Maximum	Unit
Power Supply Voltage	10	24	30	VDC

Notes: Dissolved Oxygen:4-20mA & RS485 Temp:RS485

Material Specifications

Description	Material
Cable Material	PVC
Housing Material	PC

Environmental Specifications

Temperature (Operating)	0deg C to 80deg C
Temperature (Storage)	-20deg C to 85deg C
Humidity	<90%
Ingress Protection	IP68

Certifications

CE Compliant

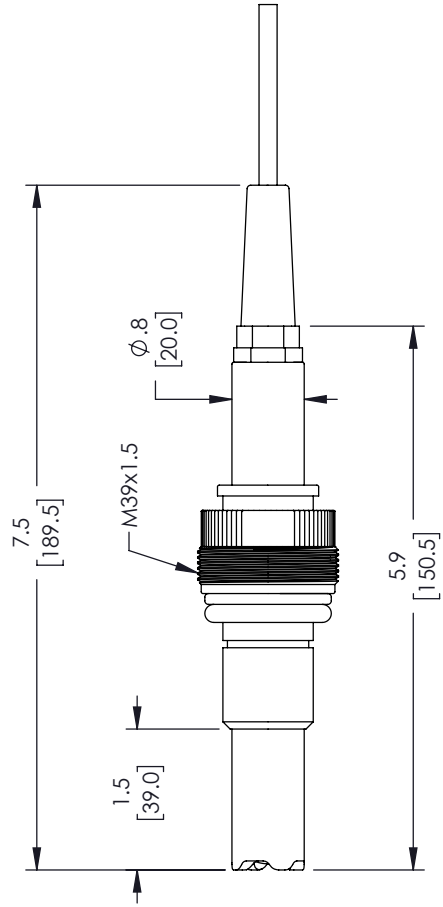
The Infinite Electronics portfolio includes coaxial cable assemblies, connectors, adapters and custom products, as well as our wireless product line which includes antennas, RF amplifiers, lightning and surge protectors, and NEMA rated enclosures.

The information contained in this document is accurate to the best of our knowledge and representative of the part described herein. It may be necessary to make modifications to the part and/or the documentation of the part, in order to implement improvements. L-com reserves the right to make such changes as required. Unless otherwise stated, all specifications are nominal. L-com does not make any representation or warranty regarding the suitability of the part described herein for any particular purpose, and L-com does not assume any liability arising out of the use of any part or documentation.

SRWQ100-DO103-8901 CAD Drawing

Dissolved Oxygen Sensor, 4-20mA, RS485, M39x1.5, 5m cable

REVISIONS		
REV.	DESCRIPTION	DATE
A	INITIAL RELEASE	3/29/22
		APPROVED THOUGHTON



NOTES:
 1. COMPONENT SHALL BE INDIVIDUALLY PACKAGED IN ACCORDANCE WITH L-COM SPECIFICATION PS-0031.

REGULATORY COMPLIANCE:
 EU RoHS DIRECTIVE (MOST RECENT RELEASED VERSION)

THESE COMMODITIES, TECHNOLOGY OR SOFTWARE WERE EXPORTED FROM THE UNITED STATES IN ACCORDANCE WITH THE EXPORT ADMINISTRATION REGULATIONS. DIVERSION CONTRARY TO U.S. LAW PROHIBITED.

<p>L-com™ an INFINIT@ brand 50 High Street, West Mill, 3rd Floor, Suite #30 North Andover, MA 01845 USA Phone: 1.800.341.5266 1.978.682.6936 Fax: 1.978.689.9484 Website: www.L-com.com E-mail: CustomerService@L-com.com</p>	<p>THIRD-ANGLE PROJECTION</p> <p>THE INFORMATION AND DESIGN IN THIS DOCUMENT IS THE PROPERTY OF L-COM GLOBAL CONNECTIVITY. ALL RIGHTS IS RESERVED.</p> <p>SHEET 1 OF 1</p> <p>SCALE N/A</p>
<p>UNLESS OTHERWISE SPECIFIED LEADING DIMENSIONS ARE INCHES DIMENSIONS IN [] ARE MILLIMETERS</p> <p>TOLERANCES:</p> <p>X = ±.2 [5.08] FRACTIONS XX = ±.02 [51] +.132 XXX = ±.005 [13] ANGLES ± 1°</p> <p>CABLE LENGTH (L) TOLERANCES:</p> <p>L ≤ 12 [305] = +1 [25] / -0 12 [305] < L ≤ 60 [1524] = +2 [51] / -0 60 [1524] < L ≤ 120 [3048] = +4 [102] / -0 120 [3048] < L ≤ 300 [7620] = +8 [152] / -0 300 [7620] < L = +8%L / -0</p> <p>ALL DIMENSIONS SHOWN ARE FOR REFERENCE ONLY.</p>	<p>ITEM NO. SRWQ100-DO103-8901</p> <p>SCALE N/A</p> <p>REV A</p>
<p>SIZE A</p> <p>CAGE CODE 43321</p> <p>DRAWN BY DMAY</p>	<p>REV A</p>