

N Male Low PIM Connector Solder Attachment for TFT-402, TFT-402-LF



**TC-402-NM-LP-LC**

**Configuration**

- N Male Connector
- 50 Ohms
- Straight Body Geometry
- TFT-402, TFT-402-LF Interface Type
- Solder/Solder Attachment
- Low PIM Design

**Features**

- Operating Frequency up to 6 GHz
- VSWR Rating of 1.3:1
- PIM levels better than -160 dBc
- Brass Contact with 200 µm Silver Plating

**Applications**

- General Purpose Test
- Wireless Communications
- Custom Cable Assemblies
- Low PIM Applications
- Distributed Antenna Systems (DAS)

**Description**

L-com's N Male Low PIM Connector Solder Attachment for TFT-402, TFT-402-LF uses a solder/solder attachment method. This N connector is one of the many RF coaxial connectors available in L-com's product line and like all our products, ships the same day of purchase. Our N Male connector operates up to a maximum frequency of 6 GHz.

The specifications and a basic dimensional drawing for TC-402-NM-LP-LC N Male can be found in this datasheet PDF. L-com's portfolio of RF and microwave connectors allows users to choose from a large number of options when building connectorized cable assemblies to fit their RF interconnect needs. RF cables can be created to fulfill many interconnect applications ranging from In the Box hookup, to connectivity with test equipment or as part of a system installation. In addition to our offering of RF connectors and coaxial cable, L-com also offers both standard and custom cable assemblies to fit your specific needs.

**Electrical Specifications**

Description	Minimum	Typical	Maximum	Units
Frequency Range	DC		6	GHz
VSWR			1.3:1	
Insertion Loss			0.24	dB
Passive Intermodulation			-160	dBc
Operating Voltage (DC)			2,500	Vdc
Insulation Resistance	10,000			MOhms

Electrical Specification Notes:  
Insertion Loss is  $0.1 \cdot \sqrt{FGHz}$

Click the following link (or enter part number in "SEARCH" on website) to obtain additional part information including price, inventory and certifications: [N Male Low PIM Connector Solder Attachment for TFT-402, TFT-402-LF TC-402-NM-LP-LC](#)

N Male Low PIM Connector Solder Attachment for TFT-402, TFT-402-LF



**TC-402-NM-LP-LC**

**Mechanical Specifications**

**Size**

Length	1.043in	[26.49mm]
Width/Dia.	0.808in	[20.52mm]
Height	0.808in	[20.52mm]
Weight	0.03lbs	[13.61g]
Mating Cycles	500Cycles	
Mating Torque	15in-lbs	[1.70Nm]

**Material Specifications**

Description	Material	Plating
Contact	Brass	Silver 200 µin
Insulation	PTFE	
Body	Brass	Tri-Metal 80 µin
Coupling Nut	Brass	Tri-Metal 80 µin
Gasket	Silicone Rubber	

**Environmental Specifications**

**Temperature**

Operating Range	-40°C to +125°C
Shock	MIL-STD 202G, Meth. 213, Cond. I
Vibration	MIL-STD 202G, Meth. 204, Cond. B
Thermal Shock	MIL-STD 202G, Meth. 107, Cond. B

Environmental Specification Notes:  
Climatic Class: IEC 60068 55/155/56

Click the following link (or enter part number in "SEARCH" on website) to obtain additional part information including price, inventory and certifications: [N Male Low PIM Connector Solder Attachment for TFT-402, TFT-402-LF TC-402-NM-LP-LC](#)

N Male Low PIM Connector Solder Attachment for TFT-402, TFT-402-LF



## TC-402-NM-LP-LC

**Compliance Certifications** (see [product page](#) for current document)

### Plotted and Other Data

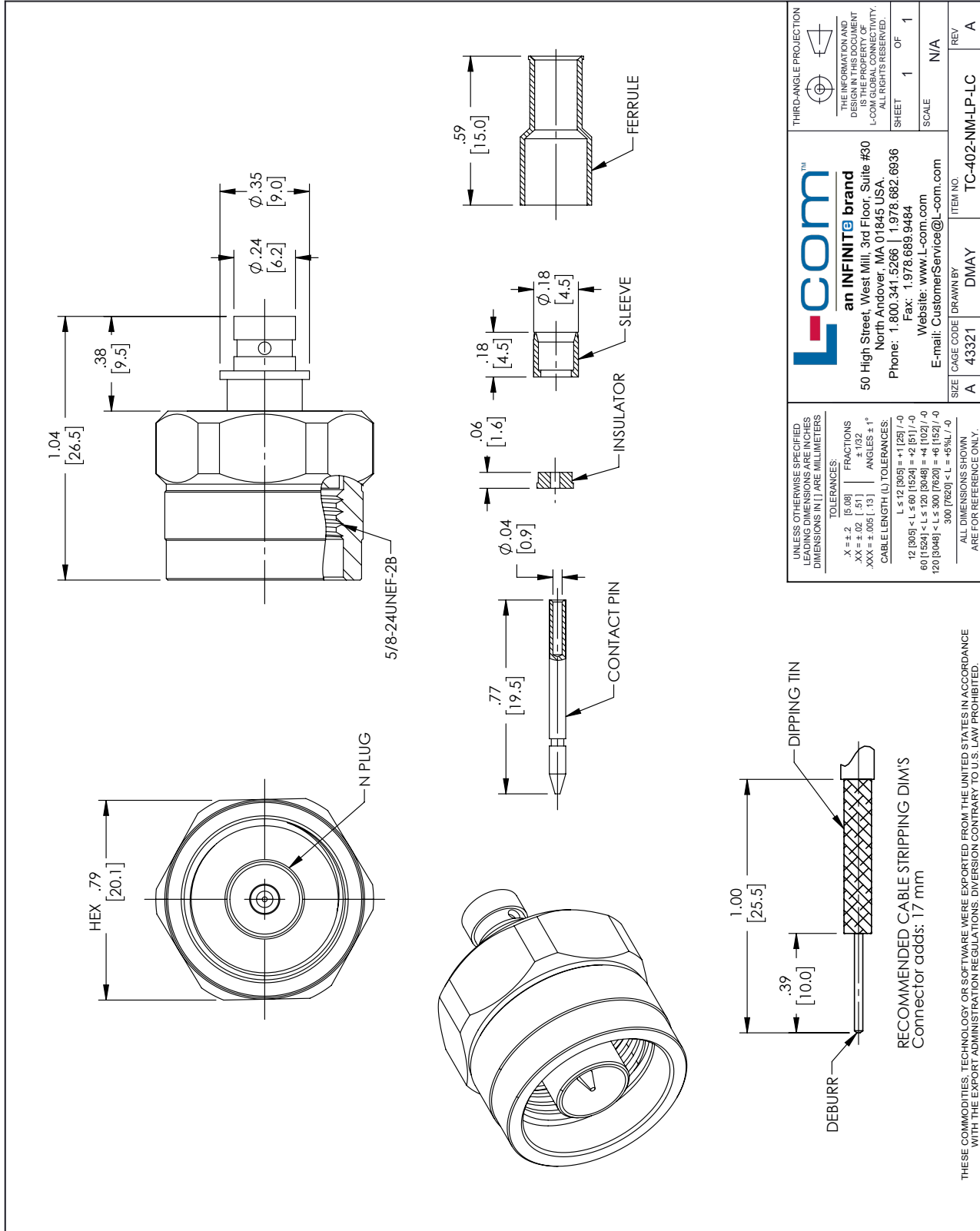
N Male Low PIM Connector Solder Attachment for TFT-402, TFT-402-LF from L-com has same day shipment for domestic and International orders. Our portfolio includes coaxial cable assemblies, connectors, adapters and custom products as well as lightning and surge protectors, NEMA rated enclosures, and an RF product line which includes antennas, amplifiers, passive, and active components. Click the following link (or enter part number in "SEARCH" on website) to obtain additional part information including price, inventory and certifications: N Male Low PIM Connector Solder Attachment for TFT-402, TFT-402-LF TC-402-NM-LP-LC

URL: <https://www.l-com.com/n-male-low-pim-connector-solder-attachment-tft-402-tft-402-lf-tc-402-nm-lp-lc-p.aspx>

The information contained within this document is accurate to the best of our knowledge and representative of the part described herein. It may be necessary to make modifications to the part and/or the documentation of the part in order to implement improvements. L-com reserves the right to make such changes as required. Unless otherwise stated, all specifications are nominal. L-com does not make any representation or warranty regarding the suitability of the part described herein for any particular purpose, and L-com does not assume liability arising out of the use of any part or document. The information contained within this document is accurate to the best of our knowledge and representative of the part described herein. It may be necessary to make modifications to the part and/or the documentation of the part in order to implement improvements. L-com reserves the right to make such changes as required. Unless otherwise stated, all specifications are nominal. L-com does not make any representation or warranty regarding the suitability of the part described herein for any particular purpose, and L-com does not assume liability arising out of the use of any part or document.

N Male Low PIM Connector Solder Attachment for TFT-402, TFT-402-LF

L-com CAD Drawing



<p>UNLESS OTHERWISE SPECIFIED LEADING DIMENSIONS ARE IN INCHES DIMENSIONS IN [ ] ARE MILLIMETERS</p> <p>TOLERANCES:</p> <p>.X = ±.2 [5.08]      FRACTIONS ± 1/32          .XX = ±.02 [0.51]      ANGLES ± 1°          .XXX = ±.005 [0.13]</p> <p>CABLE LENGTH (L) TOLERANCES:</p> <p>L ≤ 12 [305] = ±1 [25] / -0          12 [305] &lt; L ≤ 60 [1524] = ±4 [102] / -0          60 [1524] &lt; L ≤ 120 [3048] = ±6 [152] / -0          120 [3048] &lt; L ≤ 300 [7620] = ±8 [203] / -0          300 [7620] &lt; L = +5%L / -0</p> <p>ALL DIMENSIONS SHOWN ARE FOR REFERENCE ONLY.</p>	<p><b>L-com™</b>  <b>an INFINITE brand</b>          50 High Street, West Mill, 3rd Floor, Suite #30          North Andover, MA 01845, USA.          Phone: 1.800.341.5266   1.978.682.6936          Fax: 1.978.689.9484          Website: www.L-com.com          E-mail: CustomerService@L-com.com</p>	<p>THIRD-ANGLE PROJECTION</p> <p>THE INFORMATION AND DIMENSIONS ON THIS DRAWING ARE THE PROPERTY OF L-COM GLOBAL CONNECTIVITY. ALL RIGHTS RESERVED.</p> <p>SHEET 1 OF 1</p> <p>SCALE N/A</p>
<p>SIZE A      CAGE CODE DMAY      DRAWN BY</p>	<p>ITEM NO. TC-402-NM-LP-LC</p>	<p>REV A</p>

THESE COMMODITIES, TECHNOLOGY OR SOFTWARE WERE EXPORTED FROM THE UNITED STATES IN ACCORDANCE WITH THE EXPORT ADMINISTRATION REGULATIONS, DIVISION CONTRARY TO U.S. LAW PROHIBITED.

RECOMMENDED CABLE STRIPPING DIM'S  
 Connector adds: 17 mm

T-Rev D