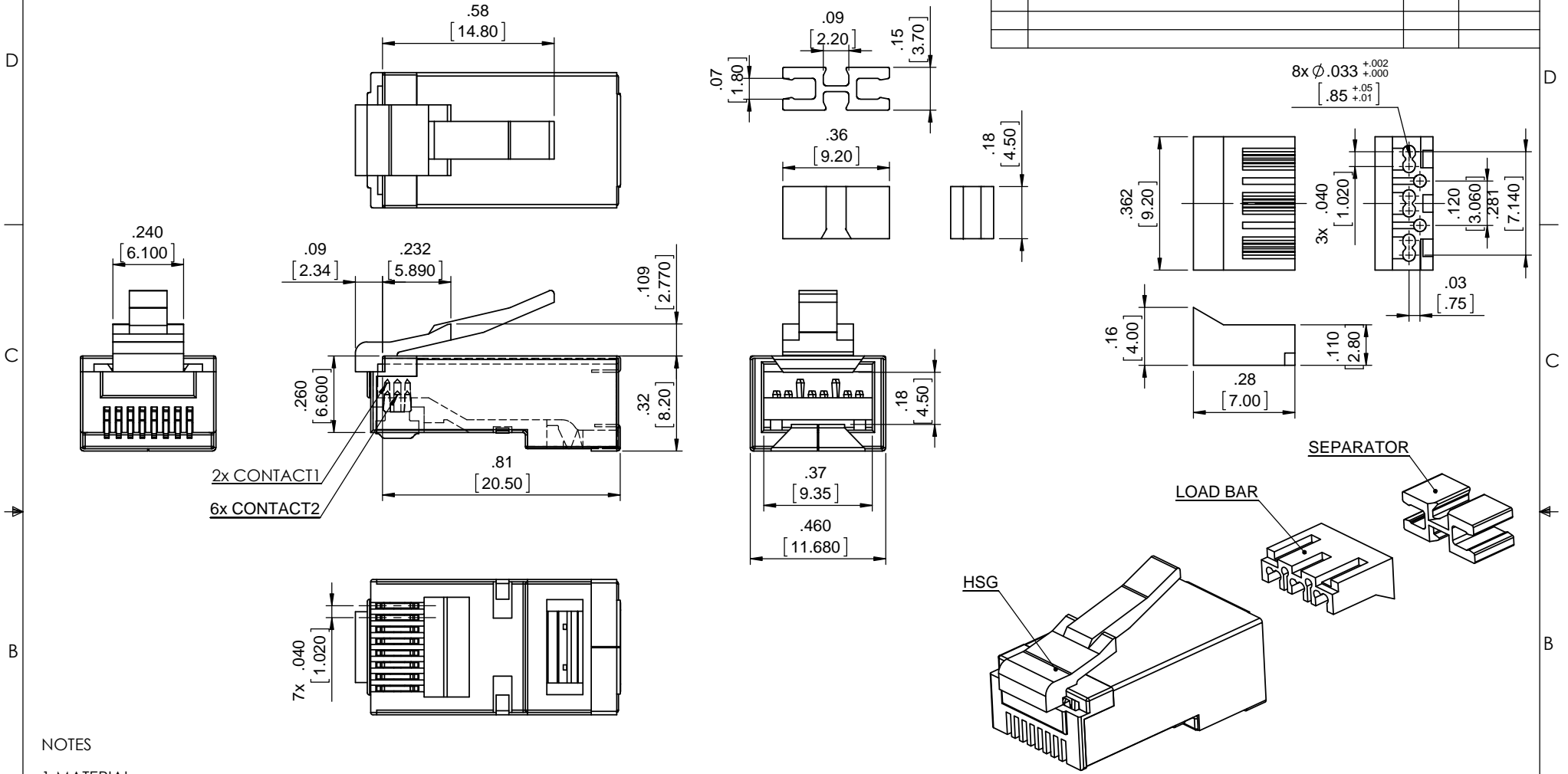


THE INFORMATION CONTAINED IN THIS DRAWING IS THE SOLE PROPERTY OF L-COM, INC. ANY REPRODUCTION IN PART OR WHOLE WITHOUT THE WRITTEN PERMISSION OF L-COM, INC. IS PROHIBITED.

REVISIONS			
REV	DESCRIPTION	DATE	APPROVED
A	INITIAL RELEASE	1/26/16	D.GRIFFIN



NOTES

- MATERIAL**
CONTACT: BRASS; 50u" GOLD OVER NICKEL PLATED
HSG, LOAD BAR & SEPARATOR: PC, UL94 V-0; COLOR: TRANSPARENT
SHIELDED SHELL: BRASS; NICKEL PLATED
- RATING**
VOLTAGE: 110V AC; CURRENT: 1A
OPERATING TEMPERATURE RANGE: -25°C ~ +85°C
- ELECTRICAL**
CONTACT RESISTANCE: 20mohms
DIELECTRICAL WITHSTANDING VOLTAGE: 1000V DC/MIN
INSULATION RESISTANCE: 500Mohms Min. @ 1000V DC
- MECHANICAL**
CABLE TO PLUG TENSILE STRENGTH: 9kg Min.
- PLUG MEETS REQUIREMENTS OF TIA-1096
- PLUG SHALL BE BULK PACKAGED 50 PIECES PER BAG IN ACCORDANCE WITH L-COM SPECIFICATION PS-0031.

REGULATORY COMPLIANCE:
CE2011/65/EU (RoHS DIRECTIVE)

UNLESS OTHERWISE SPECIFIED, DIMENSIONS ARE IN INCHES [mm] OVERALL CABLE LENGTH TOLERANCE: ≤12 [305] = +1 [25] / -0 >12 [305] ≤60 [1524] = +2 [51] / -0 >60 [1524] ≤120 [3048] = +4 [102] / -0 >120 [3048] ≤300 [7620] = +6 [152] / -0 >300 [7620] = +5% / -0% ALL OTHER DIMENSIONAL TOLERANCES: .X = ±.2 [5.08] .XX = ±.02 [51] .XXX = ±.005 [13]	APPROVALS DRAWN BY B.ZHANG CHECKED BY D.GRIFFIN APPROVED BY S.PAN	DATE 01/26/2016 01/26/2016 01/26/2016	 45 BEECHWOOD DRIVE NORTH ANDOVER, MA 01845	
	CONFIGURATION DETAILS OF UNDIMENSIONED FEATURES MAY VARY			CATEGORY TELECOM/MODULAR
	PROJECTION 	COLOR VARIATIONS MAY OCCUR		PRODUCT DESCRIPTION RJ45 8P8C C6A SHIELD PLUG 28AWG 50PK
	SCALE: NONE	SIZE A	FSCM NO. 43321	DWG. NO. TSP8028C6A