



## OUTDOOR INSTALLATION WARNING

### IMPORTANT SAFETY PRECAUTIONS:

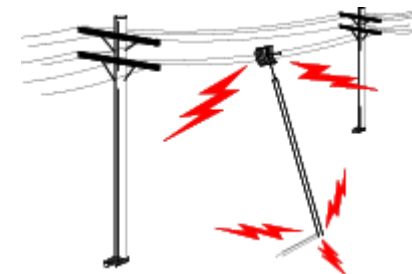
**LIVES MAY BE AT RISK!** Carefully observe these instructions and any special instructions that are included with the equipment you are installing.

**IMPORTANT:** Look over the site before beginning any installation, and anticipate possible hazards, especially these:

**CONTACTING POWER LINES CAN BE LETHAL.** Make sure no power lines are anywhere where possible contact can be made. Antennas, masts, towers, guy wires or cables may lean or fall and contact these lines. People may be injured or killed if they are touching or holding any part of equipment when it contacts electric lines. Make sure there is NO possibility that equipment or personnel can come in contact directly or indirectly with power lines.

Assume all overhead lines are power lines.

The horizontal distance from a tower, mast or antenna to the nearest power line should be at least twice the total length of the mast/antenna combination. This will ensure that the mast will not contact power if it falls either during installation or later.



### TO AVOID FALLING, USE SAFE PROCEDURES WHEN WORKING AT HEIGHTS ABOVE GROUND.

- Select equipment locations that will allow safe, simple equipment installation.
- Don't work alone. A friend or co-worker can save your life if an accident happens.
- Use approved non-conducting ladders and other safety equipment. Make sure all equipment is in good repair.
- If a tower or mast begins falling, don't attempt to catch it. Stand back and let it fall.
- If anything such as a wire or mast does come in contact with a power line, **DON'T TOUCH IT OR ATTEMPT TO MOVE IT.** Instead, save your life by calling the power company.
- Don't attempt to erect antennas or towers on windy days.

**MAKE SURE ALL TOWERS AND MASTS ARE SECURELY GROUNDED, AND ELECTRICAL CABLES CONNECTED TO ANTENNAS HAVE LIGHTNING ARRESTORS.** This will help prevent fire damage or human injury in case of lightning, static build-up, or short circuit within equipment connected to the antenna.

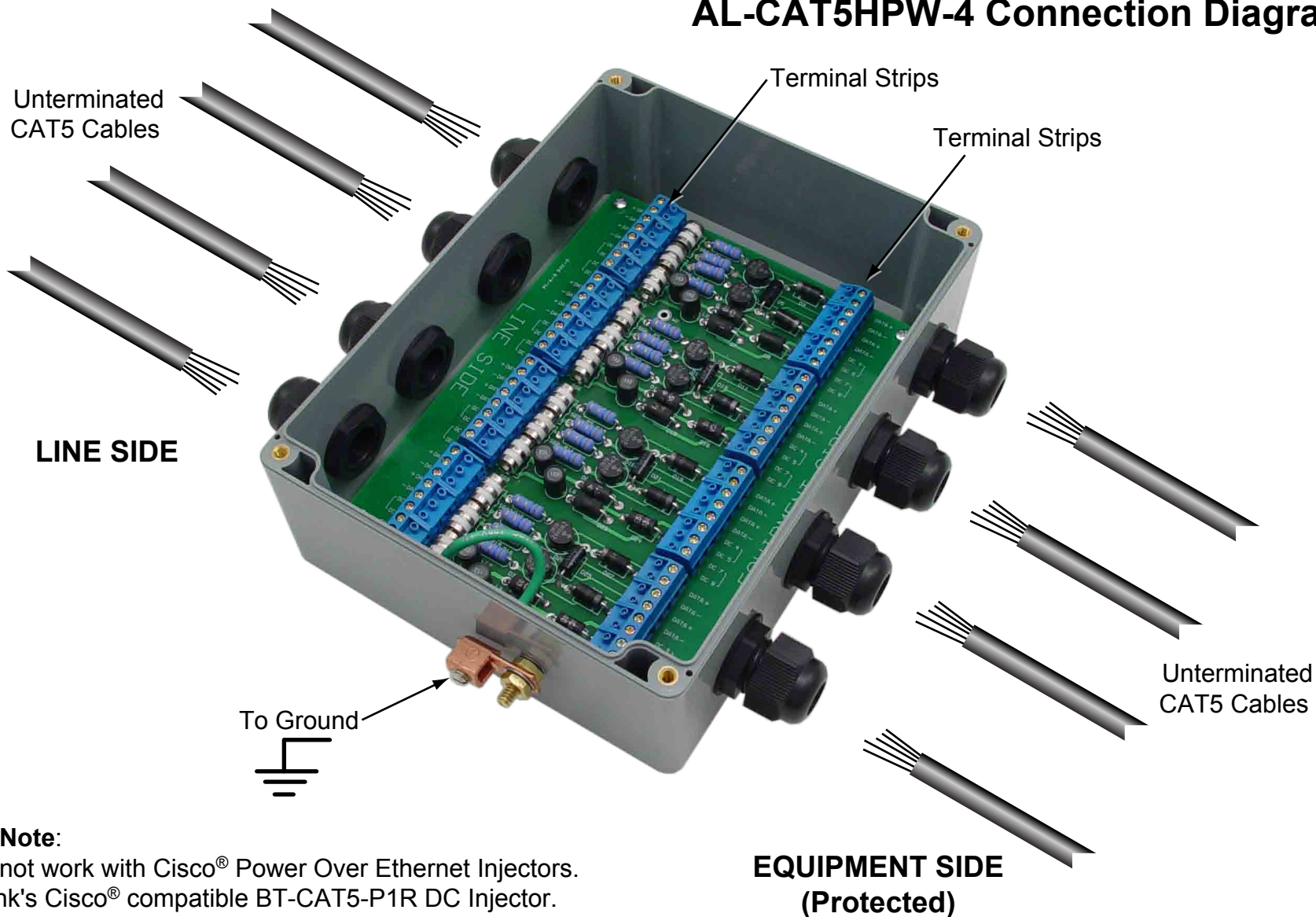
- The base of the antenna mast or tower must be connected directly to the building protective ground or to one or more approved grounding rods, using 1 O AWG ground wire and corrosion-resistant connectors.
- Refer to the National Electrical Code for grounding details.
- Lightning arrestors for antenna feed coaxial cables are available from HyperLink Technologies, Inc.

### IF A PERSON COMES IN CONTACT WITH ELECTRICAL POWER, AND CANNOT MOVE:

- **DON'T TOUCH THAT PERSON, OR YOU MAY BE ELECTROCUTED.**
- Use a non-conductive dry board, stick or rope to push or drag them so they no longer are in contact with electrical power.
- Once they are no longer contacting electrical power, administer CPR if you are certified, and make sure that emergency medical aid has been requested.

Copyright © This drawing is property of L-com Global Connectivity. All rights reserved.

## AL-CAT5HPW-4 Connection Diagram



### Application Note:

This unit will not work with Cisco® Power Over Ethernet Injectors. Use HyperLink's Cisco® compatible BT-CAT5-P1R DC Injector.

## AL-CAT5HPW-4 Installation Instructions

1. Install the data cable through the strain reliefs, strip back cable jackets as needed and terminate the data wires to the screw down terminal blocks (Pinouts located next to terminal strip). Terminal strips can be removed to ease wiring.

CAT5 Pinouts:

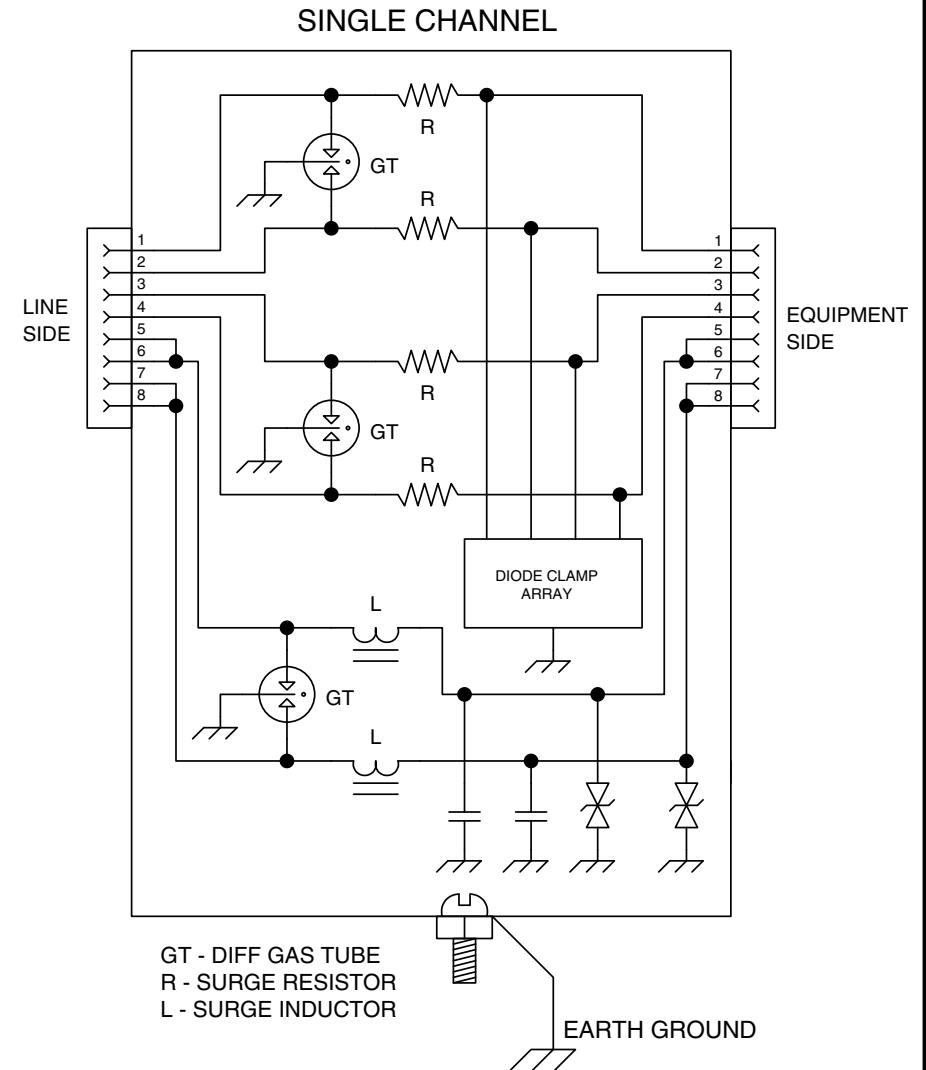
|              |
|--------------|
| 1 - Data 1 + |
| 2 - Data 1 - |
| 3 - Data 2 + |
| 6 - Data 2 - |
| 4 - DC 1     |
| 5 - DC 1     |
| 7 - DC 2     |
| 8 - DC 2     |

2. Adjust the cable inside the of the unit to ensure proper closing of cover, then secure by tightening strain reliefs onto cables.
3. Attach cover using the provided hardware.
4. To ensure proper operation of suppressor, install an earth ground to the external ground lug on the unit.

### Application Note:

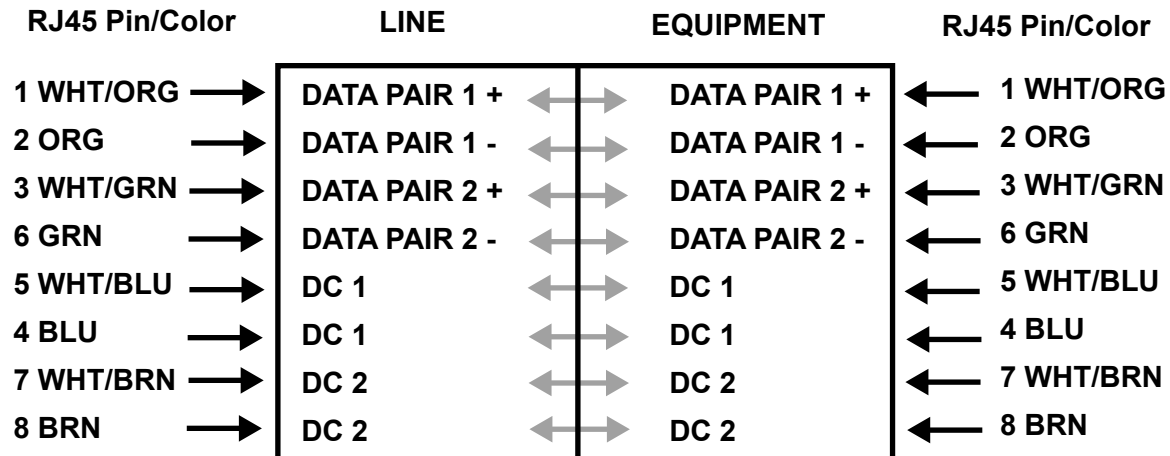
This unit will not work with Cisco® Power Over Ethernet Injectors.

We recommend HyperLink Technologies' Cisco® compatible BT-CAT5-P1R DC Injector.



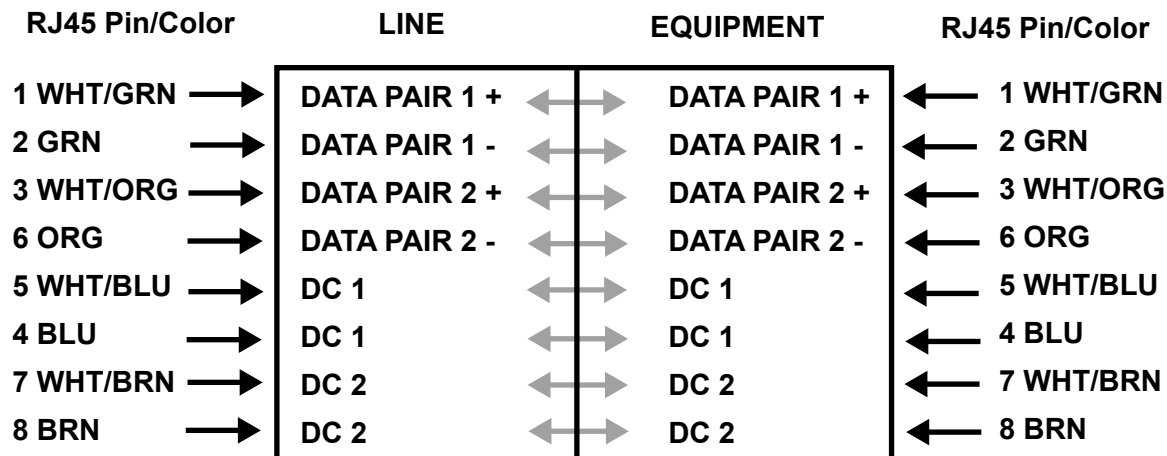
### CAT5 (EIA 568-B) Cable

### CAT5 Cable Reference



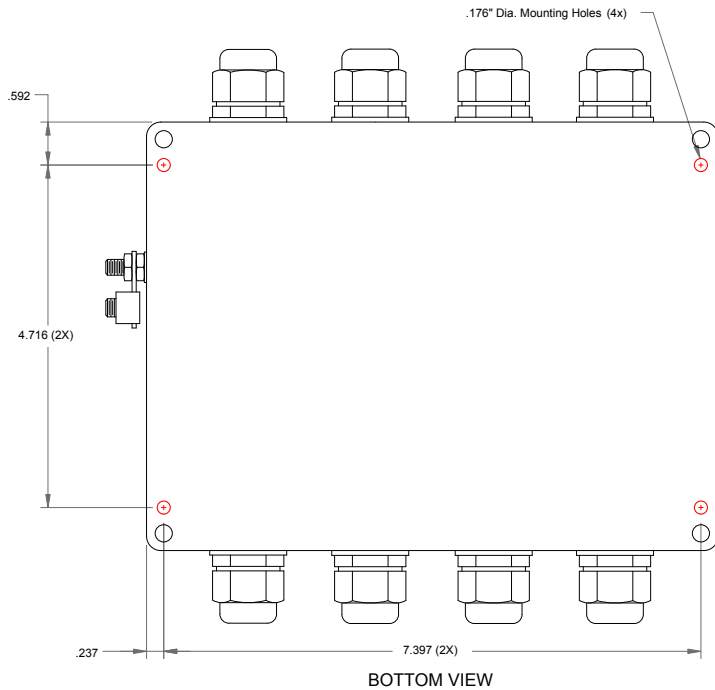
AL-CAT5HPW-4 Lightning Protector

### CAT5 (EIA 568-A) Cable

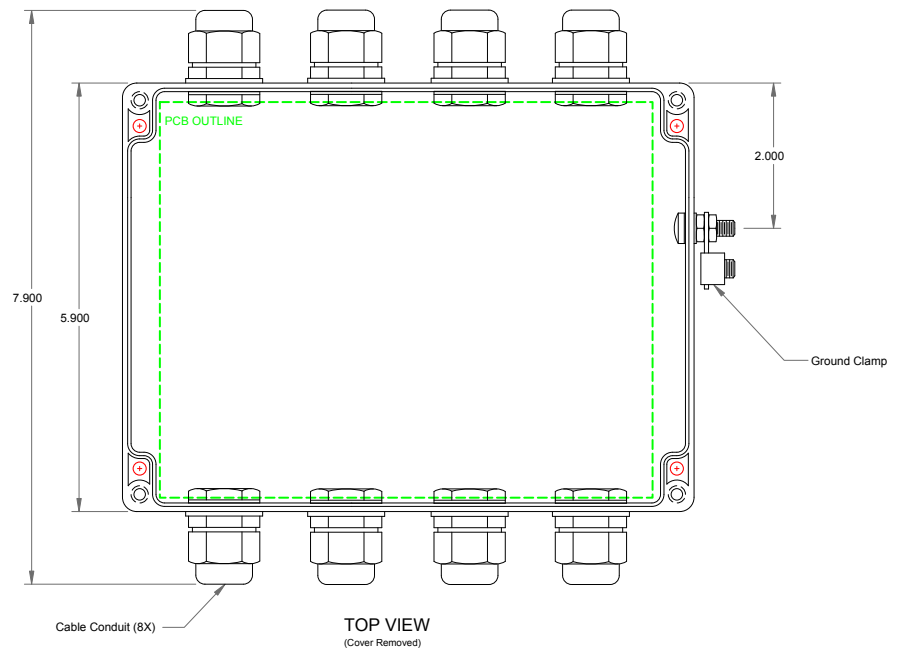
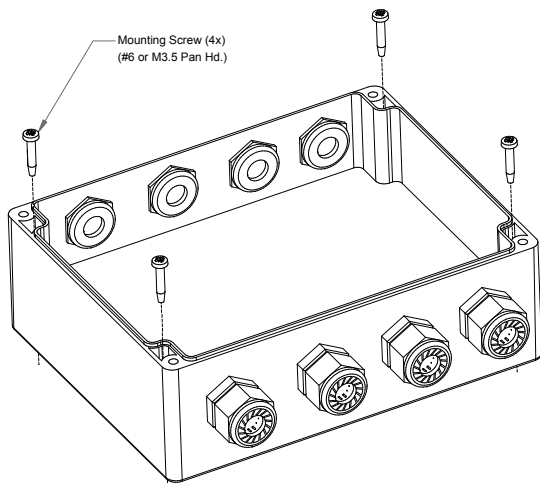


AL-CAT5HPW-4 Lightning Protector

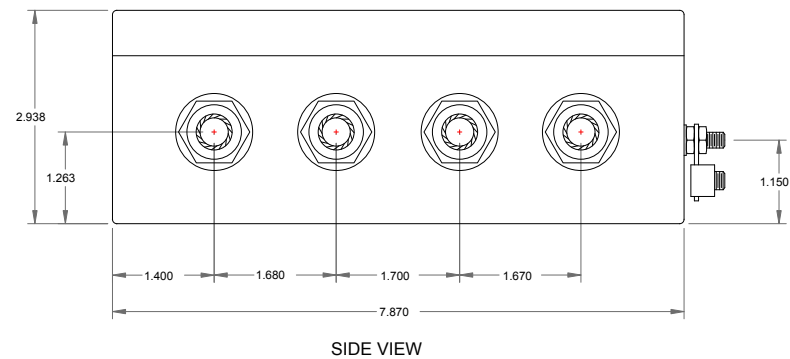
# AL-CAT5HPW-4 Dimensions



BOTTOM VIEW



TOP VIEW  
(Cover Removed)



SIDE VIEW