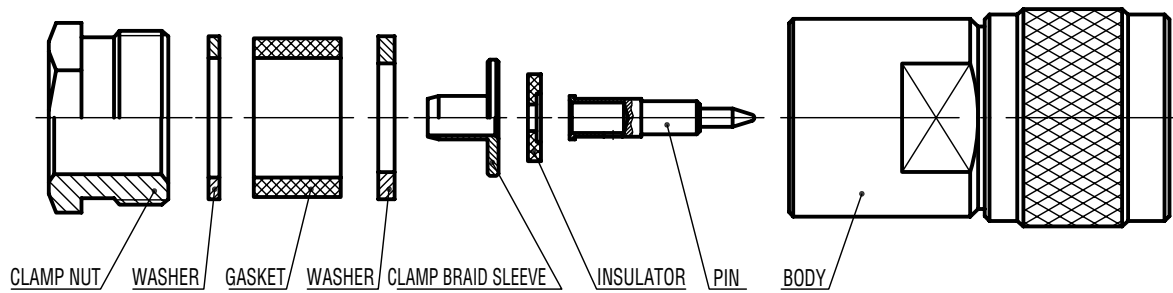
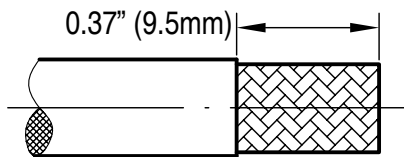


## Installation Instructions - Model: ANM-2400

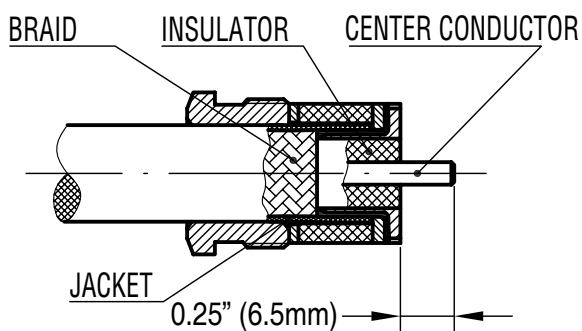


(Fig. 1)

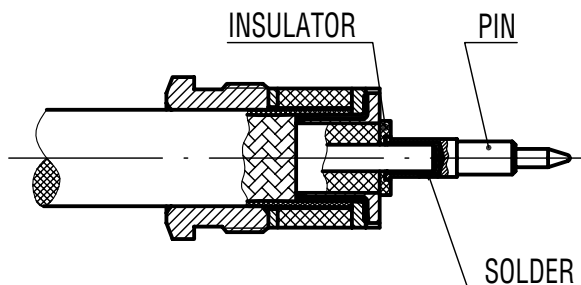


Cable Type: CA-400 / LMR®-400

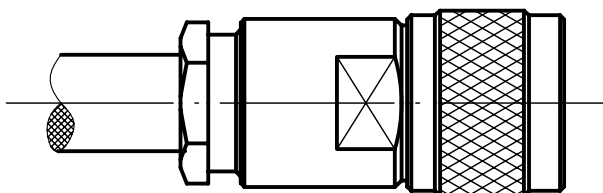
(Fig. 2)



(Fig. 3)



(Fig. 4)



1. Trim cable to dimension shown.

2. Slide the clamp nut, the washer and the gasket onto the cable. Slide the washer over the braid, then slide the clamp braid sleeve into the cable. Fold back braid and trim off excess braid. Trim back dielectric as shown.

3. Slide the insulator onto the inner conductor. Solder the cable inner conductor into the center contact.

4. Screw sub-assembly into the connector body.