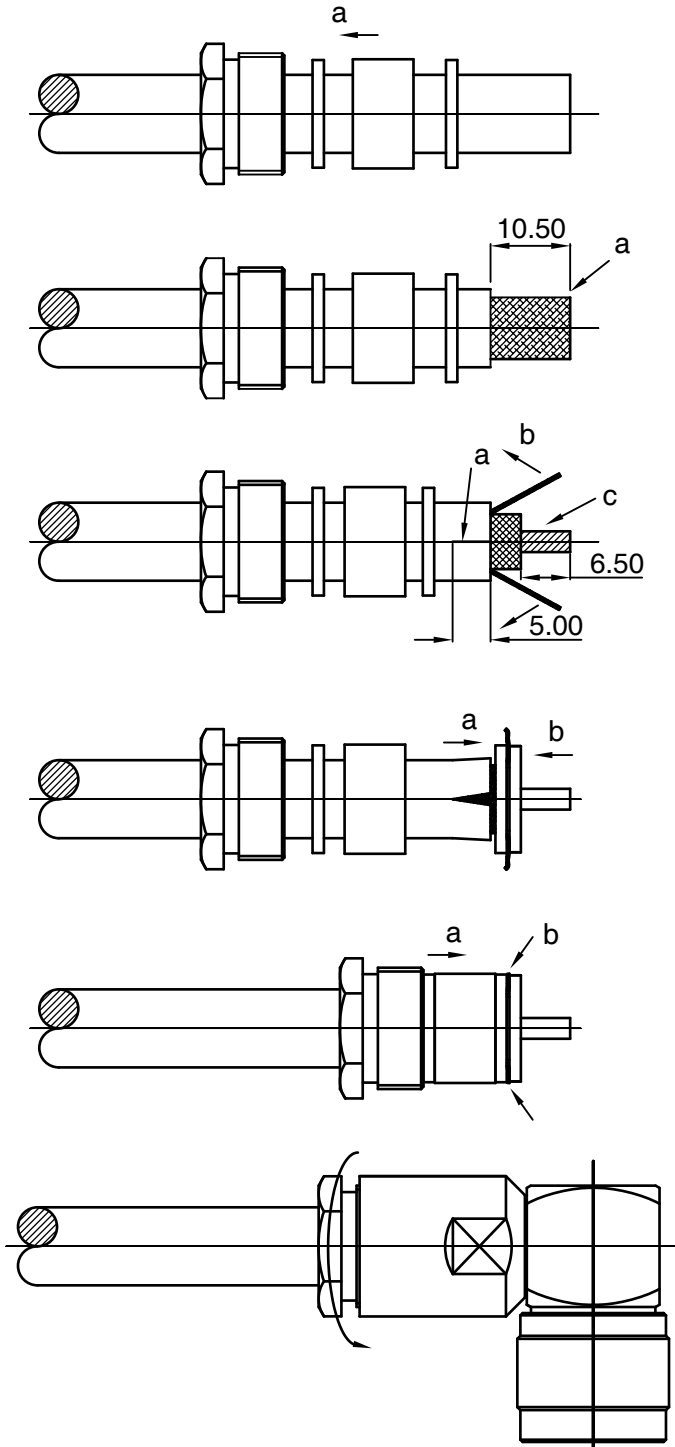
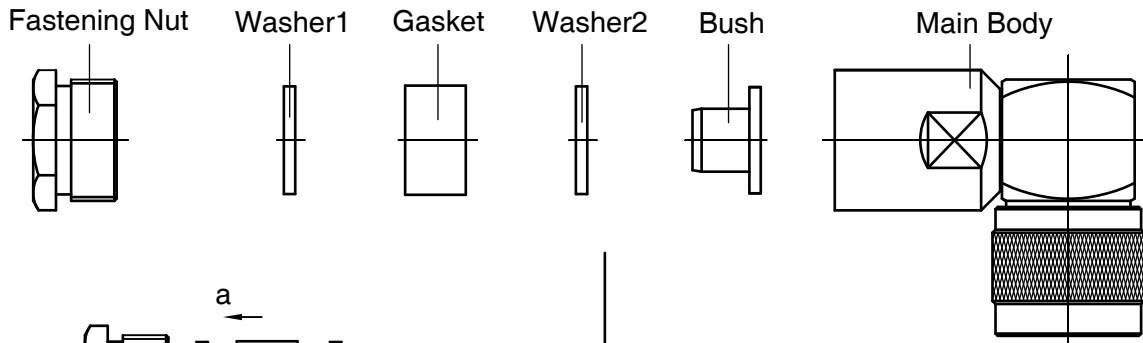


CABLE ASSEMBLY INSTRUCTIONS

Part #ANM-2402



STEP 1

- a. Slide the Fastening Nut, Washer1 (thinner), Gasket, Washer2 (thicker) onto the cable in order as show.

STEP 2

- a. Strip the cable's jacket according to the dimensions as shown.

STEP 3

- a. Cut a incision on the cable's jacket according to the dimensions.
- b. Fan the braid.
- c. Strip the cable's dielectric according to the dimensions.

STEP 4

- a. Move the Washer2 (thicker) onto the cable's braid.
- b. Push the Bush into the cable until the bottom flush with the cable's dielectric (keep the Washer2 still).

STEP 5

- a. Slide the Gasket, Washer1 (thinner) and Fastening Nut until they stops (keep the Bush still).
- b. Cut the excess of braid.

STEP 6

- a. Screw the Fastening Nut into the Main Body with wrench.