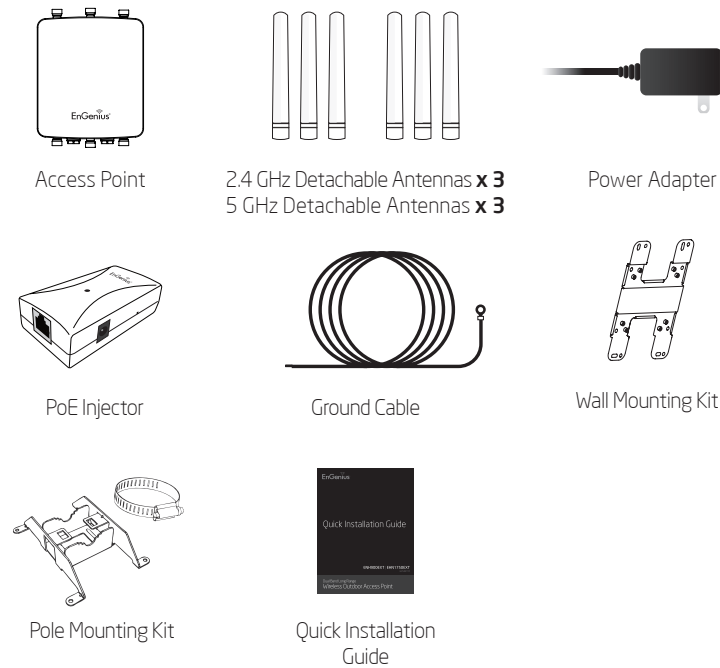


Quick Installation Guide

ENH900EXT | ENH1750EXT
version 1.0

Dual Band, Long Range
Wireless Outdoor Access Point

Package Contents



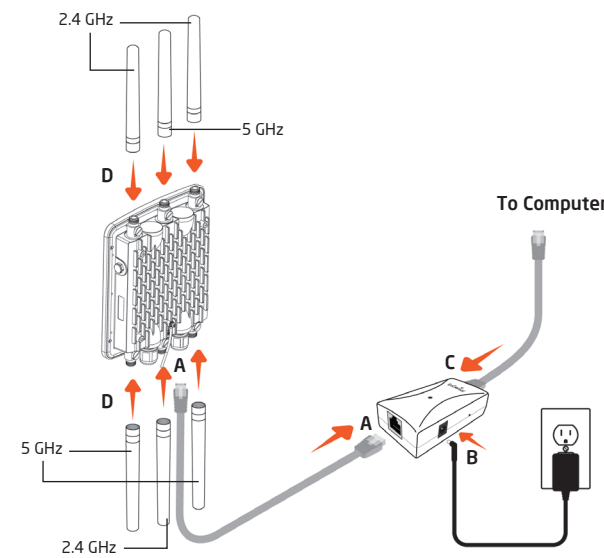
Minimum Requirements

- Broadband Internet Service (Cable or DSL Modem)
- Internet Browser (Internet Explorer, Safari, Firefox, Chrome)

1 Connecting the Access Point

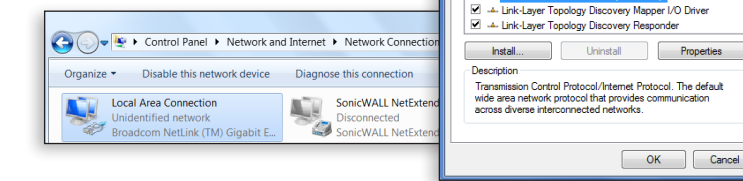
- Connect one end of the Ethernet cable into the **main LAN port (PoE)** of the Access Point and the other end to the **AP Ethernet port** on the PoE injector.
- Connect the **Power Adapter** to the **DC-IN** port of the PoE injector and plug the other end in to an electrical outlet.
- Connect the second Ethernet cable into the **LAN port** of the PoE injector and the other end to the Ethernet port on the computer.
- Screw on the provided antennas to the device as shown in illustration below.

Note: The Access Point supports both IEEE 802.3at PoE (Power over Ethernet) or the included power injector. You may use either one as the power source. **DO NOT** use both at the same time.

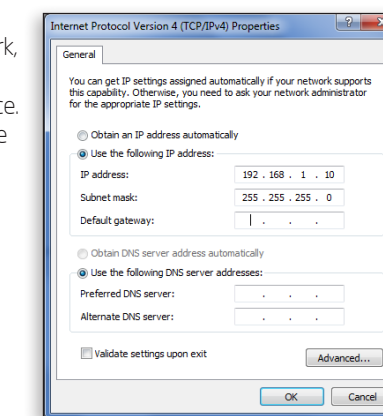


2 IP Address Configuration

- Once your computer is on, ensure that your TCP/IP is set to **On** or **Enabled**. Open **Network Connections** and then click **Local Area Connection**. Select **Internet Protocol Version 4 (TCP/IPv4)** and then click on the **Properties** button.

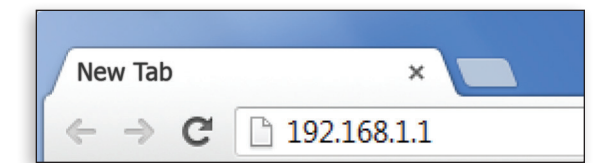


- If your PC is already on a network, ensure that you have set it to a **Static IP Address** on the interface. (Example: 192.168.1.10 and the Subnet Mask address as 255.255.255.0).

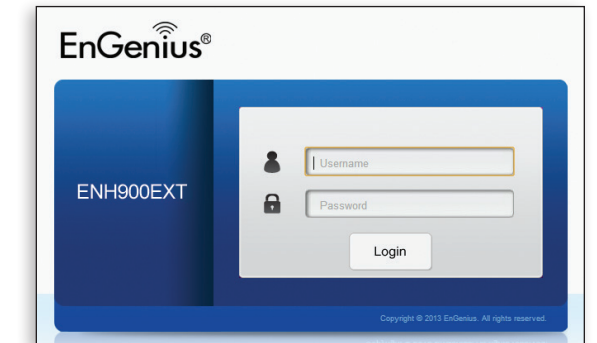


3 Access Point Setup

- To configure the Access Point, open a web browser. In the address bar of the web browser, enter **192.168.1.1** and hit enter.



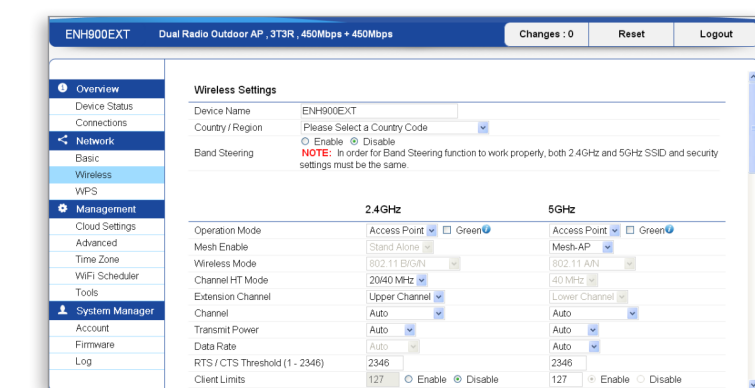
- A login screen will appear. By default, the username of the Access Point is **admin** and the password is **admin**. Enter the current username and password of the Access Point and then click **Login**.



* Your model number may be different in the web browser interface.

4 Switching Modes

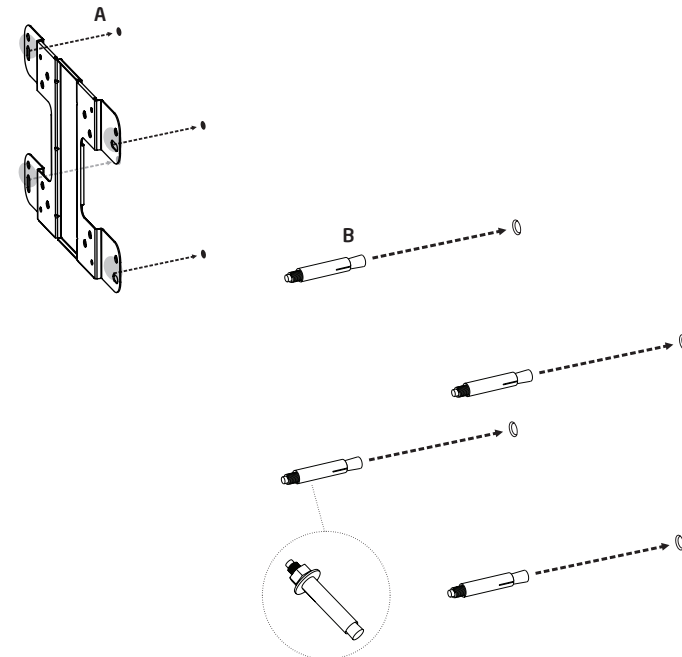
- This device can operate in the following modes: **Access Point**, **Mesh** and **WDS**.
- Select the **Operation Mode** under **"Network"**, **"Wireless"** tab.



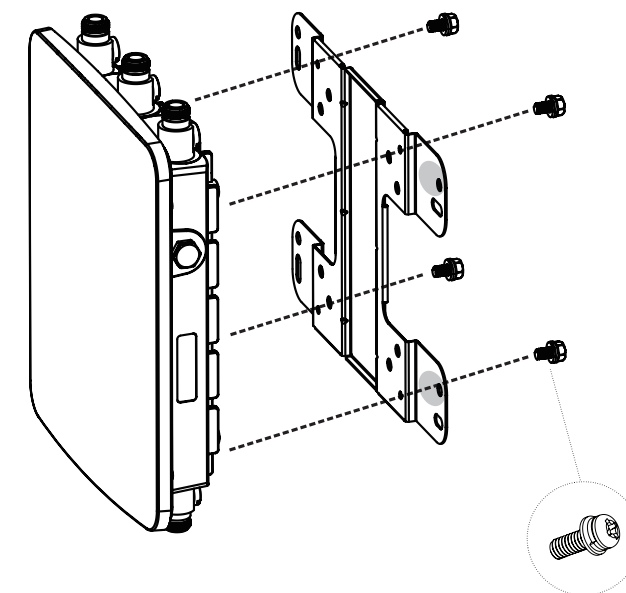
- Click on the **Save** button after you have modified the setting. Click the **Changes** button, then click **Apply** button to apply all changes you have made.

Wall Mounting The AP

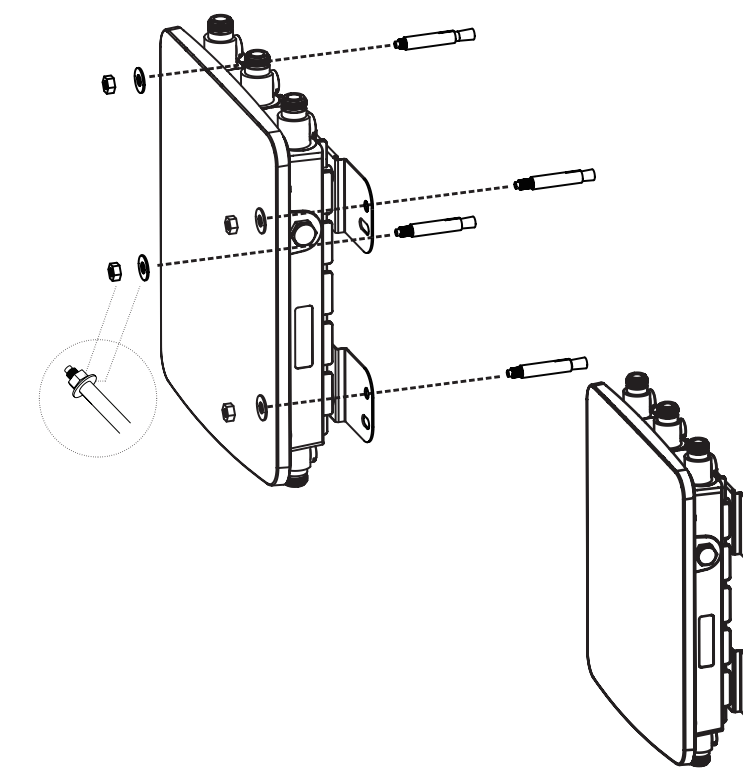
- Mark the four locations of the mounting holes on the flat mounting surface.
- Drill a 37mm deep 8mm hole in the markings and hammer the bolts into the openings.



- Place the lock and flat washers on the four hex cap screws and drive the screws to attach bracket to the back of the Access Point.

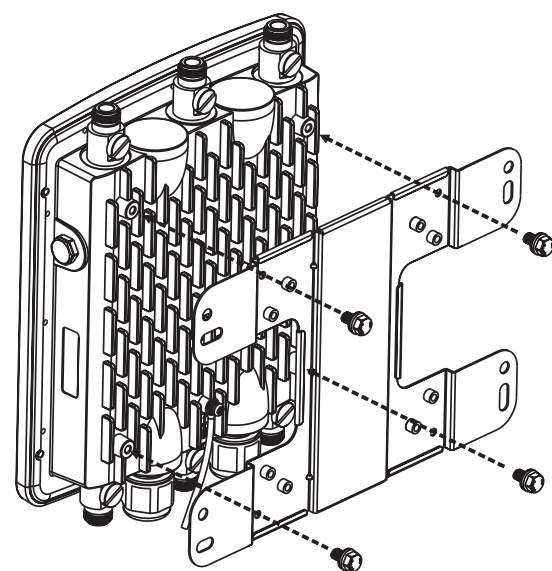


- Tighten the flat washers to secure the bracket to the mounting surface.

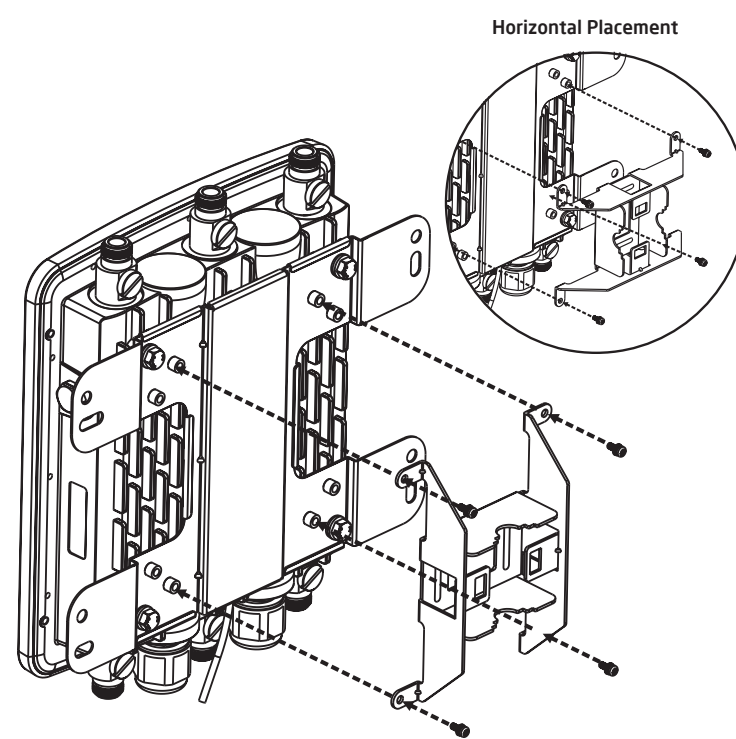


Pole Mounting The AP

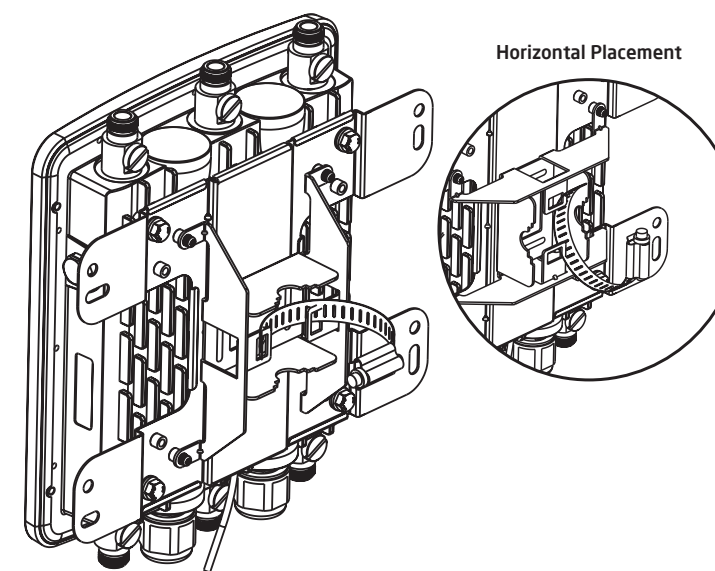
- Place the lock and flat washers on the four hex cap screws and drive the screws to attach bracket to the back of the Access Point.



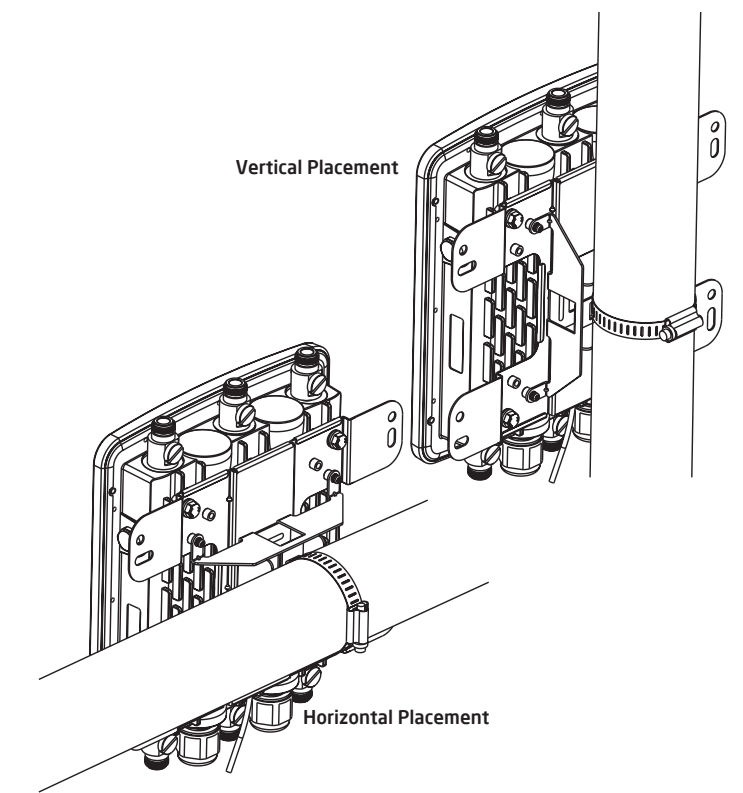
- Drive the four round head screws to attach the Pole Mount Bracket to the bracket.



- Thread the open end of the Pole Strap through the two tabs on the Pole Mount Bracket.



- Lock and tighten Pole Strap to secure Pole Mount Bracket to the pole.



Technical Support

Country of Purchase	Service Center	Service Information
North America www.engeniuscanada.com	Canada	rma@engeniuscanada.com Toll Free: (+1) 888 397 2788 Local: (+1) 905 940 8181
www.engenius-tech.com	Los Angeles, USA	support@engenius-tech.com Toll Free: (+1) 888 735 7888 Local: (+1) 714 432 8668
Central & South America es.engenius-tech.com pg.engenius-tech.com	Miami, USA	miamisupport@engenius-tech.com Miami: (+1) 305 887 7378 Sao Paulo, Brazil: (+55) 11 3957 0303 D.F. Mexico: (+52) 55 1163 8894
Europe www.engeniusnetworks.eu	Netherlands	support@engeniusnetworks.eu (+31) 40 8200 887
Africa CIS Middle East Russia www.engenius-me.com	Dubai, UAE	support@engenius-me.com Toll Free: U.A.E.: 800-EnGenius 800-364-364-87 General: (+971) 4 357 5599
Asia Oceania www.engenius-tech.com.sg	Singapore	www.engenius-tech.com.sg/e_warranty_form techsupport@engenius-tech.com.sg Toll Free: Singapore: 1800 364 3648
Others www.engeniusnetworks.com	Taiwan, R.O.C	technology@senao.com

Notes